

Terms and Conditions of Use

This drawing, including all information depicted herein (collectively, "Drawing"), is FUTEK's property and protected under applicable law, including copyright. FUTEK reserves all rights. The Drawing is provided solely for your information and exclusive use. **Except as expressly approved by FUTEK in writing, you may not reproduce or share this Drawing**, in whole or part, with any other firm or individual, or attempt to reverse engineer the Drawing or data contained therein. Any reproduction of this Drawing in whole or part must include this legend.

By accessing the Drawing, you agree that you have read, understand, and agree to abide by the stated Terms and Conditions of Use.

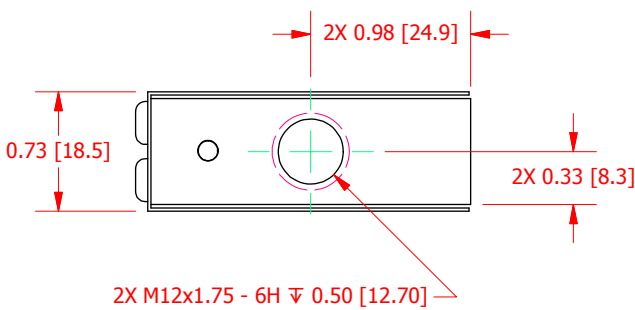
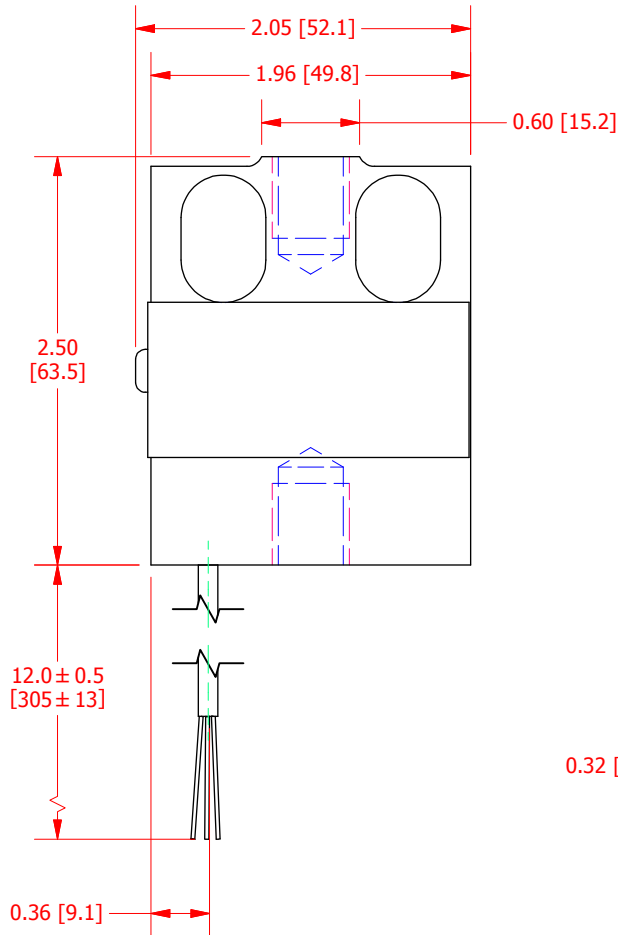
© 2023 FUTEK Advanced Sensor Technology, Inc.

FUTEK MODEL QLA409

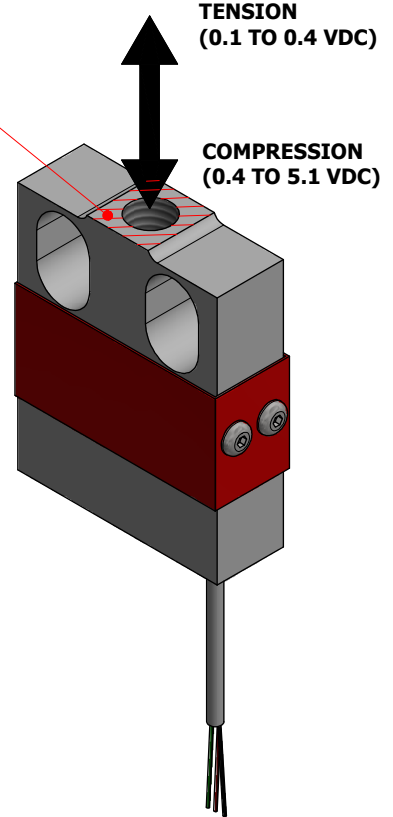
Custom Female Thread Mounted Load Cell

ITEM NUMBER: QSH01987

INCH [mm]		R.O.= Rated Output	
WIRING CODE			
Power Supply	Ground	+Signal Output	Shield
Red	Black	Green	Floating



LOADING SURFACE



SPECIFICATIONS:

RATED OUTPUT	0.1 - 5.1 VDC
CAPACITY	800 lb. [3552N]
SAFE OVERLOAD	150 % of R.O.
ZERO BALANCE	0.40 VDC
EXCITATION	12 - 24 VDC
MIN OUTPUT LOAD IMPEDANCE	650 Ω
POWER CONSUMPTION	0.5 W (max) with no load
-3dB BANDWIDTH	1 kHz
NONLINEARITY	±0.1% of R.O.
NONREPEATABILITY	±0.05% of R.O.
TEMP. SHIFT ZERO	±0.005% of R.O./°F (±0.009 of R.O./°C)
TEMP. SHIFT SPAN	±0.01% of LOAD/°F (±0.018 of LOAD/°C)
COMPENSATED TEMP.	60 to 160 °F (16 to 71 °C)
OPERATING TEMP	-22 to 185 °F (-30 to 85 °C)
MATERIAL	17-4 PH Stainless Steel
CABLE:	28 AWG, Braided Shielded PVC, 1 ft [0.3 m] Long
RoHS 2011/65/EU Compliant	

CUSTOMER APPROVAL- COMPANY:

CUSTOMER APPROVAL- NAME / DATE:

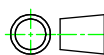
REVISIONS: (Refer to dwg # revision sheet)

OUTLINE DRAWING

STANDARD NOTES: (Unless Otherwise Specified)

ALL DIMENSIONS ARE IN INCHES
 DRAWING INTERPRETATION DIMS. PER ASME-Y14.5
 REMOVE BURRS AND BREAK SHARP EDGES .005 - .015
 THREADS PER HANDBOOK H-28
 DIMENSIONS ARE SHOWN AFTER PLATING

3rd ANGLE PROJ.



ANGLE:
± 1/2°

CHAMFER:
± 5°

TOLERANCE:
 .X ± 0.1"
 .XX ± 0.01"
 .XXX ± 0.005"

This drawing, including all information depicted herein (collectively, "Drawing"), is FUTEK's property and protected under applicable law, including copyright. FUTEK reserves all rights. The Drawing is provided solely for your information and exclusive use. Except as expressly approved by FUTEK in writing, you may not reproduce or share this Drawing in whole or part, with any other firm or individual, or attempt to reverse engineer the Drawing or data contained therein. Any reproduction of this Drawing in whole or part must include this legend.

FUTEK

MODEL: QLA409	DWG No.: FO1462
DRAWN BY: S. MICHEL	CREATED DATE: 5/4/2018
APPROVED BY: R. WALKER	APPROVED DATE: 5/7/2018
CHECKED BY:	CAGE: 1X8M6 SHEET: 1 OF 1