

Terms and Conditions of Use

This drawing, including all information depicted herein (collectively, "Drawing"), is FUTEK's property and protected under applicable law, including copyright. FUTEK reserves all rights. The Drawing is provided solely for your information and exclusive use. **Except as expressly approved by FUTEK in writing, you may not reproduce or share this Drawing**, in whole or part, with any other firm or individual, or attempt to reverse engineer the Drawing or data contained therein. Any reproduction of this Drawing in whole or part must include this legend.

By accessing the Drawing, you agree that you have read, understand, and agree to abide by the stated Terms and Conditions of Use.

© 2023 FUTEK Advanced Sensor Technology, Inc.

FUTEK MODEL QLA424

NANO LOAD BUTTON

ITEM NUMBER: QSH02214

INCH [mm] | R.O.= Rated Output

WIRING CODE

+ Excitation	- Excitation	-Signal	+Signal
RED PIN A	BLACK PIN B	WHITE PIN C	GREEN PIN D

+OUTPUT
(COMPRESSION)

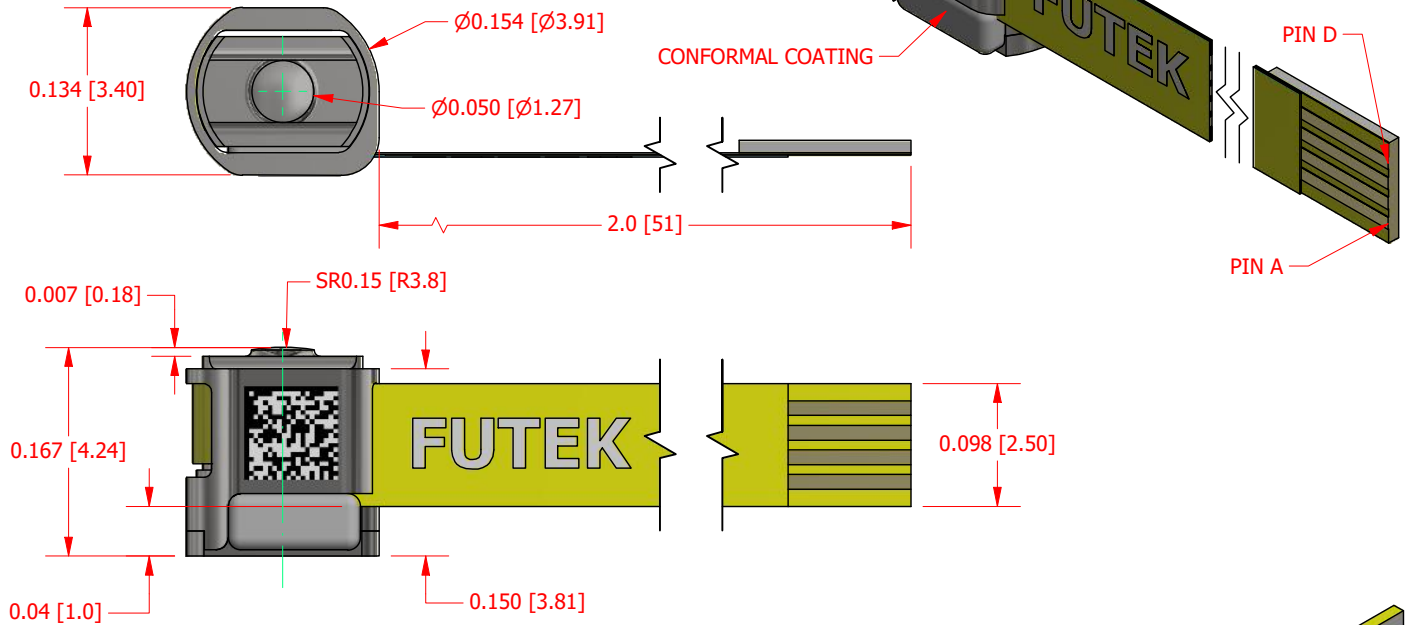
DO NOT LOAD
ON ENCLOSURE

QR CODE - CONTAINS S/N

CONFORMAL COATING

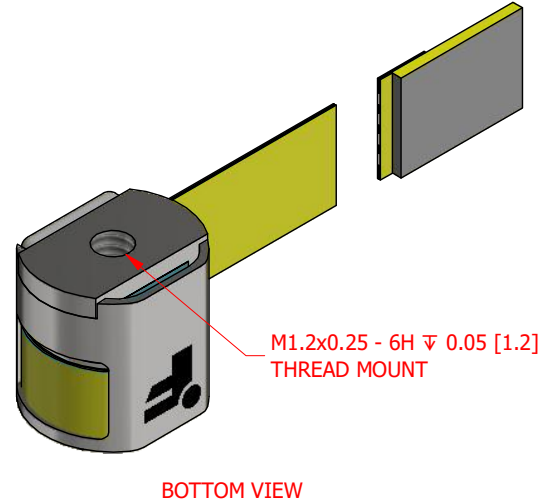
PIN D

PIN A



SPECIFICATIONS:

RATED OUTPUT	1.5 mV/V nom.
CAPACITY	30 lb
SAFE OVERLOAD	150 % of R.O.
EXCITATION (VDC OR VAC)	2V (5V MAX*)
BRIDGE RESISTANCE	1000 Ω nom.
NONLINEARITY	$\pm 0.5\%$ of R.O.
HYSTERESIS	$\pm 0.5\%$ of R.O.
TEMP. SHIFT ZERO	$\pm 0.02\%$ of R.O./ $^{\circ}$ F (± 0.036 of R.O./ $^{\circ}$ C)
TEMP. SHIFT SPAN	$\pm 0.02\%$ of LOAD/ $^{\circ}$ F (± 0.036 of LOAD/ $^{\circ}$ C)
COMPENSATED TEMP.	60 to 160 $^{\circ}$ F (16 to 71 $^{\circ}$ C)
OPERATING TEMP	-60 to 200 $^{\circ}$ F (-51 to 93 $^{\circ}$ C)
WEIGHT (approx)	0.001 lb [0.5 g]
MATERIAL	17-4 PH S.S.
DEFLECTION	0.0002 [0.005] nom.
CABLE: 4 Pin, 0.5 mm pitch, 2' flex	
*2V EXC RECOMMENDED / 5V MAX (REQUIRES WARM UP)	



BOTTOM VIEW

M1.2x0.25 - 6H ∇ 0.05 [1.2]
THREAD MOUNT

CUSTOMER APPROVAL- COMPANY:

CUSTOMER APPROVAL- NAME / DATE:

REVISIONS: (Refer to dwg # revision sheet)

OUTLINE DRAWING

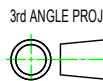
STANDARD NOTES: (Unless Otherwise Specified)

ALL DIMENSIONS ARE IN INCHES
DRAWING INTERPRETATION DIMS. PER ASME-Y14.5
REMOVE BURRS AND BREAK SHARP EDGES .005 - .015
THREADS PER HANDBOOK H-28
DIMENSIONS ARE SHOWN AFTER PLATING

ANGLE:
 $\pm 1/2^{\circ}$

CHAMFER:
 $\pm 5^{\circ}$

TOLERANCE:
.X $\pm 0.1^{\circ}$
.XX $\pm 0.01^{\circ}$
.XXX $\pm 0.005^{\circ}$



This drawing, including all information depicted herein (collectively, "Drawing"), is FUTEK's property and protected under applicable law, including copyright. FUTEK reserves all rights. The Drawing is provided solely for your information and exclusive use. Except as expressly approved by FUTEK in writing, you may not reproduce or share this Drawing in whole or part, with any other firm or individual, or attempt to reverse engineer the Drawing or data contained therein. Any reproduction of this Drawing in whole or part must include this legend.

FUTEK

MODEL: **QLA424**

DWG No.: **FO1536-0**

DRAWN BY: M. LISIAK

CREATED DATE: 7/27/2021

APPROVED BY: S. VOSOUGH

APPROVED DATE: 2/4/2022

CHECKED BY:

CAGE: 1X8M6 SHEET: 1 OF 1