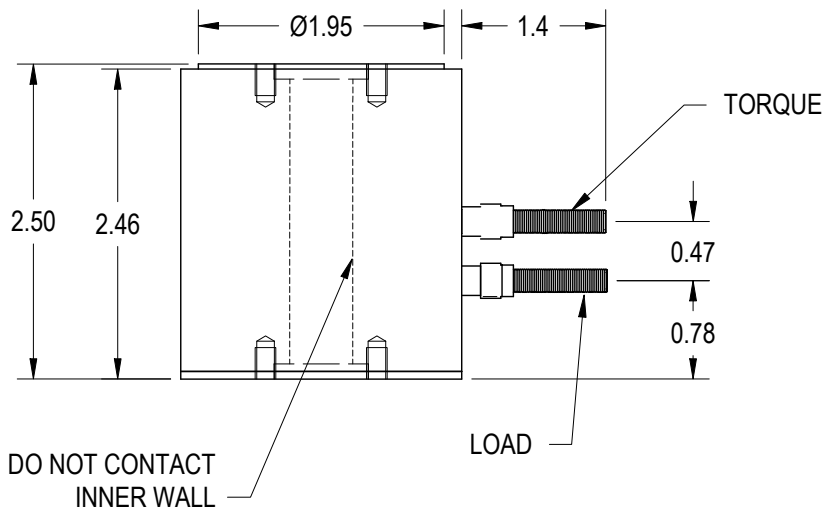
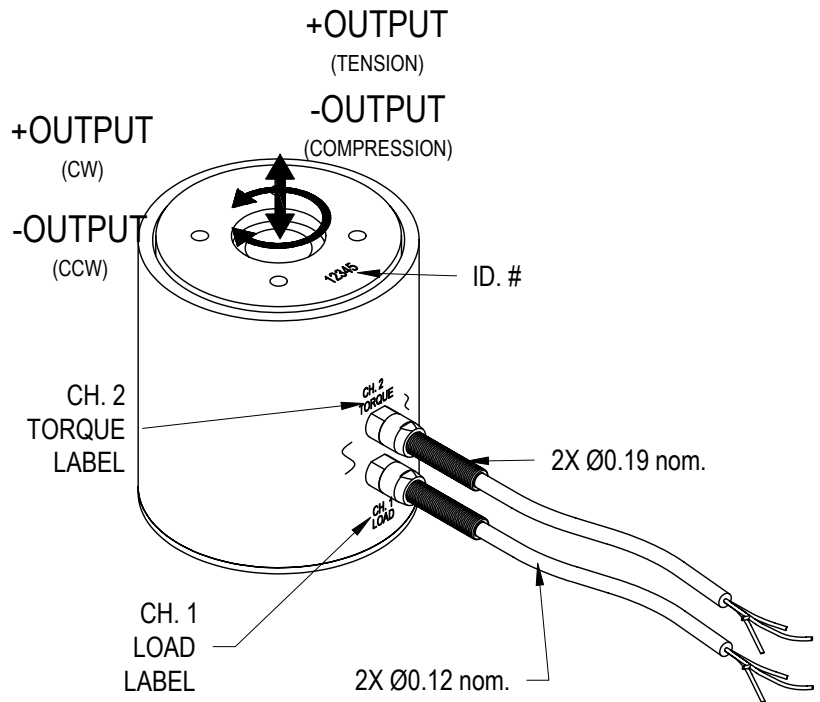
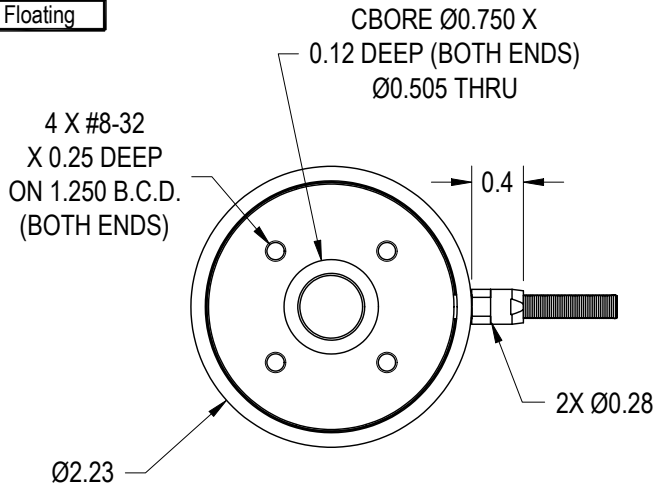


FUTEK MODEL QMA112 TORQUE AND THRUST THRU HOLE BI-AXIAL SENSOR

STOCK NUMBER: QSH00980

INCH (mm)		R.O.= Rated Output	
WIRING CODE			
+Excitation	-Excitation	+Signal	-Signal
RED	BLACK	GREEN	WHITE
Shield			
Floating			



SPECIFICATIONS:

Mz and Fz

RATED OUTPUT	2 mV/V nom.
CAPACITY (FZ)	100 lb
CAPACITY (MZ)	50 in-lb
SAFE OVERLOAD	150% of R.O.
ZERO BALANCE	±3% of R.O.
EXCITATION (VDC OR VAC)	18 MAX
BRIDGE RESISTANCE	350 Ω nom.
NONLINEARITY	±0.25% of R.O.
HYSTERESIS	±0.25% of R.O.
NONREPEATABILITY	±0.05% of R.O.
TEMP. SHIFT ZERO	±0.005% of R.O./°F
TEMP. SHIFT SPAN	±0.005% of LOAD/°F
COMPENSATED TEMP.	60 to 160°F
OPERATING TEMP.	-45 to 200°F
MATERIAL	ALUMINUM
CABLE: #28 AWG, 4 Conductor, Braided Shielded PVC Cable, 10 ft [3 m] Long	

MATERIAL:

—

HEAT TREATMENT - FINISH:

—

REVISIONS: (Refer to dwg # revision sheet)

△ -

OUTLINE DRAWING

STANDARD NOTES: (Unless Otherwise Specified)

- ALL DIMENSIONS ARE IN INCHES
- DRAWING INTERPRETATION DIMS. PER ASME-Y14.5M
- REMOVE BURRS AND BREAK SHARP EDGES .005 - .015
- THREADS PER HANDBOOK H-28
- DIMENSIONS ARE SHOWN AFTER PLATING

ANGLE:
±1/2°

CHAMFER:
±5°

TOLERANCE:
.X ±0.1
.XX ±0.01
.XXX ±0.005

3rd ANGLE PROJ.



This drawing is submitted solely for the information and exclusive use of the original addressee. It is not to be divulged in whole or in part, by any firm or individual without written permission from:

FUTEK
ADVANCED SENSOR TECHNOLOGY, INC.

10 THOMAS
IRVINE, CA 92618 USA
Phone: (949) 465-0900
Fax: (949) 465-0905

CAGE: 1X8M6

MODEL: QMA112

DWG No.: FO1188

DRAWN BY: R. WALKER

CHECKED BY: -

APPROVED BY: J.V.M

DATE: Aug 21, 2007