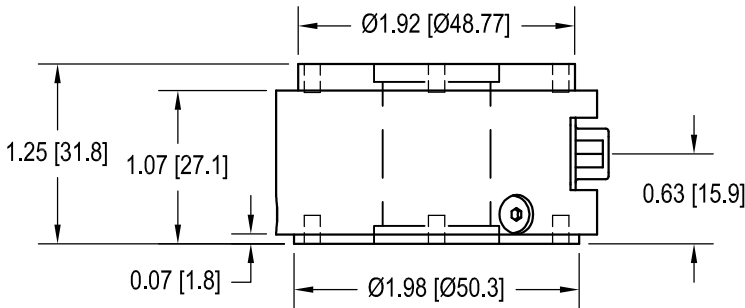
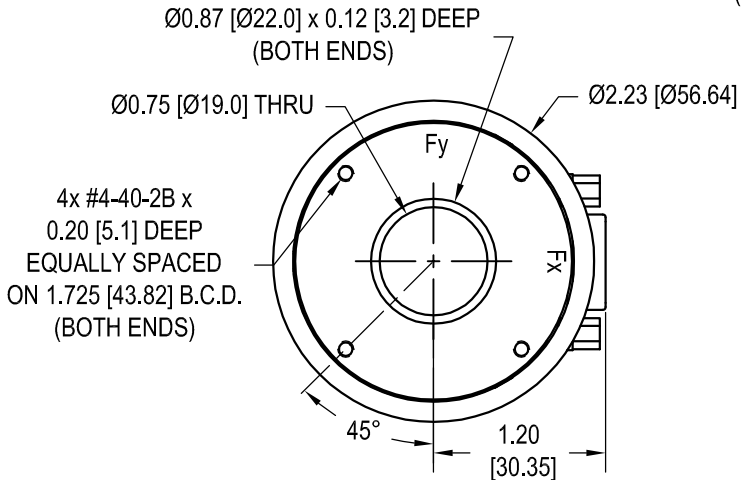
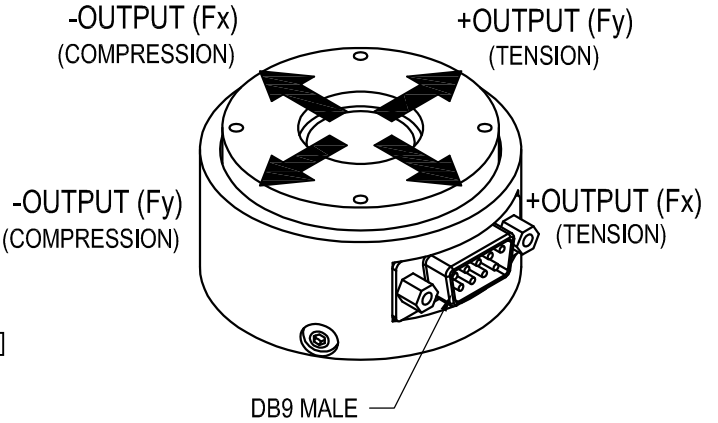


FUTEK MODEL QMA125

CUSTOM DUAL AXIS LOADCELL WITH THROUGH HOLE

ITEM NUMBER: QSH01347

INCH [mm]		R.O.= Rated Output	
CONNECTOR CODE			
+EXC (Fx)	+SIG (Fx)	-SIG (Fx)	-EXC (Fx)
PIN 1	PIN 2	PIN 3	PIN 4
+EXC (Fy)	+SIG (Fy)	-SIG (Fy)	-EXC (Fy)
PIN 6	PIN 7	PIN 8	PIN 9



SPECIFICATIONS:

RATED OUTPUT	0.25 mV/V nom.
CAPACITY	45 lb (200 N)
SAFE OVERLOAD	300% of R.O.
ZERO BALANCE	±5% of R.O.
EXCITATION (VDC OR VAC)	15 MAX
BRIDGE RESISTANCE	350 Ω nom
NONLINEARITY	±1% of R.O.
HYSTERESIS	±1% of R.O.
NONREPEATABILITY	±0.25% of R.O.
TEMP. SHIFT ZERO	±0.02% of R.O./°F (0.036% of R.O./°C)
TEMP. SHIFT SPAN	±0.01% of LOAD/°F (0.018% of LOAD/°C)
COMPENSATED TEMP.	60 to 160°F (15 to 72°C)
OPERATING TEMP.	0 to 200°F (-18 to 93°C)
WEIGHT	approx 0.35 lb
△ MATERIAL (COVER)	Red Anodized Aluminum
CONNECTOR: D Subminiature 9 Pin Male (DB9)	

CUSTOMER APPROVAL-COMPANY
CUSTOMER APPROVAL-NAME /DATE
REVISIONS: (Refer to dwg # revision sheet) ▲ 5-26-11

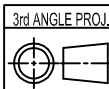
OUTLINE DRAWING

- STANDARD NOTES: (Unless Otherwise Specified)
- ALL DIMENSIONS ARE IN INCHES
 - DRAWING INTERPRETATION DIMS. PER ASME-Y14.5M
 - REMOVE BURRS AND BREAK SHARP EDGES .005 - .015
 - THREADS PER HANDBOOK H-28
 - DIMENSIONS ARE SHOWN AFTER PLATING
 - CRITICAL DIMENSION

ANGLE:
±1/2°

CHAMFER:
±5°

TOLERANCE:
 .X ±0.1"
 .XX ±0.01"
 .XXX ±0.005"
 .XXXX ±0.001"



This drawing is submitted solely for the information and exclusive use of the original addressee. It is not to be divulged in whole or in part, by any firm or individual without written permission from:

FUTEK
 ADVANCED SENSOR TECHNOLOGY, INC.
 10 THOMAS
 IRVINE, CA 92618 USA
 Phone: (949) 465-0900
 Fax: (949) 465-0905

CAGE: 1X8M6

MODEL: **QMA125**

DRAWN BY: R. WALKER

APPROVED BY: -

DWG No.: **FO1268-A**

ITEM No: **QSH00280**

DATE: **June 14, 2010**