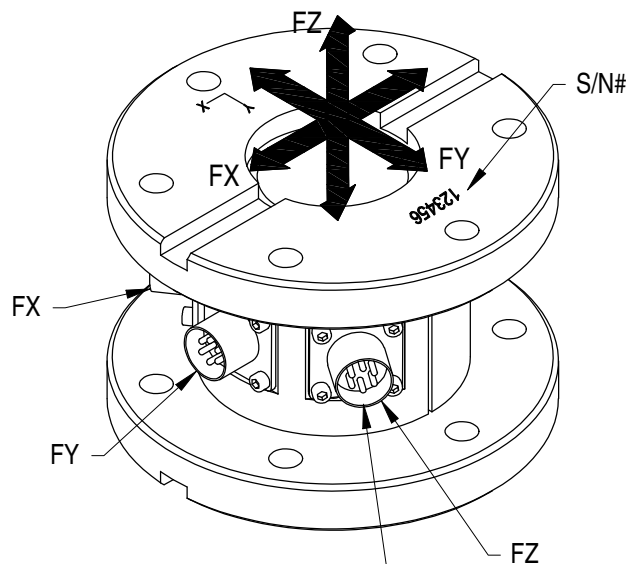
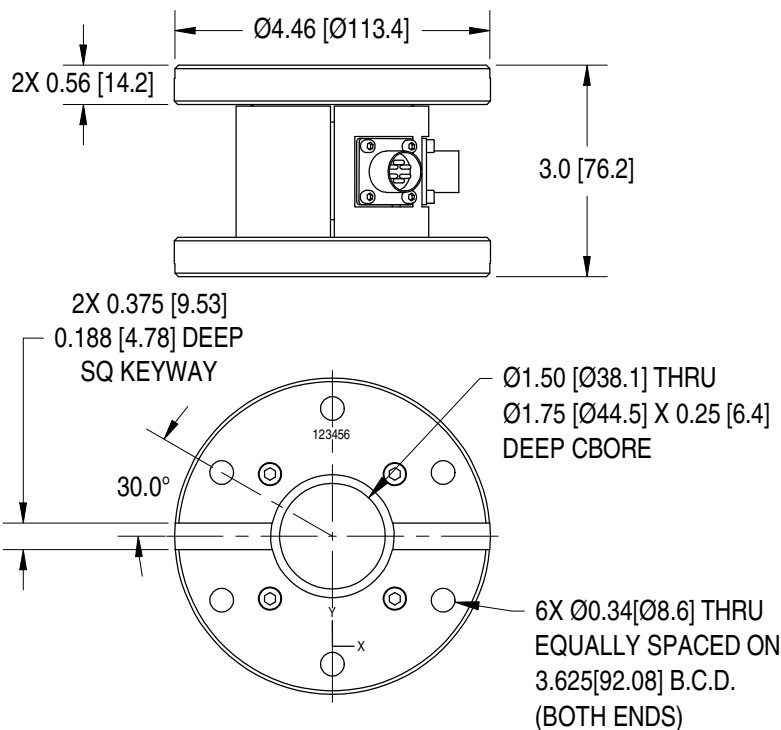


# FUTEK MODEL QMA129 Custom Flange to Flange Tri-Axial Load Cell

ITEM NUMBER: QSH01449

INCH [mm] R.O.= Rated Output

WIRING CODE			
+Excitation	-Excitation	+Signal	-Signal
PIN 'A'	PIN 'B'	PIN 'C'	PIN 'D'
+Sense	-Sense		
PIN 'E'	PIN 'F'		



BENDIX RECEPTACLE  
PT02A-10-6E  
MATING CONNECTOR  
PT06-10-64S-SR  
(NOT INCLUDED)

## SPECIFICATIONS:

RATED OUTPUT (Fx, Fy)	2.5 mV/V nom.
RATED OUTPUT (Fz)	1 mV/V nom.
CAPACITY	1213 lb
SAFE OVERLOAD	150% of R.O.
ZERO BALANCE	±3% of R.O.
EXCITATION (VDC OR VAC)	18 VDC MAX
BRIDGE RESISTANCE (Fx, Fy)	350 Ω nom
BRIDGE RESISTANCE (Fz)	700 Ω nom
NONLINEARITY (Fx, Fy)	±1% of R.O.
NONLINEARITY (Fz)	±2% of R.O.
NONREPEATABILITY	±0.5% of R.O.
TEMP. SHIFT ZERO	±0.005% of R.O./°F (0.009% of R.O./°C)
TEMP. SHIFT SPAN	±0.005% of LOAD/°F (0.009% of LOAD/°C)
COMPENSATED TEMP.	60 to 160°F (15 to 149°C)
OPERATING TEMP.	-60 to 200°F (-50 to 193°C)
MATERIAL	ALUMINUM 2024-T4
CONNECTOR: 6 Pin BENDIX Receptacle (PT02A-10-6E)	

CUSTOMER APPROVAL-COMPANY

CUSTOMER APPROVAL-NAME /DATE

REVISIONS: (Refer to dwg # revision sheet)

## OUTLINE DRAWING

STANDARD NOTES: (Unless Otherwise Specified)

- ALL DIMENSIONS ARE IN INCHES
- DRAWING INTERPRETATION DIMS. PER ASME-Y14.5M
- REMOVE BURRS AND BREAK SHARP EDGES .005 - .015
- THREADS PER HANDBOOK H-28
- DIMENSIONS ARE SHOWN AFTER PLATING

ANGLE:  
±1/2°

CHAMFER:  
±5°

TOLERANCE:  
.X ±0.1  
.XX ±0.01  
.XXX ±0.005

3rd ANGLE PROJ.



This drawing is submitted solely for the information and exclusive use of the original addressee. It is not to be divulged in whole or in part, by any firm or individual without written permission from:

**FUTEK**  
ADVANCED SENSOR TECHNOLOGY, INC.

10 THOMAS  
IRVINE, CA 92618 USA  
Phone: (949) 465-0900  
Fax: (949) 465-0905

CAGE: 1X8M6

MODEL: QMA129

DRAWN BY: A. Sata

APPROVED BY: R. Walker

DWG No.: FO1279

CHECKED BY: -

DATE: Oct. 28, 2010