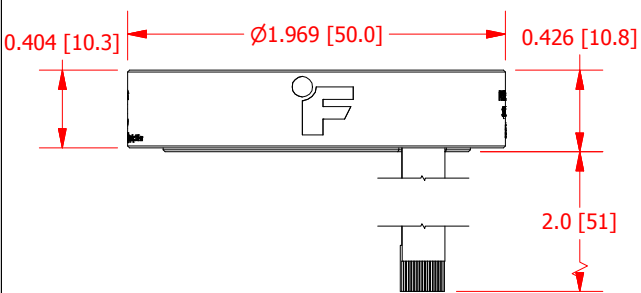
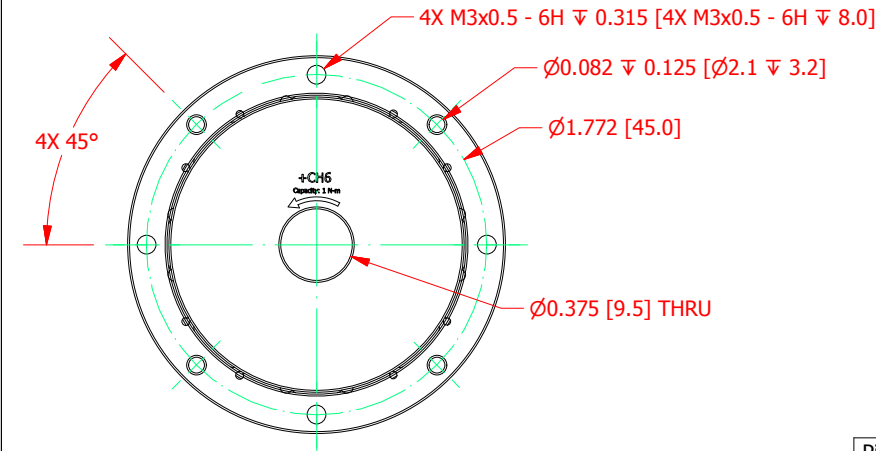
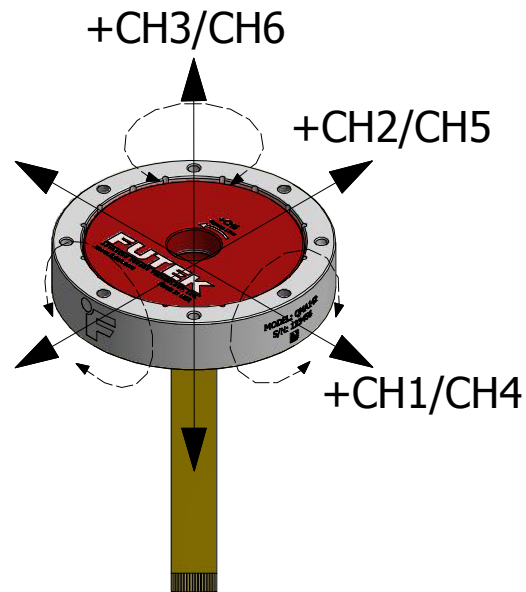


# FUTEK MODEL QMA142

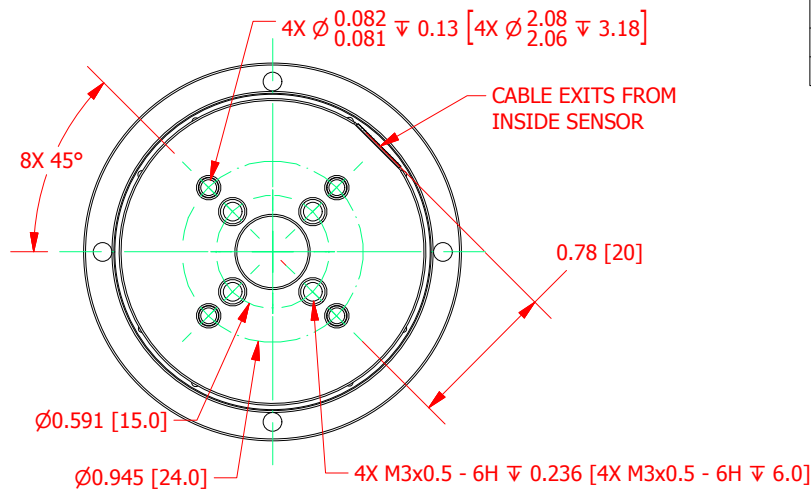
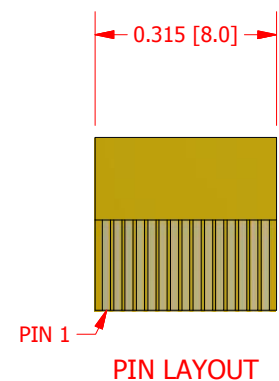
ITEM NUMBER: QSH01919

INCH [mm] R.O.= Rated Output

Specifications	CH1	CH2	CH3	CH4	CH5	CH6
Force/Torque	+Fx	+Fy	+Fz	+Mx	+My	+Mz
Rated Output	0.5 mV/V	0.5 mV/V	0.6 mV/V	1.4 mV/V	1.4 mV/V	2.4 mV/V
Capacity	15 N	15 N	15 N	1 N-m	1 N-m	1 N-m
Safe Overload	100 N	100 N	100 N	4 N-m	4 N-m	4 N-m
Bridge Resistance	1000 Ohm	1000 Ohm	1000 Ohm	1000 Ohm	1000 Ohm	2000 Ohm



Pin Position	Output
PIN 1	+Excitation
PIN 2	-Excitation
PIN 3	+Signal Ch1
PIN 4	-Signal Ch1
PIN 5	+Signal Ch2
PIN 6	-Signal Ch2
PIN 7	+Signal Ch3
PIN 8	-Signal Ch3
PIN 9	+Signal Ch4
PIN 10	-Signal Ch4
PIN 11	+Signal Ch5
PIN 12	-Signal Ch5
PIN 13	+Signal Ch6
PIN 14	-Signal Ch6
PIN 15	N/A



**SPECIFICATIONS:**

- RATED OUTPUT: See Chart
- CAPACITY: See Chart
- SAFE OVERLOAD: See Chart
- ZERO BALANCE: ±3% of R.O.
- EXCITATION (VDC OR VAC): 5 MAX
- BRIDGE RESISTANCE: See Chart
- NONLINEARITY: ±0.25% of R.O.
- HYSTERESIS: ±0.25% of R.O.
- NONREPEATABILITY: ±0.1% of R.O.
- CREEP: ±0.075% of R.O.
- TEMP. SHIFT ZERO: ±0.01% of R.O./°F (±0.036 of R.O./°C)
- TEMP. SHIFT SPAN: ±0.04% of LOAD/°F (±0.072 of LOAD/°C)
- COMPENSATED TEMP.: 60 to 160 °F (16 to 71 °C)
- OPERATING TEMP.: -60 to 200 °F (-51 to 93 °C)
- WEIGHT (approx): 0.088 lb [40 g]
- MATERIAL: ALUMINUM
- CABLE: 15 Pin 0.5mm Pitch Flat Flex Cable

CUSTOMER APPROVAL- COMPANY:	
CUSTOMER APPROVAL- NAME / DATE:	
REVISIONS: (Refer to dwg # revision sheet)	

## OUTLINE DRAWING

STANDARD NOTES: (Unless Otherwise Specified)

ALL DIMENSIONS ARE IN INCHES  
DRAWING INTERPRETATION DIMS. PER ASME-Y14.5M  
REMOVE BURRS AND BREAK SHARP EDGES .005 - .015  
THREADS PER HANDBOOK H-28  
DIMENSIONS ARE SHOWN AFTER PLATING

ANGLE: ± 1/2°  
CHAMFER: ± 5°  
TOLERANCE:  
.X ± 0.1"  
.XX ± 0.01"  
.XXX ± 0.005"

3rd ANGLE PROJ.

*This drawing is submitted solely for the information and exclusive use of the original addressee. It is not to be divulged in whole or in part, by any firm or individual without written permission from:*

MODEL: **QMA142**  
DRAWN BY: J. RUIZ  
APPROVED BY: J. PARK  
CHECKED BY:

**FUTEK**  
ADVANCED SENSOR TECHNOLOGY, INC.  
10 THOMAS, IRVINE, CA 92618 USA  
Phone: (949) 465-0900  
Fax: (949) 465-0905

DWG No.: **FO1444**  
CREATED DATE: 7/21/2017  
APPROVED DATE: 7/25/2017  
CAGE: 1X8M6 SHEET: 1 OF 1