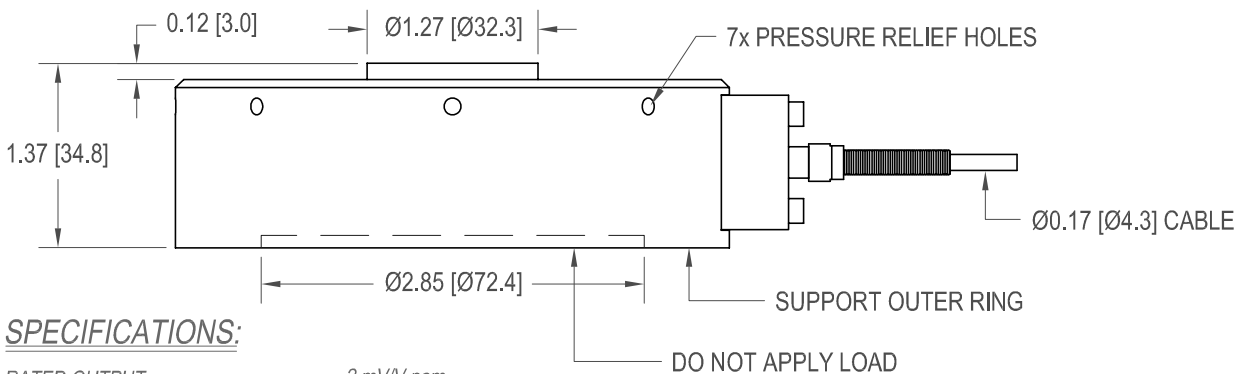
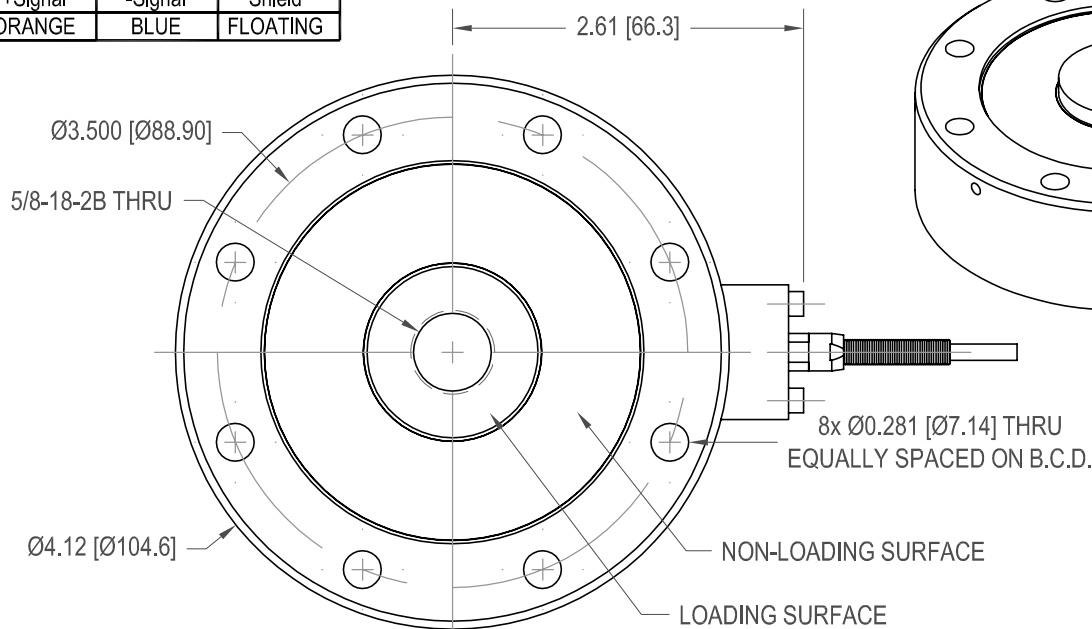
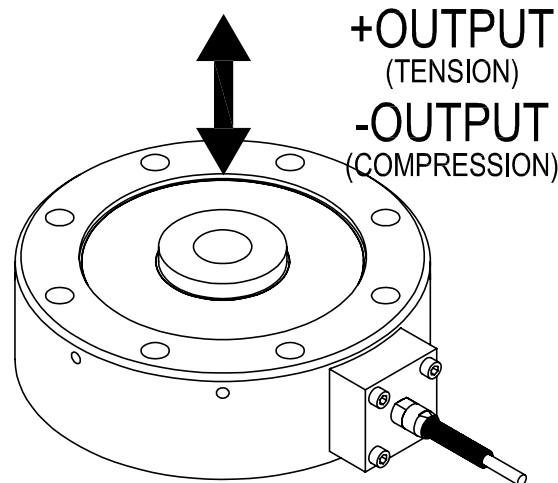


FUTEK MODEL LCF450 SPECIAL

LOW PROFILE UNIVERSAL PANCAKE LOAD CELL

STOCK NUMBER: QSH00872

INCH (mm)		R.O.= Rated Output	
WIRING CODE (WC4)			
+Excitation	-Excitation	+Signal	-Signal
RED	BLACK	GREEN	WHITE
+Signal	-Signal	Shield	
ORANGE	BLUE	FLOATING	



SPECIFICATIONS:

RATED OUTPUT	2 mV/V nom.
CAPACITY	10000 lb [44480 N]
SAFE OVERLOAD	150% of R.O.
ZERO BALANCE	±1% of R.O.
EXCITATION (VDC OR VAC)	20 MAX
BRIDGE RESISTANCE	700 Ω nom.
NONLINEARITY	±0.1% of R.O.
NONREPEATABILITY	±0.05% of R.O.
TEMP. SHIFT ZERO	±0.02% of R.O./°F [0.04% of R.O./°C]
TEMP. SHIFT SPAN	±0.02% of LOAD/°F [0.04% of LOAD/°C]
COMPENSATED TEMP.	60 to 160°F [15 to 72°C]
OPERATING TEMP.	-60 to 200°F [-50 to 93°C]
WEIGHT	3.5lb [1.6kg]
DEFLECTION	0.005 [0.13] nom.

CABLE: 28 Awg 6 Conductor Braided Shielded Polyurethane Cable - 10 ft Long

NOTE:

- 1) Submersible In Non-Conductive Silicone Oil.
- 2) Withstand 10 MPa Of Constant Pressure.

MATERIAL:	—
HEAT TREATMENT - FINISH:	—
REVISIONS: (Refer to dwg # revision sheet)	△ -

OUTLINE DRAWING

STANDARD NOTES: (Unless Otherwise Specified)

- ALL DIMENSIONS ARE IN INCHES
- DRAWING INTERPRETATION DIMS. PER ASME-Y14.5M
- REMOVE BURRS AND BREAK SHARP EDGES .005 - .015
- THREADS PER HANDBOOK H-28
- DIMENSIONS ARE SHOWN AFTER PLATING

ANGLE:
±1/2°
CHAMFER:
±5°
TOLERANCE:
 .X ±0.1
 .XX ±0.01
 .XXX ±0.005

3rd ANGLE PROJ.

This drawing is submitted solely for the information and exclusive use of the original addressee. It is not to be divulged in whole or in part, by any firm or individual without written permission from:

FUTEK

ADVANCED SENSOR TECHNOLOGY, INC.

10 THOMAS

IRVINE, CA 92618 USA

Phone: (949) 465-0900

Fax: (949) 465-0905

CAGE: 1X8M6	MODEL: LCF450	DWG No.: FO1166
DRAWN BY: H. AU	CHECKED BY: J. VARGAS	
APPROVED BY: R. WALKER	DATE: JAN. 15, 2007	