

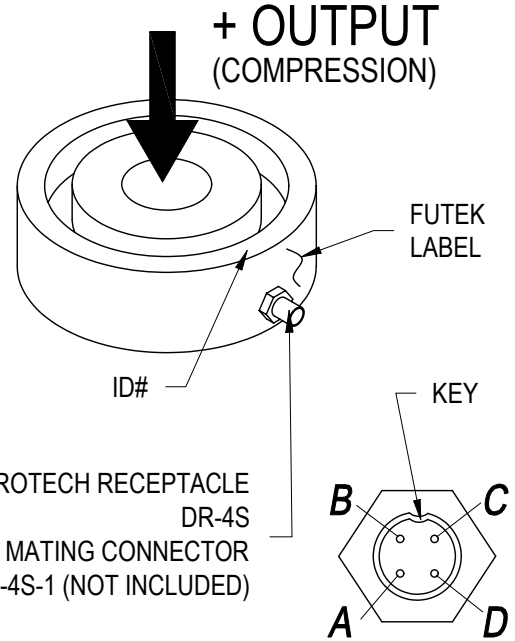
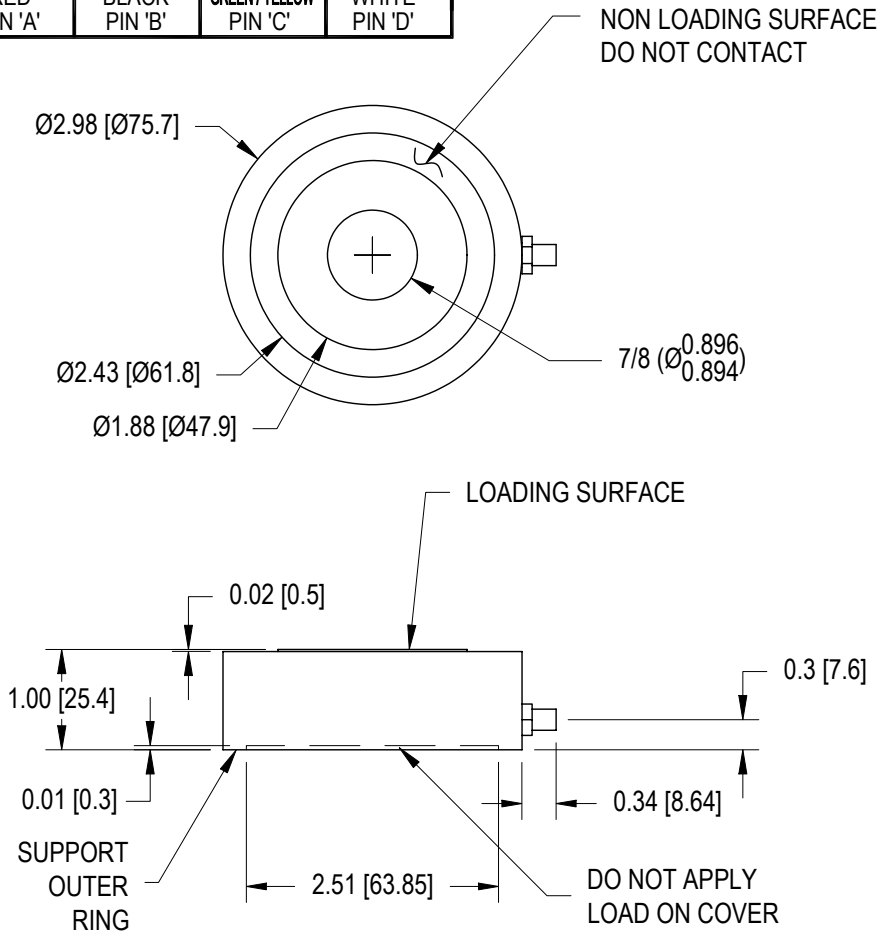
FUTEK MODEL LTH500

DONUT/THRU HOLE LOAD CELL

STOCK NUMBER: QSH00949

INCH (mm)	R.O.= Rated Output
-----------	--------------------

WIRING CODE (CC6)			
+Excitation	-Excitation	+Signal	-Signal
RED PIN 'A'	BLACK PIN 'B'	GREEN/YELLOW PIN 'C'	WHITE PIN 'D'



SPECIFICATIONS:

RATED OUTPUT	2 mV/V nom.
CAPACITY	5000 lbs
SAFE OVERLOAD	150% of R.O.
ZERO BALANCE	±1% of R.O.
EXCITATION (VDC OR VAC)	18 MAX
BRIDGE RESISTANCE	700 Ω nom
NONLINEARITY	±0.5% of R.O.
HYSTERESIS	±0.5% of R.O.
NONREPEATABILITY	±0.5% of R.O.
TEMP. SHIFT ZERO	±0.005% of R.O./°F
TEMP. SHIFT SPAN	±0.005% of LOAD/°F
COMPENSATED TEMP.	60 to 160°F
OPERATING TEMP.	-60 to 200°F
MATERIAL	17-4PH S.S.
CONNECTOR: 4 PIN MICROTECH DR-4S	

NOTE:

WHILE TORQUING BOLTS, HIGH TENSION FORCES WILL OCCUR DURING INSTALLATION, WHICH COULD RESULT IN OVERLOADING THE SENSOR. FUTEK RECOMMENDS CONNECTING SENSOR TO A SYSTEM IN ORDER TO MONITOR THE APPLIED FORCES. FUTEK IS NOT LIABLE OR RESPONSIBLE FOR THE MISHANDLING OF THE SENSOR DURING INSTALLATION.

MATERIAL:

—

HEAT TREATMENT - FINISH:

—

REVISIONS: (Refer to dwg # revision sheet)

△ -

OUTLINE DRAWING

STANDARD NOTES: (Unless Otherwise Specified)

- ALL DIMENSIONS ARE IN INCHES
- DRAWING INTERPRETATION DIMS. PER ASME-Y14.5M
- REMOVE BURRS AND BREAK SHARP EDGES .005 - .015
- THREADS PER HANDBOOK H-28
- DIMENSIONS ARE SHOWN AFTER PLATING

3rd ANGLE PROJ.



ANGLE:

±1/2°

CHAMFER:

±5°

TOLERANCE:

.X ±0.1
.XX ±0.01
.XXX ±0.005

This drawing is submitted solely for the information and exclusive use of the original addressee. It is not to be divulged in whole or in part, by any firm or individual without written permission from:

FUTEK
ADVANCED SENSOR TECHNOLOGY, INC.

10 THOMAS
IRVINE, CA 92618 USA
Phone: (949) 465-0900
Fax: (949) 465-0905

CAGE: 1X8M6

MODEL: LTH500

DWG No.: FO1181

DRAWN BY: R. WALKER

CHECKED BY: -

APPROVED BY: J. VARGAS

DATE: June 21, 2007