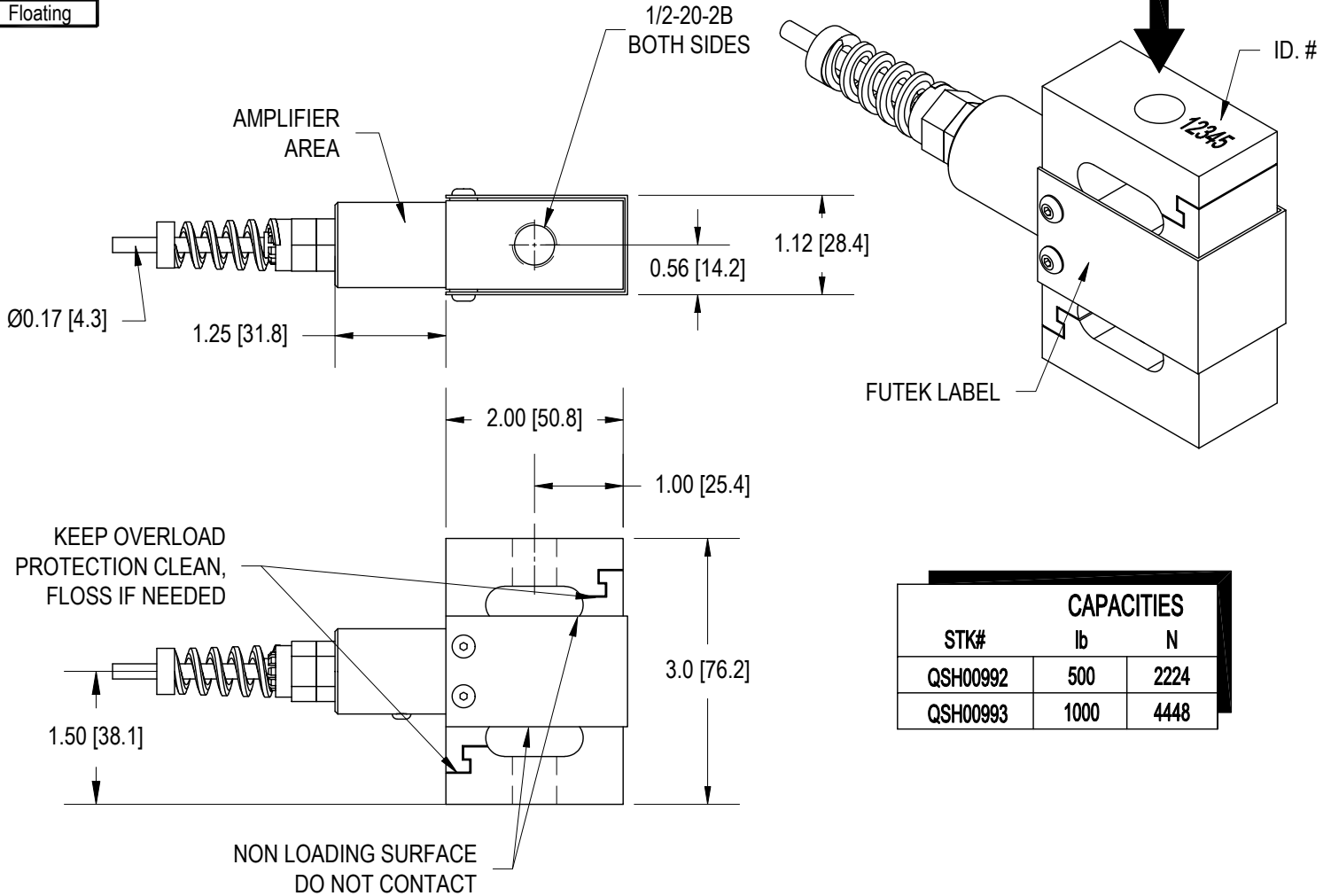


FUTEK MODEL LSB352 OVERLOAD PROTECTION S-BEAM LOAD CELL W/ INTEGRATED AMPLIFIER

STOCK NUMBER: SEE CHART

INCH [mm]		R.O.= Rated Output	
WIRING CODE			
POWER	GROUND	Signal	-Return
RED	BLACK	WHITE	BLUE
Shield			
Floating			



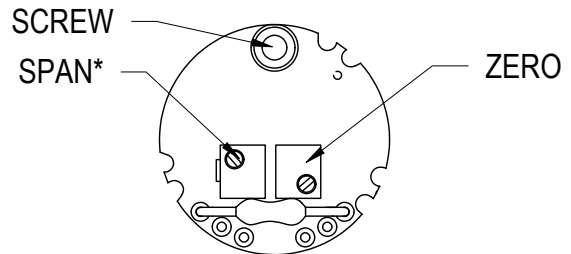
STK#	CAPACITIES	
	lb	N
QSH00992	500	2224
QSH00993	1000	4448

SPECIFICATIONS:

RATED OUTPUT	4-20 mA (Tension Direction)
SAFE OVERLOAD	500% of R.O.
ZERO BALANCE	±2% of R.O.
EXCITATION	13-30 VDC @ 42 mA min
NONLINEARITY	±0.1% of R.O.
HYSTERESIS	±0.1% of R.O.
NONREPEATABILITY	±0.05% of R.O.
TEMP. SHIFT ZERO	±0.01% of R.O./°F [0.018% of R.O./°C]
TEMP. SHIFT SPAN	±0.01% of LOAD/°F [0.018% of LOAD/°C]
COMPENSATED TEMP.	32 to 158°F [0 to 70°C]
OPERATING TEMP.	-40 to 185°F [-40 to 85°C]
MATERIAL	17-4 PH S.S.

CABLE: #28 AWG, 6 Conductor, Shielded Polyurethane Cable 20 ft [6 m] Long

INTERNAL AMPLIFIER



*SPAN- FACTORY SET, IF ADJUSTED VOIDS CALIBRATION RESULTS

MATERIAL:	—
HEAT TREATMENT - FINISH:	—
REVISIONS: (Refer to dwg # revision sheet)	△ -

OUTLINE DRAWING

STANDARD NOTES: (Unless Otherwise Specified)

- ALL DIMENSIONS ARE IN INCHES
- DRAWING INTERPRETATION DIMS. PER ASME-Y14.5M
- REMOVE BURRS AND BREAK SHARP EDGES .005 - .015
- THREADS PER HANDBOOK H-28
- DIMENSIONS ARE SHOWN AFTER PLATING

ANGLE: ±1/2°
CHAMFER: ±5°
TOLERANCE: .X ±0.1
.XX ±0.01
.XXX ±0.005

3rd ANGLE PROJ.

This drawing is submitted solely for the information and exclusive use of the original addressee. It is not to be divulged in whole or in part, by any firm or individual without written permission from:

FUTEK

ADVANCED SENSOR TECHNOLOGY, INC.
10 THOMAS
IRVINE, CA 92618 USA
Phone: (949) 465-0900
Fax: (949) 465-0905

CAGE: 1X8M6	MODEL: LSB352-SPECIAL	DWG No.: FO1191
DRAWN BY: R. WALKER	APPROVED BY: J. VARGAS	CHECKED BY: -
DATE: Sept 26, 2007		