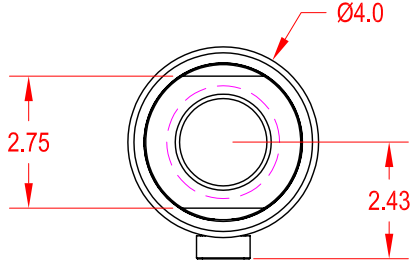


FUTEK MODEL QLA291

Heavy Duty Wire Rope Test Load Cell

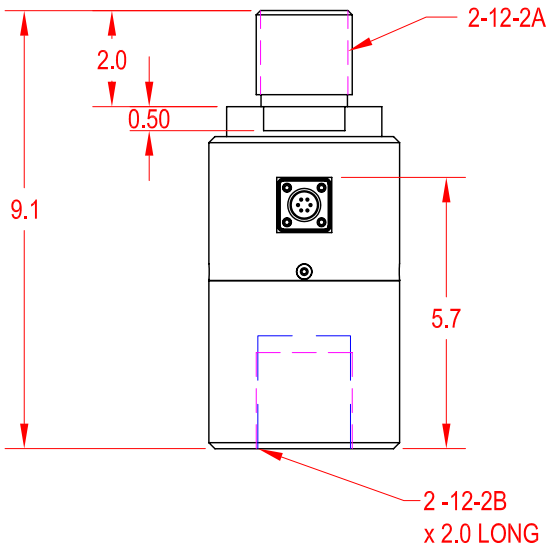
STOCK NUMBER: SEE CHART

INCH (mm)		R.O.= Rated Output	
WIRING CODE (CC1)			
+Excitation	-Excitation	+Signal	-Signal
RED PIN 'A'	BLACK PIN 'B'	GREEN PIN 'C'	WHITE PIN 'D'
+Sense	-Sense		
ORANGE PIN 'E'	BLUE PIN 'F'		



REMOVABLE
CONNECTOR
GUARD

BENDIX RECEPTABLE
PT02A-10-6P
MATING CONNECTOR
PT06A-10-6S-SR
(NOT INCLUDED)



SPECIFICATIONS:

RATED OUTPUT	2 mV/V nom.
CAPACITY	SEE CHART
SAFE OVERLOAD	150% of R.O.
ZERO BALANCE	±1% of R.O.
EXCITATION (VDC OR VAC)	18 MAX
BRIDGE RESISTANCE	350 / 700 Ω nom
NONLINEARITY	±0.2% of R.O.
HYSTERESIS	±0.2% of R.O.
NONREPEATABILITY	±0.05% of R.O.
TEMP. SHIFT ZERO	±0.01% of R.O./°F
TEMP. SHIFT SPAN	±0.01% of LOAD/°F
COMPENSATED TEMP.	30 to 130°F
OPERATING TEMP.	-60 to 200°F
WEIGHT	approx 18 lb
MATERIAL	Stainless Steel
CONNECTOR:	6 Pin BENDIX Receptacle (PT02A-10-6P)

STOCK NO:	K lb
QSH01037	25
QSH01052	100

MATERIAL:

—

HEAT TREATMENT - FINISH:

—

REVISIONS: (Refer to dwg # revision sheet)

11-20-07
12-05-07
12-28-09

OUTLINE DRAWING

STANDARD NOTES: (Unless Otherwise Specified)

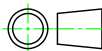
- ALL DIMENSIONS ARE IN INCHES
- DRAWING INTERPRETATION DIMS. PER ASME-Y14.5M
- REMOVE BURRS AND BREAK SHARP EDGES .005 - .015
- THREADS PER HANDBOOK H-28
- DIMENSIONS ARE SHOWN AFTER PLATING

ANGLE:
±1/2°

CHAMFER:
±5°

TOLERANCE:
.X ±0.1
.XX ±0.01
.XXX ±0.005

3rd ANGLE PROJ.



This drawing is submitted solely for the information and exclusive use of the original addressee. It is not to be divulged in whole or in part, by any firm or individual without written permission from:

FUTEK
ADVANCED SENSOR TECHNOLOGY, INC.

10 THOMAS
IRVINE, CA 92618 USA
Phone: (949) 465-0900
Fax: (949) 465-0905

CAGE: 1X8M6

MODEL: **QLA291**

DWG No.: **FO1197**

DRAWN BY: R. WALKER

CHECKED BY: J.V. MEISELBACH

APPROVED BY: -

DATE: **Oct 30 2007**