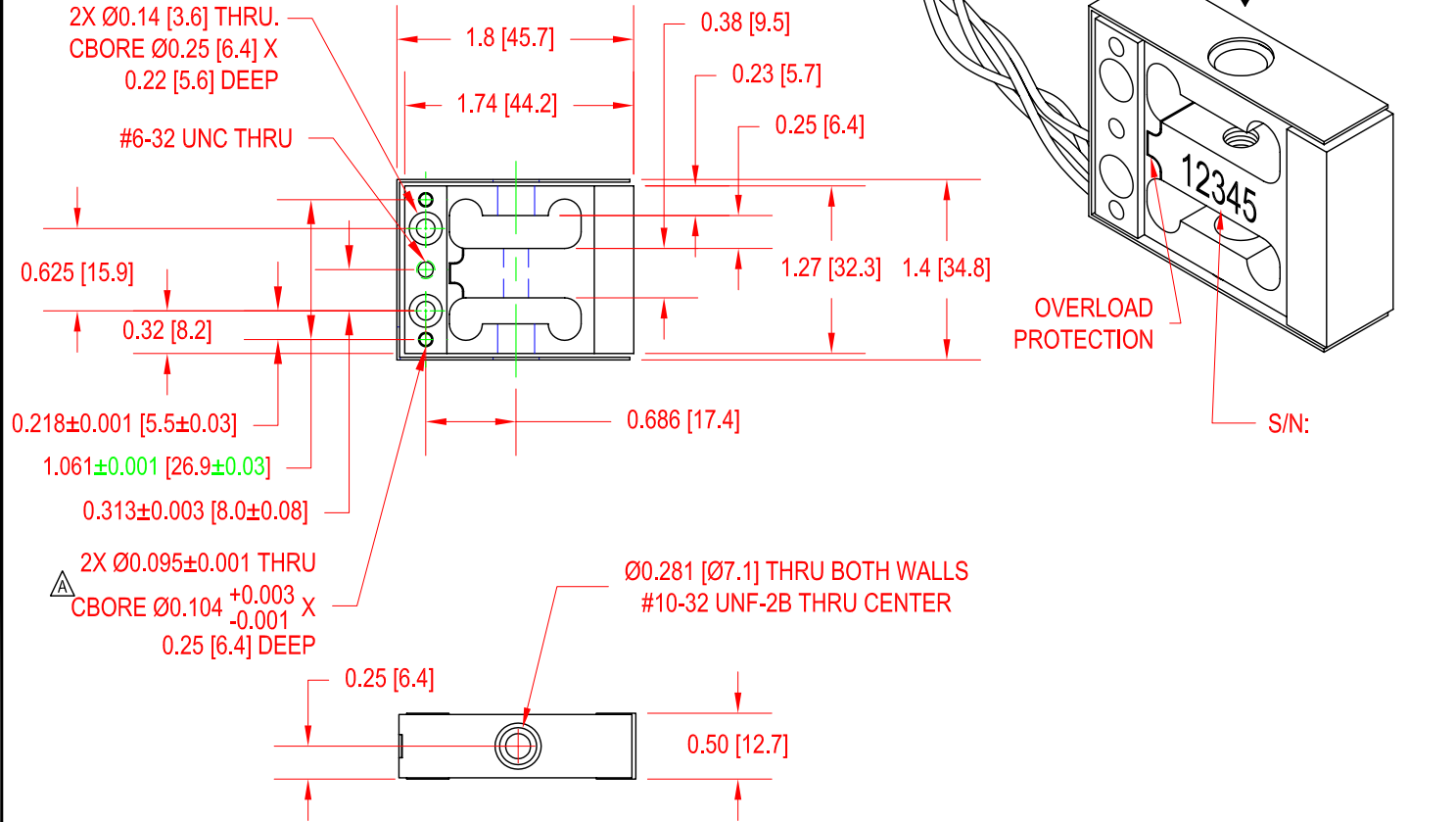


# FUTEK MODEL LSM300 PARALLELOGRAM LOAD CELL W/ OVERLOAD PROTECTION AND SPECIAL MOUNTING PROVISIONS

ITEM #: SEE CHART

INCH [mm]		R.O.= Rated Output	
WIRING CODE (WC 2)			
+Excitation	-Excitation	+Signal	-Signal
GREEN	BLACK	WHITE	RED



## SPECIFICATIONS:

RATED OUTPUT	2 mV/V nom.
CAPACITY	SEE CHART
SAFE OVERLOAD	250 lb
ZERO BALANCE	±3% of R.O.
EXCITATION (VDC OR VAC)	18 MAX
BRIDGE RESISTANCE	1000 Ω nom.
NONLINEARITY	±0.02% of R.O.
HYSTERESIS	±0.02% of R.O.
NONREPEATABILITY	±0.02% of R.O.
CREEP	±0.025% of LOAD.
TEMP. SHIFT ZERO	±0.005% of R.O./°F [0.01% of R.O./°C]
TEMP. SHIFT SPAN	±0.005% of LOAD/°F [0.01% of LOAD/°C]
COMPENSATED TEMP.	60 to 160°F [15 to 72°C]
OPERATING TEMP.	-60 to 200°F [-50 to 93°C]
WEIGHT	1 oz
MATERIAL	ALUMINUM
CABLE: #29 AWG, 4 Conductor, Spiral Teflon Cable 6 in. [152.4 mm] Long	

ITEM #	CAPACITY	
	lb	N
QSH01230	25	111
QSH01192	50	222
QSH01193	100	445

## OUTLINE DRAWING

STANDARD NOTES: (Unless Otherwise Specified)

- ALL DIMENSIONS ARE IN INCHES
- DRAWING INTERPRETATION DIMS. PER ASME-Y14.5M
- REMOVE BURRS AND BREAK SHARP EDGES .005 - .015
- THREADS PER HANDBOOK H-28
- DIMENSIONS ARE SHOWN AFTER PLATING

3rd ANGLE PROJ.



This drawing is submitted solely for the information and exclusive use of the original addressee. It is not to be divulged in whole or in part, by any firm or individual without written permission from:

**FUTEK**  
ADVANCED SENSOR TECHNOLOGY, INC.  
10 THOMAS  
IRVINE, CA 92618 USA  
Phone: (949) 465-0900  
Fax: (949) 465-0905

**CAGE: 1X8M6**

MODEL: **LSM300**

DWG No.: **FO1231-B**

DRAWN BY: S. TRAN

CHECKED BY: XXXX

APPROVED BY: R. WALKER

DATE: **Nov 19, 2008**

CUSTOMER APPROVAL-COMPANY

CUSTOMER APPROVAL-NAME /DATE

REVISIONS: (Refer to dwg # revision sheet)

11-24-08

02-10-10