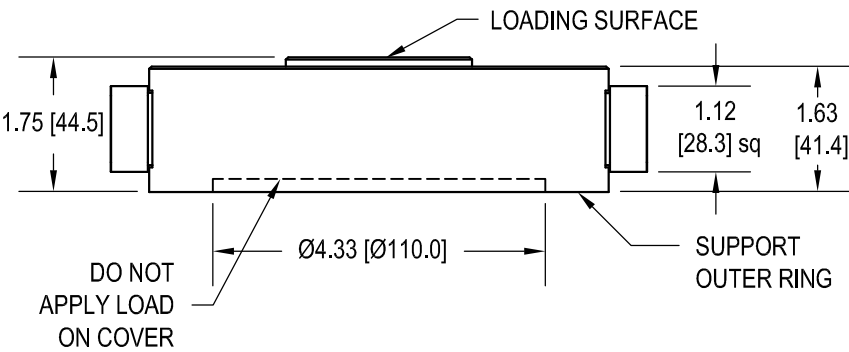
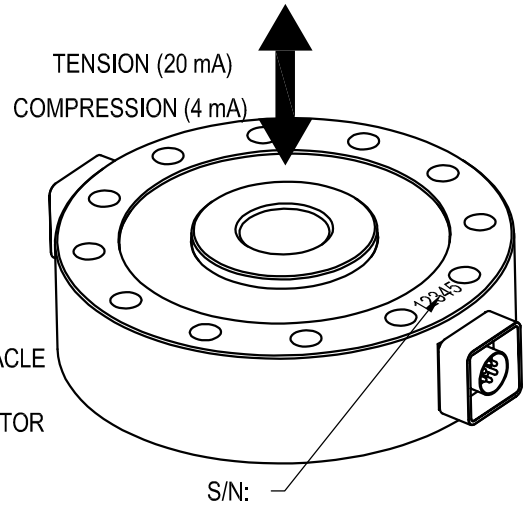
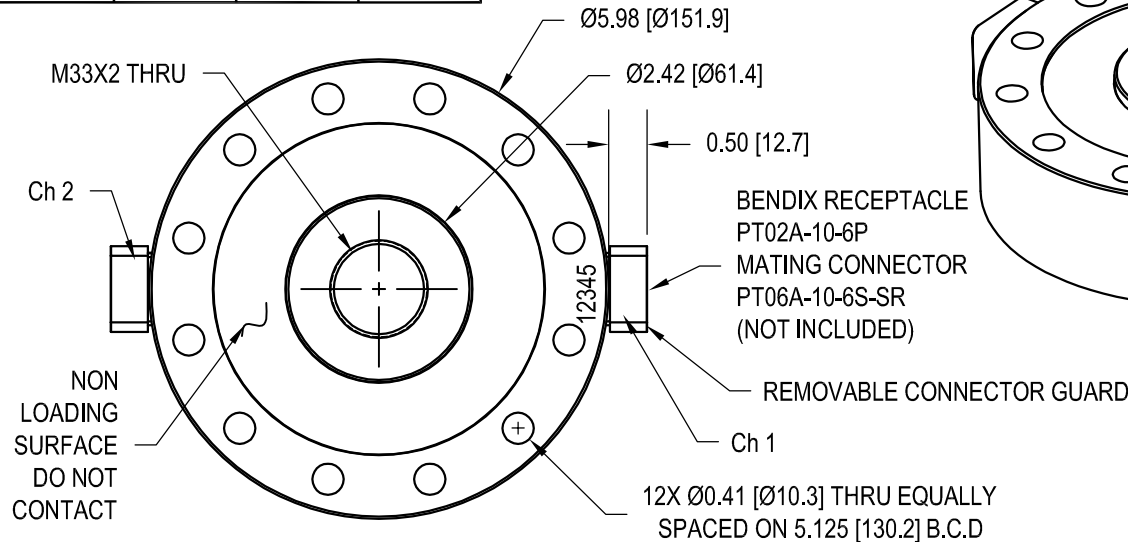


FUTEK MODEL LCF500

LOW PROFILE UNIVERSAL PANCAKE LOAD CELL, DUAL BRIDGE, AMPLIFIED OUTPUT

ITEM NUMBER: QSH01355

INCH [mm]		R.O.= Rated Output	
CONNECTOR CODE			
Power Supply (+)	Ground (-)	Current Output (+)	Ground (-)
PIN 'A'	PIN 'B'	PIN 'C'	PIN 'D'



SPECIFICATIONS:

RATED OUTPUT	12 ±8 mA
CAPACITY	CH1 10 Klb (44.5 kN), CH2 50 Klb (222 kN)
SAFE OVERLOAD	75 Klb [334 kN]
EXCITATION	▲ 12-24 VDC
NONLINEARITY	±0.25% of R.O.
HYSTERESIS	±0.2% of R.O.
NONREPEATABILITY	±0.02% of R.O.
CREEP	±0.02% of LOAD
TEMP. SHIFT ZERO	±0.003% of R.O./°F [0.005% of R.O./°C]
TEMP. SHIFT SPAN	±0.005% of LOAD/°F [0.009% of LOAD/°C]
COMPENSATED TEMP.	60 to 160°F [15 to 72°C]
OPERATING TEMP.	-40 to 185°F [-40 to 85°C]
MATERIAL	17-4PH S.S.
WEIGHT	9 lb [4.1 kg]
2X CONNECTOR: 6 Pin BENDIX Receptacle (PT02A-10-6P)	

CUSTOMER APPROVAL-COMPANY
CUSTOMER APPROVAL-NAME /DATE
REVISIONS: (Refer to dwg # revision sheet)
▲ 10-30-12

OUTLINE DRAWING

- STANDARD NOTES: (Unless Otherwise Specified)
- ALL DIMENSIONS ARE IN INCHES
 - DRAWING INTERPRETATION DIMS. PER ASME-Y14.5M
 - REMOVE BURRS AND BREAK SHARP EDGES .005 - .015
 - THREADS PER HANDBOOK H-28
 - DIMENSIONS ARE SHOWN AFTER PLATING

3rd ANGLE PROJ.



ANGLE: ±1/2°

CHAMFER: ±5°

TOLERANCE:
.X ±0.1
.XX ±0.01
.XXX ±0.005

This drawing is submitted solely for the information and exclusive use of the original addressee. It is not to be divulged in whole or in part, by any firm or individual without written permission from:

FUTEK
ADVANCED SENSOR TECHNOLOGY, INC.

10 THOMAS
IRVINE, CA 92618 USA
Phone: (949) 465-0900
Fax: (949) 465-0905

CAGE: 1X8M6

MODEL: LCF500

DRAWN BY: R. WALKER

APPROVED BY: -

DWG No.: FO1335-A

CHECKED BY: J. VARGAS

DATE: Oct 24, 2012