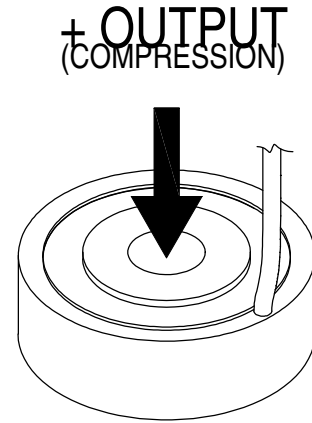
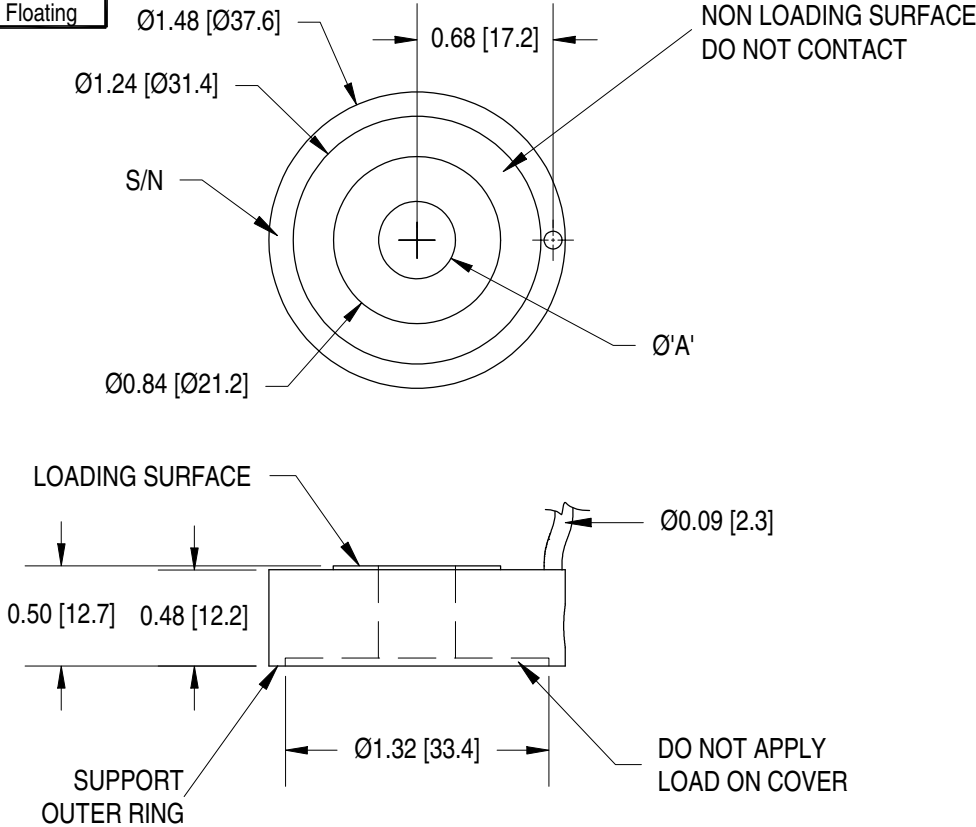


FUTEK MODEL LTH350 (SPECIAL)

ITEM NUMBER: SEE CHART

DONUT LOAD CELL WITH TOP EXITING CABLE (PREVIOUSLY L2761-Q10589)

INCH (mm)		R.O.= Rated Output	
WIRING CODE			
+Excitation RED	-Excitation BLACK	+Signal GREEN	-Signal WHITE
Shield Floating			



SPECIFICATIONS:

RATED OUTPUT	2 mV/V nom.
CAPACITY	See Chart
SAFE OVERLOAD	150% of R.O.
ZERO BALANCE	±1% of R.O.
EXCITATION (VDC OR VAC)	18 MAX
BRIDGE RESISTANCE	700 Ω nom.
NONLINEARITY	±1% of R.O.
HYSTERESIS	±1% of R.O.
NONREPEATABILITY	±1% of R.O.
TEMP. SHIFT ZERO	±0.005% of R.O./°F [0.01% of R.O./°C]
TEMP. SHIFT SPAN	±0.005% of LOAD/°F [0.01% of LOAD/°C]
COMPENSATED TEMP.	60 to 160°F [15 to 72°C]
OPERATING TEMP.	-60 to 200°F [-50 to 93°C]
WEIGHT	3.5 oz [99 g]
MATERIAL	17-4PH S.S.
DEFLECTION	0.002 [0.05] nom.

CABLE: #29 AWG, 4 Conductor, Spiral Shielded Silicone Cable (See Chart) ft Long

NOTE:

WHILE TORQUING BOLTS, HIGH TENSION FORCES WILL OCCUR DURING INSTALLATION, WHICH COULD RESULT IN OVERLOADING THE SENSOR. FUTEK RECOMMENDS CONNECTING SENSOR TO A SYSTEM IN ORDER TO MONITOR THE APPLIED FORCES. FUTEK IS NOT LIABLE OR RESPONSIBLE FOR THE MISHANDLING OF THE SENSOR DURING INSTALLATION.

ITEM #:	lb	NEWTON	ØA	CABLE LENGTH
QSH00821	500	2200	0.385 [9.8]	2 [0.61 m]
QSH01354	250	1100	0.635 [16.1]	2 [0.61 m]
QSH01377	500	2200	0.635 [16.1]	5 [1.5 m]

CUSTOMER APPROVAL-COMPANY

OUTLINE DRAWING

CUSTOMER APPROVAL-NAME /DATE

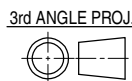
STANDARD NOTES: (Unless Otherwise Specified)

- ALL DIMENSIONS ARE IN INCHES
- DRAWING INTERPRETATION DIMS. PER ASME-Y14.5M
- REMOVE BURRS AND BREAK SHARP EDGES .005 - .015
- THREADS PER HANDBOOK H-28
- DIMENSIONS ARE SHOWN AFTER PLATING

ANGLE:
±1/2°

CHAMFER:
±5°

TOLERANCE:
.X ±0.1
.XX ±0.01
.XXX ±0.005



This drawing is submitted solely for the information and exclusive use of the original addressee. It is not to be divulged in whole or in part, by any firm or individual without written permission from:

FUTEK
ADVANCED SENSOR TECHNOLOGY, INC.

10 THOMAS
IRVINE, CA 92618 USA
Phone: (949) 465-0900
Fax: (949) 465-0905

CAGE: 1X8M6

MODEL: **LTH350**

DRAWN BY: R. Walker

APPROVED BY: H. AU

DWG No: **F01147-C**

CHECKED BY: -

DATE: **Sept. 13, 2009**

- REVISIONS: (Refer to dwg # revision sheet)
- 12-03-09
 - 2-1-10
 - 2-3-10