

Terms and Conditions of Use

This drawing, including all information depicted herein (collectively, "Drawing"), is FUTEK's property and protected under applicable law, including copyright. FUTEK reserves all rights. The Drawing is provided solely for your information and exclusive use. **Except as expressly approved by FUTEK in writing, you may not reproduce or share this Drawing**, in whole or part, with any other firm or individual, or attempt to reverse engineer the Drawing or data contained therein. Any reproduction of this Drawing in whole or part must include this legend.

By accessing the Drawing, you agree that you have read, understand, and agree to abide by the stated Terms and Conditions of Use.

© 2023 FUTEK Advanced Sensor Technology, Inc.

FUTEK MODEL PFT510-SP

CUSTOM MINIATURE FLUSH MOUNT DIAPHRAGM PRESSURE SENSOR

ITEM NUMBER: QSH01425



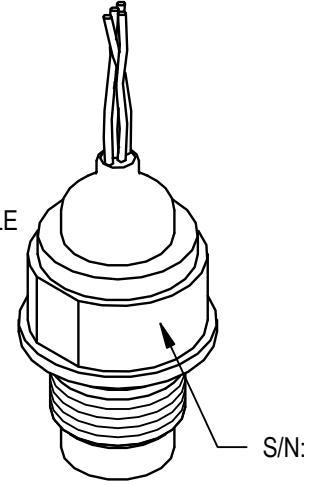
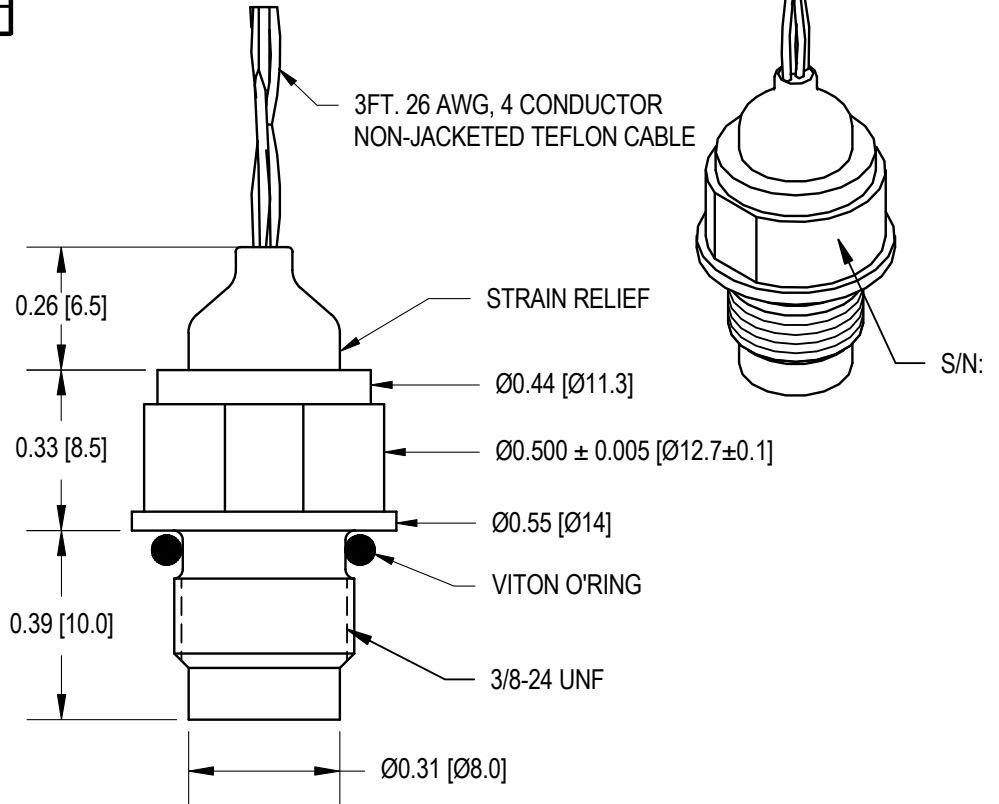
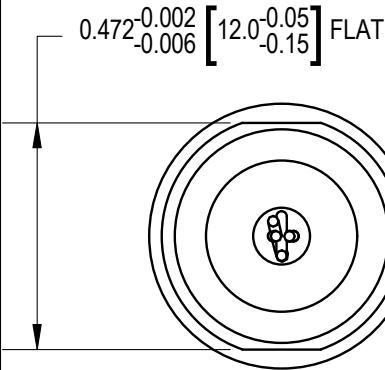
Drawing Number: FO1273-D

INCH [mm] | R.O.= Rated Output

WIRING CODE (WC1)

| | | | |
|-------------|-------------|---------|---------|
| +Excitation | -Excitation | +Signal | -Signal |
| RED | BLACK | GREEN | WHITE |

- FLUSH MOUNT
- STAINLESS STEEL CONSTRUCTION
- NEMA 4 (IP 65)



TECHNICAL SPECIFICATIONS:

(REFERENCE CONDITION: 20°C)

PERFORMANCE:

| | |
|-------------------------------|---|
| CAPACITY: | 150 BAR |
| TYPE: | SEALED GAGE |
| RATED OUTPUT: | 1-1.5 mV/V nom. |
| SAFE OVERLOAD: | 150% of R.O. |
| BURST PRESSURE: | 300% of R.O. |
| ZERO BALANCE: | ±3% of R.O. |
| EXCITATION(VDC) | 10 VDC MAX |
| COMBINED NONLIN. & HYSTERESIS | < ±0.5% of R.O. B.F.S.L. |
| NONREPEATABILITY | ±0.02% of R.O. Type |
| NATURAL FREQUENCY | FROM 6 KHz (15 BAR) TO 100 KHz (700 BAR) |
| INSULATION RESISTANCE | >1000 MΩ @ 50Vdc and 20°C |
| BRIDGE RESISTANCE | 350 Ω nom. |
| CALIBRATION | CERTIFICATE OF CONFORMANCE INCLUDED NIST TRACEABLE 5 pt. CALIBRATION AVAILABLE |

MECHANICAL SPECIFICATION:

| | |
|------------------------|--|
| WEIGHT: | < 10g WITHOUT CABLE |
| WETTED/ BODY MATERIAL: | STAINLESS STEEL |
| ENCLOSURE PROTECTION: | NEMA 4 (IP 65) |
| ELECTRICAL CONNECTION: | 26 AWG, 4 CONDUCTOR NON-JACKETED TEFLON CABLE, 3 ft. [1 m] LONG |

ENVIRONMENTAL :

| | |
|-------------------------|---|
| OPERATING TEMPERATURE | -15 to +194°F [-26 to +90°C] |
| COMPENSATED TEMPERATURE | -4 to +140°F [-20 to +60°C] |
| SHOCK: | 100 G'S 1/2 SINUSOIDAL - 1 ms |
| VIBRATION: | ±0.02 of R.O. / G (20-2000 Hz, 50 g MAX) |
| TEMP. SHIFT ZERO | △ ±0.004% of R.O./°F [±0.007% of R.O./°C] |
| TEMP. SHIFT SPAN | ±0.020% of R.O./°F [±0.036% of R.O./°C] |
| EMI/RFI: | EN61000 |

CUSTOMER APPROVAL-COMPANY

CUSTOMER APPROVAL-NAME /DATE

REVISIONS: (Refer to dwg # revision sheet)

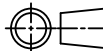
- △ 09-01-2010
- △ 02-01-2011
- △ 01-10-2014
- △ 02-26-2014

OUTLINE DRAWING

STANDARD NOTES: (Unless Otherwise Specified)

- ALL DIMENSIONS ARE IN INCHES
- DRAWING INTERPRETATION DIMS. PER ASME-Y14.5M
- REMOVE BURRS AND BREAK SHARP EDGES .005 - .015
- THREADS PER HANDBOOK H-28
- DIMENSIONS ARE SHOWN AFTER PLATING

3rd ANGLE PROJ.



ANGLE:
±1/2°

CHAMFER:
±5°

TOLERANCE:
.X ±0.1
.XX ±0.01
.XXX ±0.005

FUTEK

CAGE: 1X8M6

MODEL: PFT510-SP

DRAWN BY: T.LEE

APPROVED BY: -

This drawing, including all information depicted herein (collectively, "Drawing"), is FUTEK's property and protected under applicable law, including copyright. FUTEK reserves all rights. The Drawing is provided solely for your information and exclusive use. Except as expressly approved by FUTEK in writing, you may not reproduce or share this Drawing, in whole or part, with any other firm or individual, or attempt to reverse engineer the Drawing or data contained therein. Any reproduction of this Drawing in whole or part must include this notice.

DWG No.: FO1273-D

CHECKED BY: R.WALKER

DATE: JAN. 13, 2014