

Terms and Conditions of Use

This drawing, including all information depicted herein (collectively, "Drawing"), is FUTEK's property and protected under applicable law, including copyright. FUTEK reserves all rights. The Drawing is provided solely for your information and exclusive use. **Except as expressly approved by FUTEK in writing, you may not reproduce or share this Drawing**, in whole or part, with any other firm or individual, or attempt to reverse engineer the Drawing or data contained therein. Any reproduction of this Drawing in whole or part must include this legend.

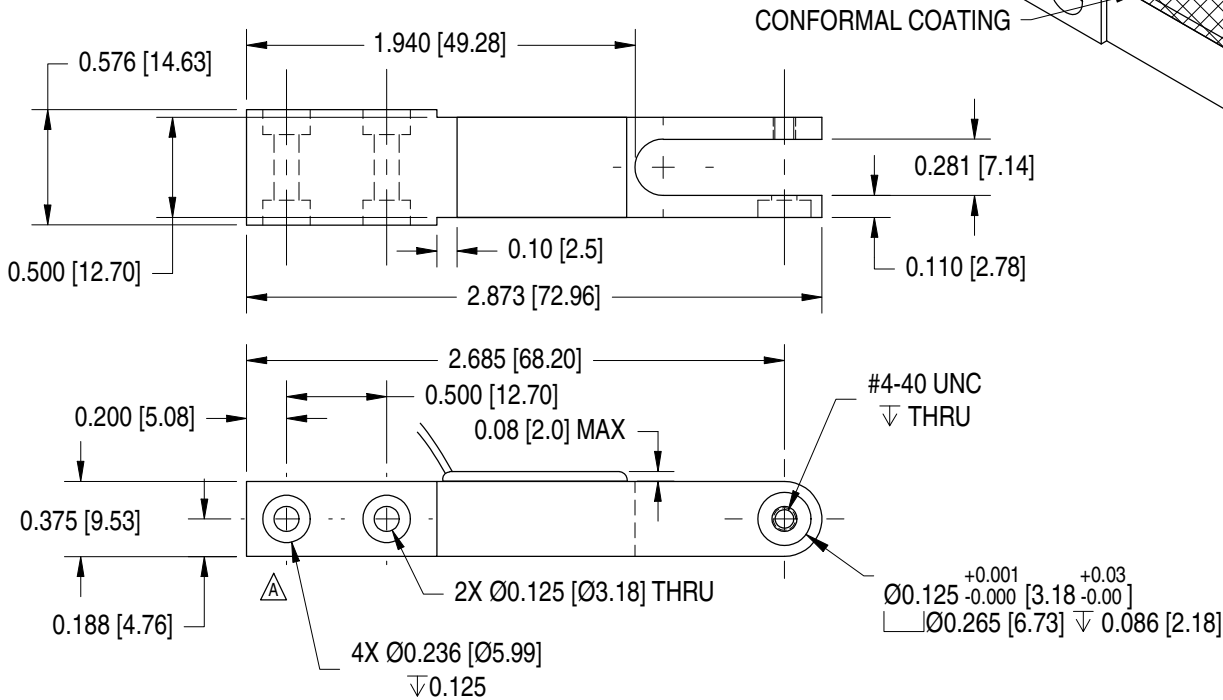
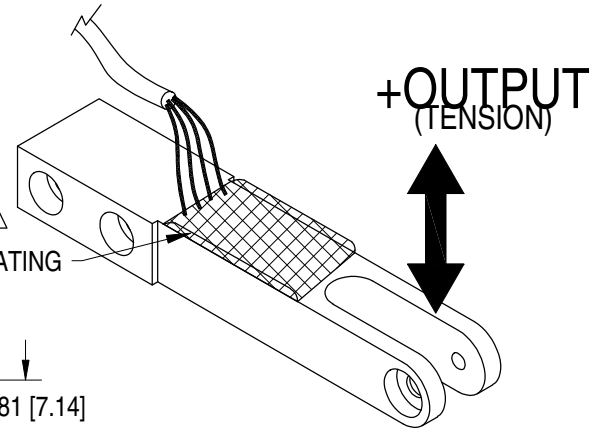
By accessing the Drawing, you agree that you have read, understand, and agree to abide by the stated Terms and Conditions of Use.

© 2023 FUTEK Advanced Sensor Technology, Inc.

FUTEK MODEL QLA328 CUSTOM BENDING BEAM LOAD CELL, SIDE MOUNT

ITEM NUMBER: QSH01447

INCH [mm]		R.O.= Rated Output	
WIRING CODE			
+Excitation	-Excitation	+Signal	-Signal
RED	BLACK	GREEN	WHITE
Shield			
Floating			



SPECIFICATIONS:

RATED OUTPUT	1 mV/V nom.
CAPACITY	18 lb [80 N]
SAFE OVERLOAD	150% of R.O.
ZERO BALANCE	±3% of R.O.
EXCITATION (VDC OR VAC)	15 MAX
BRIDGE RESISTANCE	1000 Ω nom
NONLINEARITY	±1% of R.O.
HYSTERESIS	±0.5% of R.O.
NONREPEATABILITY	±0.1% of R.O.
TEMP. SHIFT ZERO	±0.02% of R.O./°F (0.036% of R.O./°C)
TEMP. SHIFT SPAN	±0.02% of LOAD/°F (0.036% of LOAD/°C)
COMPENSATED TEMP.	60 to 160°F (15 to 72°C)
OPERATING TEMP.	32 to 200°F (0 to 93°C)
WEIGHT	approx 0.13 lbs (57 g)
MATERIAL	17-4 PH S.S.
CABLE:	29 AWG, 4 Conductor Spiral Shielded Silicone Cable, 2 ft Long

CUSTOMER APPROVAL-COMPANY

OUTLINE DRAWING

FUTEK

This drawing, including all information depicted herein (collectively, "Drawing"), is FUTEK's property and protected under applicable law, including copyright. FUTEK reserves all rights. The Drawing is provided solely for your information and exclusive use. Except as expressly approved by FUTEK in writing, you may not reproduce or share this Drawing in whole or part, with any other firm or individual, or attempt to reverse engineer the Drawing or data contained therein. Any reproduction of this Drawing in whole or part must include this legend.

CUSTOMER APPROVAL-NAME /DATE

STANDARD NOTES: (Unless Otherwise Specified)

CAGE: 1X8M6

REVISIONS: (Refer to dwg # revision sheet)
10-28-10

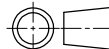
- ALL DIMENSIONS ARE IN INCHES
- DRAWING INTERPRETATION DIMS. PER ASME-Y14.5M
- REMOVE BURRS AND BREAK SHARP EDGES .005 - .015
- THREADS PER HANDBOOK H-28
- DIMENSIONS ARE SHOWN AFTER PLATING

ANGLE:
±1/2°

CHAMFER:
±5°

TOLERANCE:
.X ±0.1
.XX ±0.01
.XXX ±0.005

3rd ANGLE PROJ.



MODEL: **QLA328**

DWG No: **FO1277-A**

DRAWN BY: A. Sata

CHECKED BY: -

APPROVED BY: R. Walker

DATE: **Oct. 22, 2010**