

FUTEK MODEL QLA341 CUSTOM DONUT LOAD CELL W/ AMPLIFIER 4-20mA

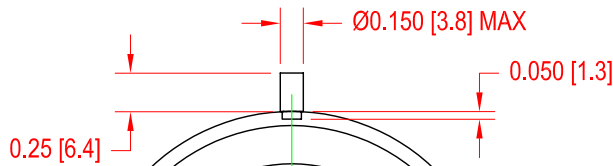
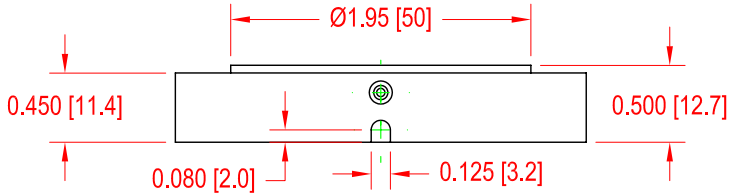
ITEM NUMBER: QSH01456

INCH [mm]	R.O.= Rated Output		
WIRING CODE			
Supply +	Supply -	Output + (mA)	Output - (mA)
PIN 3 (RED)	PIN 2 (BLACK)	PIN 5 (WHITE)	PIN 6 (GREEN)
Ground Floating	⚠		
PIN 4 (SHIELD)			

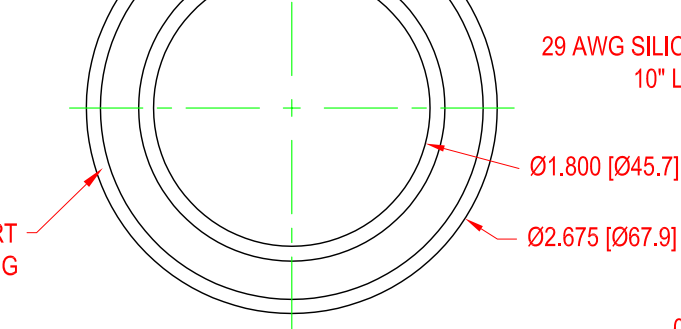
LOADING SURFACE

+OUTPUT
(COMPRESSION)

DO NOT APPLY
LOAD ON COVER



SUPPORT
OUTER RING



SPECIFICATIONS:

RATED OUTPUT	4-20 mA (3 wire)
CAPACITY	1000 lb (4448 N)
SAFE OVERLOAD	150% of R.O.
ZERO BALANCE	±3% of R.O.
EXCITATION	13-30 VDC @ 42 mA min
NONLINEARITY	±0.5% of R.O.
HYSTERESIS	±0.5% of R.O.
NONREPEATABILITY	±0.5% of R.O.
TEMP. SHIFT ZERO	±0.01% of R.O./°F (0.018% of R.O./°C)
TEMP. SHIFT SPAN	±0.01% of LOAD/°F (0.018% of LOAD/°C)
COMPENSATED TEMP.	60 to 160°F (15 to 72°C)
OPERATING TEMP.	-60 to 185°F (-50 to 85°C)
WEIGHT	4.8 oz (136 g)
MATERIAL	17-4 PH S.S.

CABLE: 10 inch 29 AWG silicone cable to MANTRACOURT amplifier with
7 inch 24 AWG PVC cable to MOLEX 0430200601 connector w/ 430310008 male pins

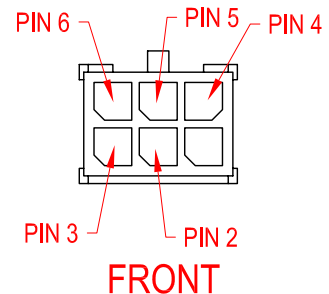
29 AWG SILICONE
10" LONG

MANTRACOURT
ICA4H AMPLIFIER

0430200601
MOLEX CONNECTOR
WITH 430310008
MALE PINS

⚠
24 AWG PVC
7" LONG

FRONT



CUSTOMER APPROVAL-COMPANY

CUSTOMER APPROVAL-NAME /DATE

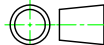
REVISIONS: (Refer to dwg # revision sheet)
⚠ 12-14-10
⚠ 01-26-11

OUTLINE DRAWING

STANDARD NOTES: (Unless Otherwise Specified)

- ALL DIMENSIONS ARE IN INCHES
- DRAWING INTERPRETATION DIMS. PER ASME-Y14.5M
- REMOVE BURRS AND BREAK SHARP EDGES .005 - .015
- THREADS PER HANDBOOK H-28
- DIMENSIONS ARE SHOWN AFTER PLATING

3rd ANGLE PROJ.



ANGLE:
±1/2°

CHAMFER:
±5°

TOLERANCE:
.X ±0.1
.XX ±0.01
.XXX ±0.005

This drawing is submitted solely for the information and exclusive use of the original addressee. It is not to be divulged in whole or in part, by any firm or individual without written permission from:

FUTEK
ADVANCED SENSOR TECHNOLOGY, INC.

10 THOMAS
IRVINE, CA 92618 USA
Phone: (949) 465-0900
Fax: (949) 465-0905

CAGE: 1X8M6

MODEL: **QLA341**

DWG No.: **F01282-B**

DRAWN BY: A. Sata

CHECKED BY: -

APPROVED BY: R. Walker

DATE: **Dec 2, 2010**