



FEATURES

- Ultra low deflection
- Robust strain relief
- 17-4 PH stainless-steel construction
- For use in compression
- Utilizes metal foil strain gauge technology

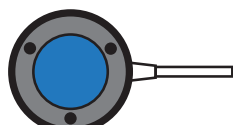
 Non-loading surface, do not contact

 Active End

 Fixed End



Top view



Bottom view



+ Output (compression)

SPECIFICATIONS

PERFORMANCE

Nonlinearity $\pm 0.25\%$ of RO (5000 lb)
 $\pm 0.5\%$ of RO (10000 lb)

Hysteresis $\pm 0.25\%$ of RO (5000 lb)
 $\pm 0.5\%$ of RO (10000 lb)

Nonrepeatability $\pm 0.1\%$ of RO

ELECTRICAL

Rated Output (RO) 2 mV/V nom

Excitation (VDC or VAC) 18 max

Bridge Resistance 700 Ohm nom

Insulation Resistance ≥ 500 MOhm @ 50 VDC

Connection #24 AWG, 4 conductor, braided shielded Teflon cable 10 ft [3 m] long

Wiring/Connector Code WC1

MECHANICAL

Weight (approximate) 4 oz [113.4 g]

Safe Overload 150% of RO

Deflection See chart on next page

Material 17-4 PH stainless-steel

IP Rating IP64

TEMPERATURE

Operating Temperature -60 to 200°F [-50 to 93°C]

Compensated Temperature 60 to 160°F [15 to 72°C]

Temperature Shift Zero $\pm 0.01\%$ of RO/ $^{\circ}\text{F}$ [0.018% of RO/ $^{\circ}\text{C}$]

Temperature Shift Span $\pm 0.02\%$ of LOAD/ $^{\circ}\text{F}$ [0.036% of LOAD/ $^{\circ}\text{C}$]

CALIBRATION

Calibration Test Excitation 10 VDC

Calibration (standard) 5-pt Compression

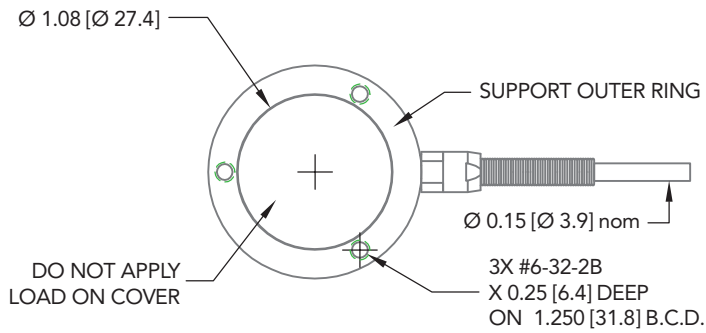
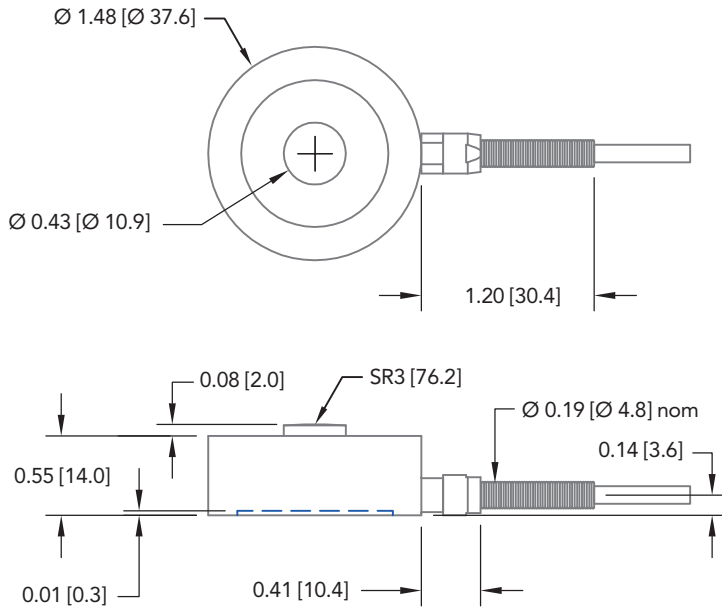
Shunt Calibration Value 100 kOhm

CONFORMITY

RoHS EU 2015/863

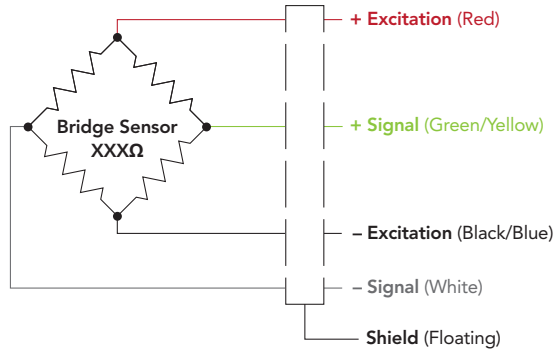
CE EN55011; EN61326-1

DIMENSIONS inches [mm]



WIRING CODE (WC1 WITH SHIELD)

| | |
|--------|--------------|
| RED | + EXCITATION |
| BLACK | - EXCITATION |
| GREEN | + SIGNAL |
| WHITE | - SIGNAL |
| SHIELD | FLOATING |



CAPACITIES

| ITEM # | lb | N | FZ Deflection (in) | Natural Frequency (kHz) |
|----------|-------|-------|--------------------|-------------------------|
| FSH03997 | 5000 | 22240 | 0.0015 | 25 |
| FSH03998 | 10000 | 44480 | 0.0018 | 27.8 |

Drawing Number: FI1413-C

FUTEK reserves the right to modify its design and specifications without notice. Please visit www.futek.com/salesterms for complete terms and conditions.

10 Thomas, Irvine, CA 92618 USA

Tel: (949) 465-0900

Fax: (949) 465-0905

www.futek.com



RoHS



U.S. Manufacturer