

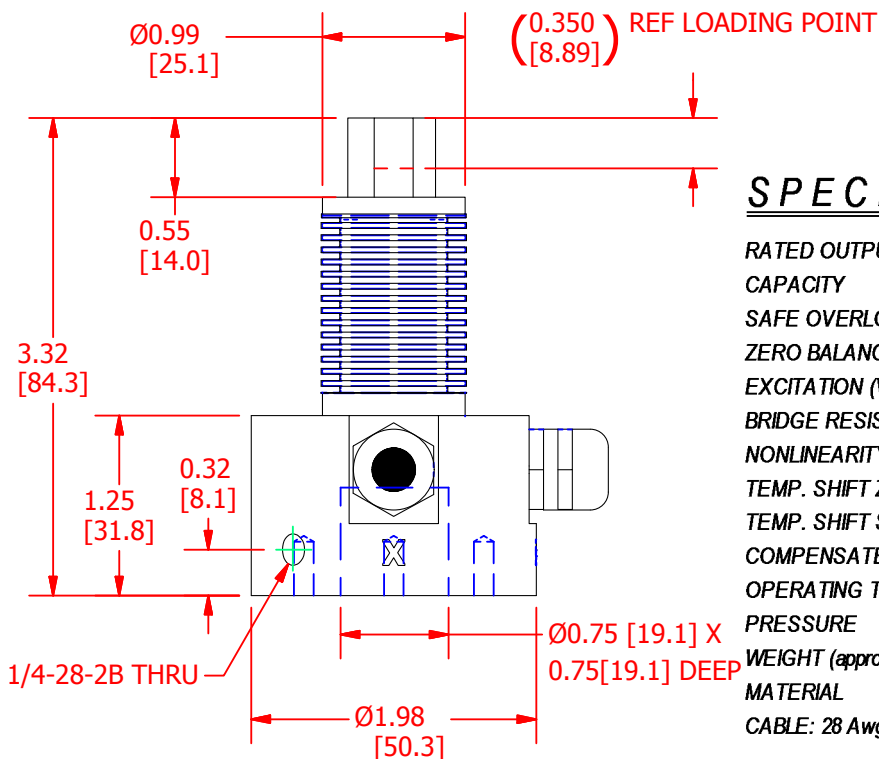
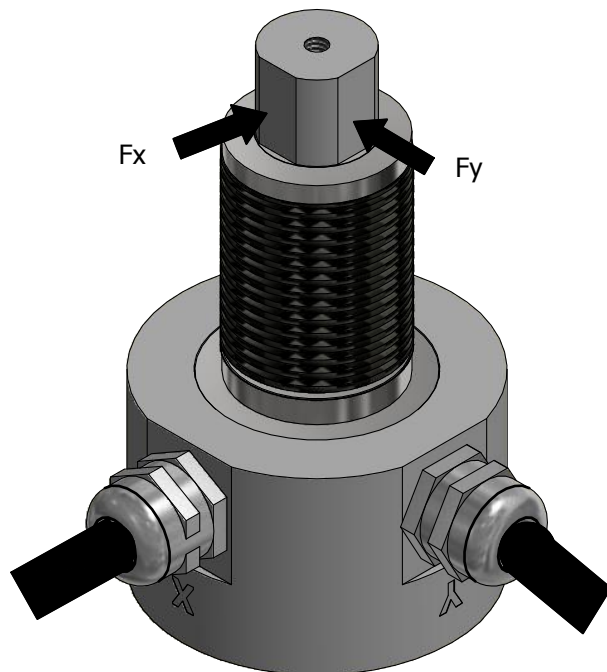
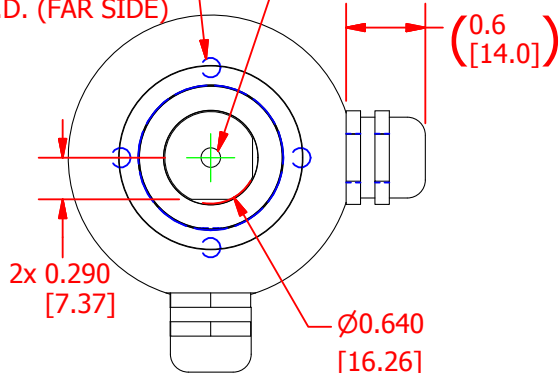
FUTEK MODEL MBA400

Bi-Axial Load Arm, Submersible

ITEM NUMBER: QSH01643

INCH [mm]		R.O.= Rated Output	
WIRING CODE			
+ Excitation	- Excitation	+ Signal	- Signal
RED	BLACK	GREEN	WHITE
Shield	+ Sense	- Sense	
Floating	ORANGE	BLUE	

4x #8-32 X 0.25 [6.4] DEEP
EQUALLY SPACED ON
1.25[31.8] B.C.D. (FAR SIDE)



SPECIFICATIONS:

RATED OUTPUT	2 mV/V nom.
CAPACITY	50 lb [0.222kN]
SAFE OVERLOAD	150% of R.O.
ZERO BALANCE	±1% of R.O.
EXCITATION (VDC OR VAC)	18 MAX
BRIDGE RESISTANCE	350 Ω nom
NONLINEARITY	±0.1% of R.O.
TEMP. SHIFT ZERO	±0.025% of R.O./°F (±0.045 of R.O./°C)
TEMP. SHIFT SPAN	±0.01% of LOAD/°F (±0.018 of LOAD/°C)
COMPENSATED TEMP.	60 to 160 °F (16 to 71 °C)
OPERATING TEMP	-60 to 200 °F (-51 to 93 °C)
PRESSURE	75 psig MAX
WEIGHT (approx)	1 lb
MATERIAL	17-4ph S.S. Flexure
CABLE: 28 Awg, 6 Conductor Braided Shielded Polyurathane Cable, 20 ft Long	

CUSTOMER APPROVAL- COMPANY:

OUTLINE DRAWING

This drawing is submitted solely for the information and exclusive use of the original addressee. It is not to be divulged in whole or in part, by any firm or individual without written permission from:

FUTEK
ADVANCED SENSOR TECHNOLOGY, INC.
10 THOMAS, IRVINE, CA 92618 USA
Phone: (949) 465-0900
Fax: (949) 465-0905

CUSTOMER APPROVAL- NAME / DATE:

STANDARD NOTES: (Unless Otherwise Specified)

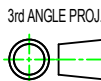
REVISIONS: (Refer to dwg # revision sheet)

ALL DIMENSIONS ARE IN INCHES
DRAWING INTERPRETATION DIMS. PER ASME-Y14.5M
REMOVE BURRS AND BREAK SHARP EDGES .005 - .015
THREADS PER HANDBOOK H-28
DIMENSIONS ARE SHOWN AFTER PLATING

ANGLE:
± 1/2°

CHAMFER:
± 5°

TOLERANCE:
.X ± 0.1"
.XX ± 0.01"
.XXX ± 0.005"



MODEL: **MBA400**

DWG No.: **FO1338**

DRAWN BY: *E. Pano*

CREATED DATE: 1/31/2013

APPROVED BY:

APPROVED DATE:

CHECKED BY:

CAGE: 1X8M6 SHEET: 1 OF 1