

FUTEK MODEL LCF400

ITEM NUMBER: QSH01646

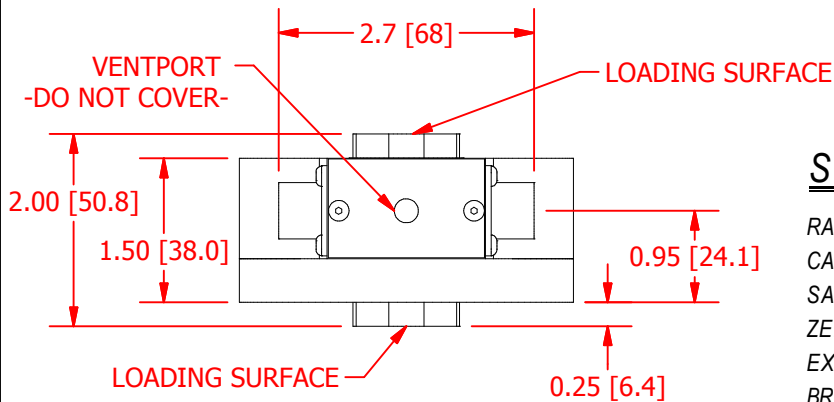
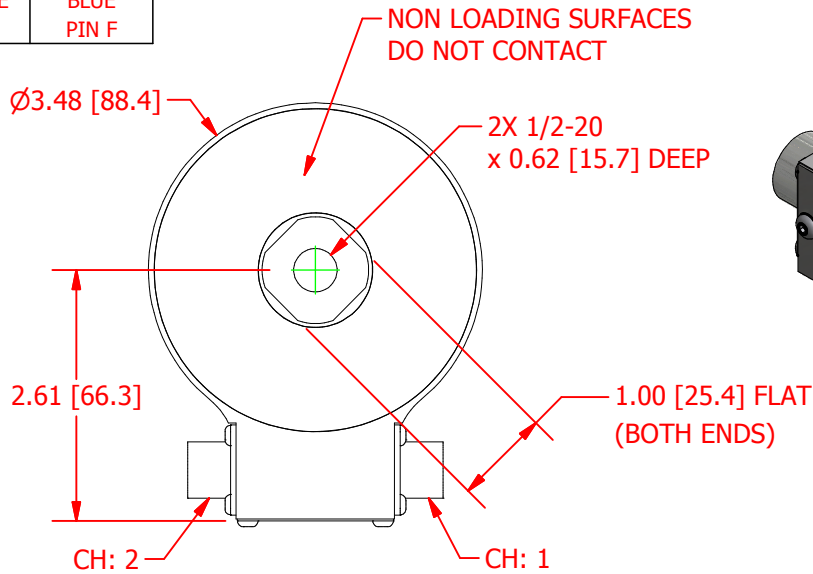
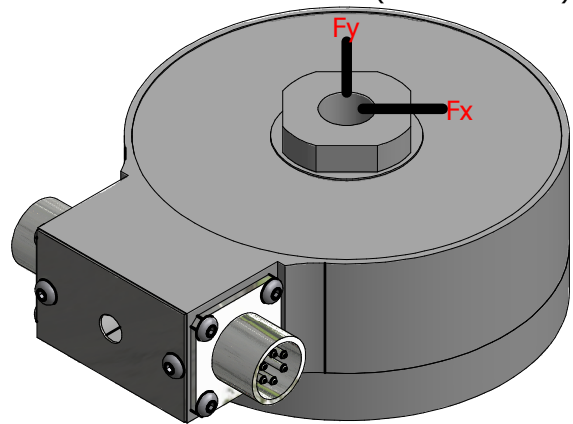
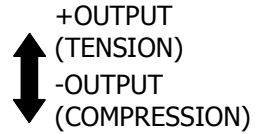
TENSION AND COMPRESSION LOAD CELL, DUAL BRIDGE, VACUUM RATED

INCH [mm] | R.O.= Rated Output

WIRING CODE (CC 1)

+Excitation	-Excitation	+Signal	-Signal
RED PIN A	BLACK PIN B	GREEN PIN C	WHITE PIN D

+Sense	-Sense
ORANGE PIN E	BLUE PIN F



SPECIFICATIONS:

RATED OUTPUT	3 mV/V nom.
CAPACITY	1000 lb [4.448kN]
SAFE OVERLOAD	150% of R.O.
ZERO BALANCE	±1% of R.O.
EXCITATION (VDC OR VAC)	18 MAX
BRIDGE RESISTANCE	700 Ω nom
NONLINEARITY	±0.1% of R.O.
HYSTERESIS	±0.1% of R.O.
NONREPEATABILITY	±0.05% of R.O.
TEMP. SHIFT ZERO	±0.002% of R.O./°F (±0.004 of R.O./°C)
TEMP. SHIFT SPAN	±0.002% of LOAD/°F (±0.004 of LOAD/°C)
COMPENSATED TEMP.	60 to 160 °F (16 to 71 °C)
OPERATING TEMP	-65 to 200 °F (-54 to 93 °C)
WEIGHT (approx)	3 lb
MATERIAL	Stainless Steel
CONNECTORS:	2X 6 Pin BENDIX (PT02E-10-6P)

NOTES:

- 1) Vacuum rated and low outgassing loadcell
- 2) Repress and Depress rates from 15 psia to 0.1 psia in 1 second
- 3) Fx and Fy sideload calibration data @ 50 lb value supplied.

CUSTOMER APPROVAL- COMPANY:	<h2 style="color: green;">OUTLINE DRAWING</h2>	STANDARD NOTES: (Unless Otherwise Specified) ALL DIMENSIONS ARE IN INCHES DRAWING INTERPRETATION DIMS. PER ASME-Y14.5M REMOVE BURRS AND BREAK SHARP EDGES .005 - .015 THREADS PER HANDBOOK H-28 DIMENSIONS ARE SHOWN AFTER PLATING 3rd ANGLE PROJ.	ANGLE: ± 1/2° CHAMFER: ± 5° TOLERANCE: .X ± 0.1" .XX ± 0.01" .XXX ± 0.005"	This drawing is submitted solely for the information and exclusive use of the original addressee. It is not to be divulged in whole or in part, by any firm or individual without written permission from: <b style="font-size: large;">FUTEK ADVANCED SENSOR TECHNOLOGY, INC. 10 THOMAS, IRVINE, CA 92618 USA Phone: (949) 465-0900 Fax: (949) 465-0905	
CUSTOMER APPROVAL- NAME / DATE:				MODEL: <b style="color: green;">LCF400 DWG No.: <b style="color: green;">FO1337 DRAWN BY: <i>R. Walker</i> CREATED DATE: 1/2/2013 APPROVED BY: _____ APPROVED DATE: CHECKED BY: <i>J. Mokhbery</i> CAGE: 1X8M6 SHEET: 1 OF 1	
REVISIONS: (Refer to dwg # revision sheet)	<table border="1" style="width:100%; border-collapse: collapse;"> <tr> <td style="width:50%; height: 20px;"> </td> <td style="width:50%; height: 20px;"> </td> </tr> </table>				