

## Terms and Conditions of Use

This drawing, including all information depicted herein (collectively, "Drawing"), is FUTEK's property and protected under applicable law, including copyright. FUTEK reserves all rights. The Drawing is provided solely for your information and exclusive use. **Except as expressly approved by FUTEK in writing, you may not reproduce or share this Drawing**, in whole or part, with any other firm or individual, or attempt to reverse engineer the Drawing or data contained therein. Any reproduction of this Drawing in whole or part must include this legend.

By accessing the Drawing, you agree that you have read, understand, and agree to abide by the stated Terms and Conditions of Use.

© 2023 FUTEK Advanced Sensor Technology, Inc.

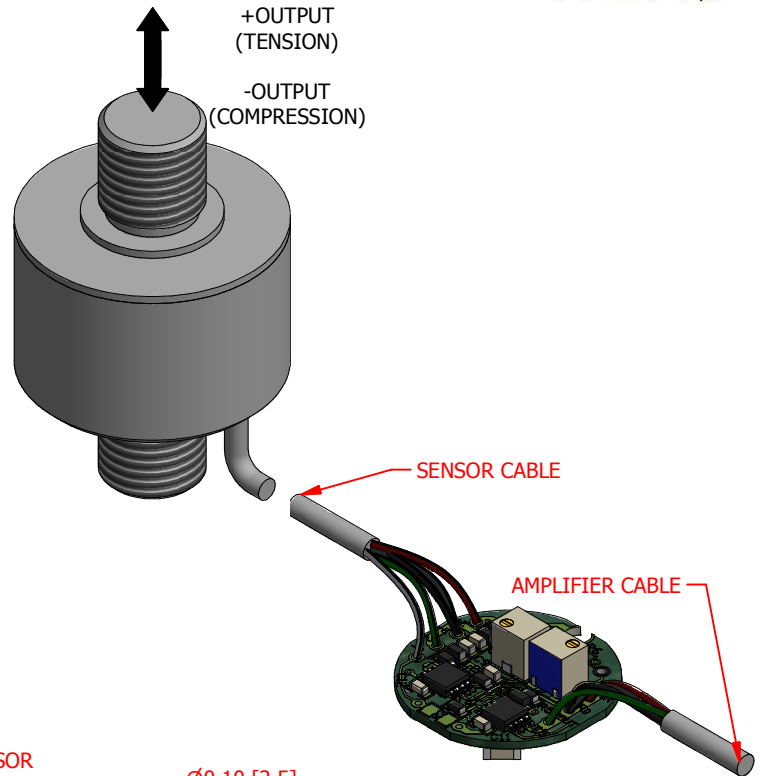
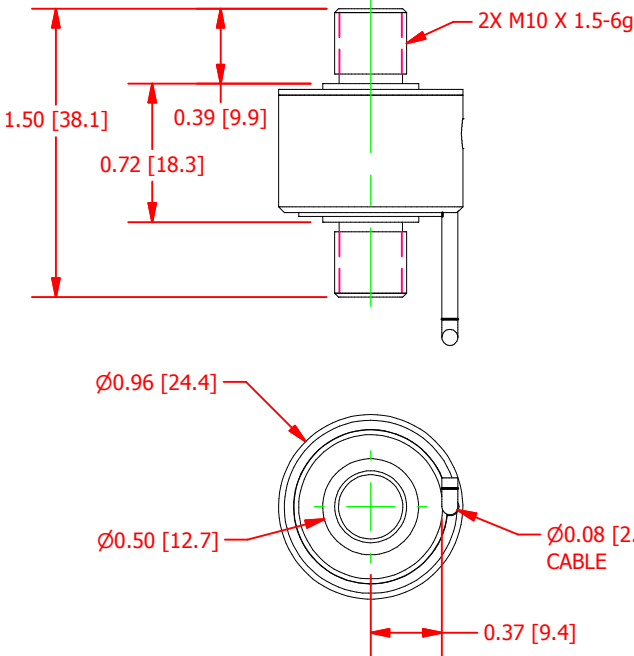
# FUTEK MODEL QLA372

ITEM NUMBER: QSH01662

## Custom Tension & Compression Load Cell, w/ External Amplifier

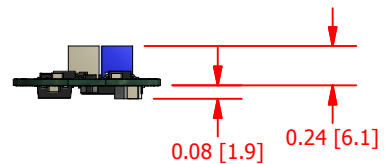
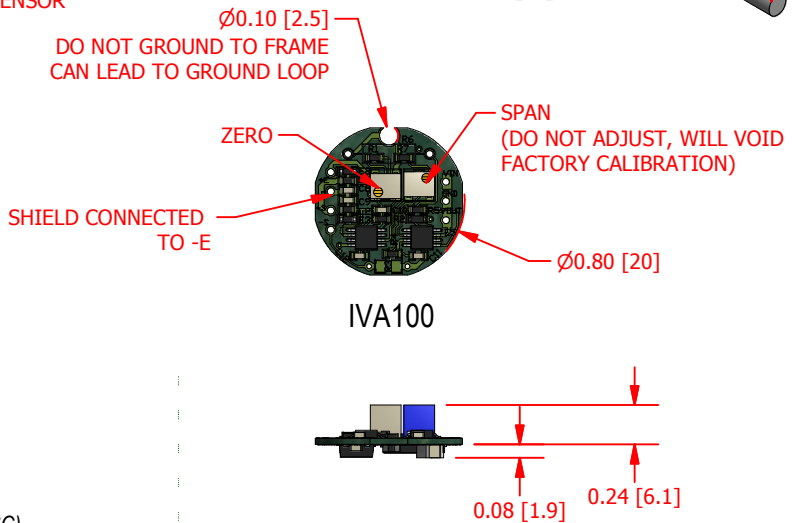


INCH [mm]   R.O.= Rated Output				
SENSOR WIRING CODE (WC 1)				
+ Excitation	- Excitation	+ Signal	-Signal	Ground
RED	BLACK	GREEN	WHITE	SHIELD* (-E)
*SHIELD FLOATING AT SENSOR END				
AMPLIFIER WIRING CODE				
Power Supply (+)	Ground	Voltage Output (+)		
RED	BLACK / SHIELD	GREEN		



### SPECIFICATIONS:

RATED OUTPUT	+/-2 VDC
CAPACITY	3000 lb [13.344kN]
SAFE OVERLOAD	150% of R.O.
ZERO BALANCE	2.5 VDC
POWER SUPPLY (VDC)	12-24
NONLINEARITY	±0.5% of R.O.
HYSTERESIS	±0.5% of R.O.
NONREPEATABILITY	±0.1% of R.O.
TEMP. SHIFT ZERO	±0.01% of R.O./°F (±0.018 of R.O./°C)
TEMP. SHIFT SPAN	±0.02% of LOAD/°F (±0.036 of LOAD/°C)
COMPENSATED TEMP.	60 to 160 °F (16 to 71 °C)
OPERATING TEMP	-45 to 185 °F (-43 to 85 °C)
MATERIAL	17-4ph S.S.
IP RATING (SENSOR ONLY)	IP64
SENSOR CABLE: 29 Awg, 4 Conductor Spiral Shielded Silicone Cable, 6 ft Long	
AMPLIFIER CABLE: 29 Awg, 4 Conductor Spiral Shielded Silicone Cable, 2 ft Long	



CUSTOMER APPROVAL- COMPANY:
CUSTOMER APPROVAL- NAME / DATE:
REVISIONS: (Refer to dwg # revision sheet)

## OUTLINE DRAWING

STANDARD NOTES: (Unless Otherwise Specified)

ALL DIMENSIONS ARE IN INCHES  
DRAWING INTERPRETATION DIMS. PER ASME-Y14.5M  
REMOVE BURRS AND BREAK SHARP EDGES .005 - .015  
THREADS PER HANDBOOK H-28  
DIMENSIONS ARE SHOWN AFTER PLATING

3rd ANGLE PROJ.

ANGLE: ± 1/2°  
CHAMFER: ± 5°  
TOLERANCE:  
.X ± 0.1"  
.XX ± 0.01"  
.XXX ± 0.005"

This drawing, including all information depicted herein (collectively, "Drawing"), is FUTEK's property and protected under applicable law, including copyright. FUTEK reserves all rights. The Drawing is provided solely for your information and exclusive use. Except as expressly approved by FUTEK in writing, you may not reproduce or share this Drawing, in whole or part, with any other firm or individual, or attempt to reverse engineer the Drawing or data contained therein. Any reproduction of this Drawing in whole or part must include this legend.

# FUTEK

MODEL: <b>QLA372</b>	DWG No.: <b>FO1344</b>
DRAWN BY: <i>R. Walker</i>	CREATED DATE: 4/ 4/ 2013
APPROVED BY: _____	APPROVED DATE:
CHECKED BY: <i>J. VARGAS</i>	CAGE: 1X8M6 SHEET: 1 OF 1