

## Terms and Conditions of Use

This drawing, including all information depicted herein (collectively, "Drawing"), is FUTEK's property and protected under applicable law, including copyright. FUTEK reserves all rights. The Drawing is provided solely for your information and exclusive use. **Except as expressly approved by FUTEK in writing, you may not reproduce or share this Drawing**, in whole or part, with any other firm or individual, or attempt to reverse engineer the Drawing or data contained therein. Any reproduction of this Drawing in whole or part must include this legend.

By accessing the Drawing, you agree that you have read, understand, and agree to abide by the stated Terms and Conditions of Use.

© 2023 FUTEK Advanced Sensor Technology, Inc.

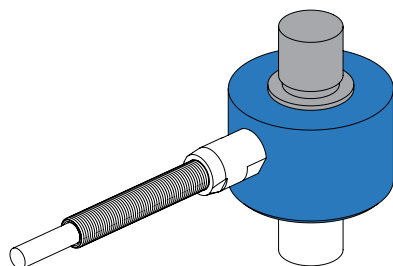
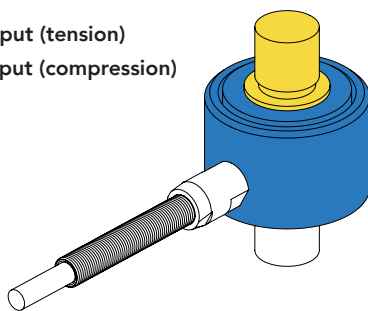


## FEATURES

- Miniature size
- Fast response and low deflection
- Robust cable strain relief
- For use in both tension and compression

- Non-loading surface, do not contact
- Active End
- Fixed End

- + Output (tension)
- Output (compression)



## SPECIFICATIONS

### PERFORMANCE

Nonlinearity	±0.5% of RO
Hysteresis	±0.5% of RO
Nonrepeatability	±0.1% of RO

### ELECTRICAL

Rated Output (RO)	1.3 mV/V (2 klb) 2 mV/V (3 klb)
Excitation (VDC or VAC)	18 max
Bridge Resistance	350 Ohm nom
Insulation Resistance	≥500 MOhm @ 50 VDC
Connection	#28 AWG, 4 conductor, braided shielded PVC cable, 10 ft [3 m] long
Wiring/Connector Code	WC1

### MECHANICAL

Weight (approximate)	4 oz [113 g]
Weight (minus cable)	1.8 oz [51 g]
Safe Overload	150% of RO
Deflection	0.001 in [0.05 mm] nom
Material (flexure)	17-4 PH stainless-steel
IP Rating	IP64

### TEMPERATURE

Operating Temperature	-45 to 200°F (-42 to 93°C)
Compensated Temperature	60 to 160°F (15 to 72°C)
Temperature Shift Zero	±0.005% of RO/°F (0.01% of RO/°C)
Temperature Shift Span	±0.02% of Load/°F (0.036% of Load/°C)

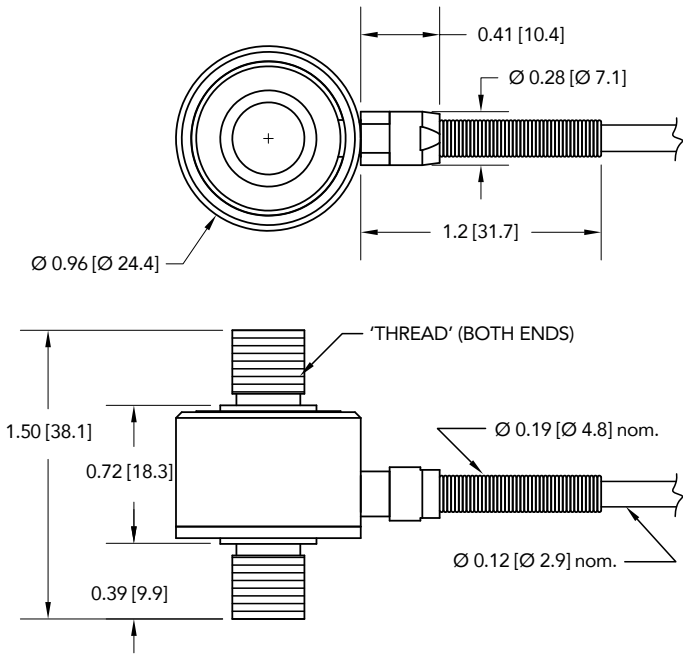
### CALIBRATION

Calibration Test Excitation	10 VDC
Calibration (standard)	5-pt Tension
Calibration (available)	Compression
Shunt Calibration Value	100 kOhm (2 klb), 60.4 kOhm (3 klb)

### Conformity

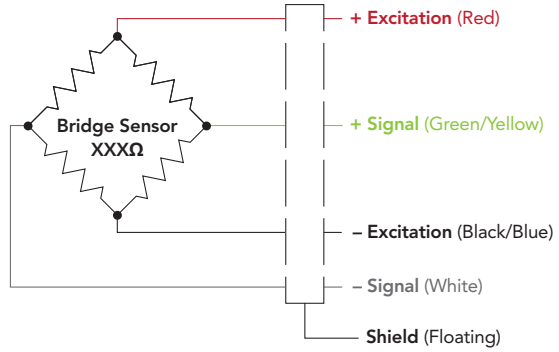
RoHS	EU 2015/863
CE	EN55011:2009; EN61326-1:2006

**DIMENSIONS** inches [mm]



**WIRING CODE (WC1 WITH SHIELD)**

RED	+ EXCITATION
BLACK	- EXCITATION
GREEN	+ SIGNAL
WHITE	- SIGNAL
SHIELD	FLOATING



**CAPACITIES**

ITEM #	klb	kN	Thread	Natural Frequency (kHz)
FSH04009	2	8.9	3/8-24	18
FSH04008	2	8.9	M10x1.5	18
FSH04006	3	13.3	3/8-24	18
FSH04007	3	13.3	M10x1.5	18



Drawing Number: F11399-C

FUTEK reserves the right to modify its design and specifications without notice. Please visit [www.futek.com/salesterms](http://www.futek.com/salesterms) for complete terms and conditions.

10 Thomas, Irvine, CA 92618 USA  
Tel: (949) 465-0900

[www.futek.com](http://www.futek.com)



RoHS



U.S. Manufacturer