

FUTEK MODEL LCM200

ULTRA LIGHT MINIATURE UNIVERSAL THREADED LOAD CELL

Drawing Number: FI1064-B

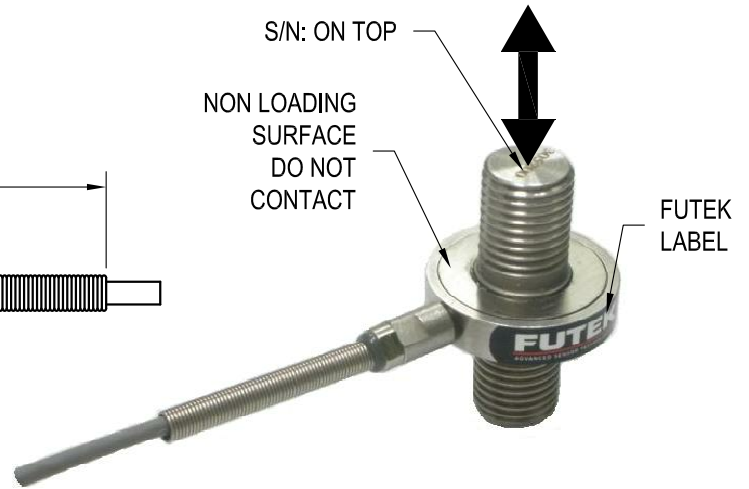
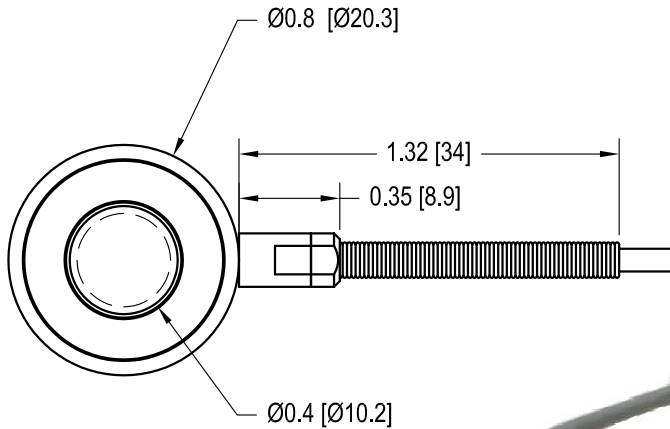
INCH [mm] | R.O.= Rated Output

WIRING CODE (WC1)

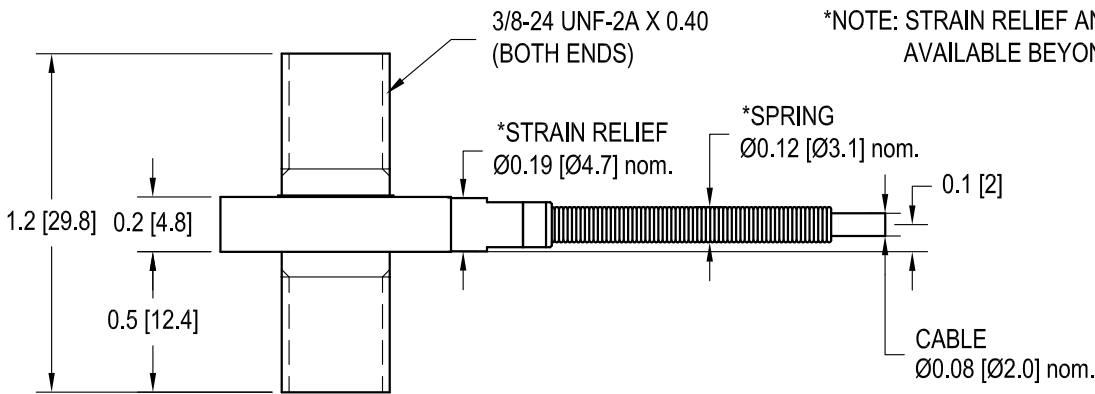
+Excitation	-Excitation	+Signal	-Signal
RED	BLACK	GREEN	WHITE

Shield
FLOATING

+OUTPUT
(TENSION)
-OUTPUT
(COMPRESSION)



*NOTE: STRAIN RELIEF AND SPRING ONLY AVAILABLE BEYOND S/N: 305196



ITEM #	CAPACITIES	
	lb	N
FSH01934	250	1112
FSH01933	500	2224
FSH01932	1000	4448

SPECIFICATIONS:

RATED OUTPUT	1 mV/V nom (250 lb); 2 mV/V nom.
SAFE OVERLOAD	150% of R.O.
ZERO BALANCE	±3% of R.O.
EXCITATION (VDC OR VAC)	15 MAX
BRIDGE RESISTANCE	350 Ω nom.
NONLINEARITY	±0.5% of R.O.
HYSTERESIS	±0.5% of R.O.
NONREPEATABILITY	±0.1% of R.O.
TEMP. SHIFT ZERO	±0.01% of R.O./°F [0.018% of R.O./°C]
TEMP. SHIFT SPAN	±0.02% of LOAD/°F [0.036% of LOAD/°C]
COMPENSATED TEMP.	60 to 250°F [15 to 121°C]
OPERATING TEMP.	-60 to 285°F [-50 to 140°C]
WEIGHT	0.6 oz [17 g]
MATERIAL	17-4PH S.S.**
DEFLECTION	0.002 [0.05] nom.
CABLE: #29 AWG, 4 Conductor, Spiral Shielded Teflon Cable 10 ft [3 m] Long	
ACCESSORIES AND RELATED INSTRUMENTS AVAILABLE	
CALIBRATION (STD)	5 pt. TENSION; 60.4 KΩ SHUNT CAL. VALUE 100 KΩ FOR 250 lb SHUNT CAL. VALUE
CALIBRATION (AVAILABLE)	COMPRESSION
CALIBRATION TEST EXCITATION	10 VDC