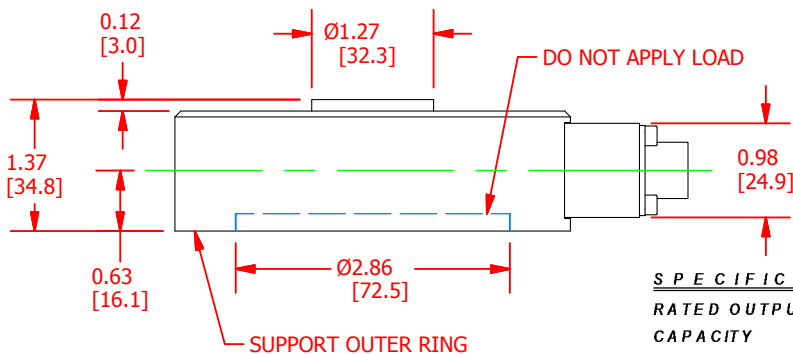
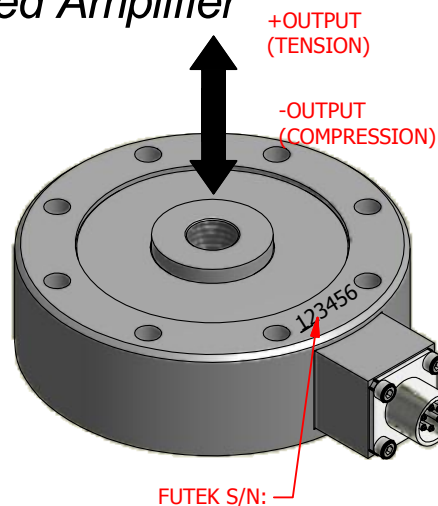
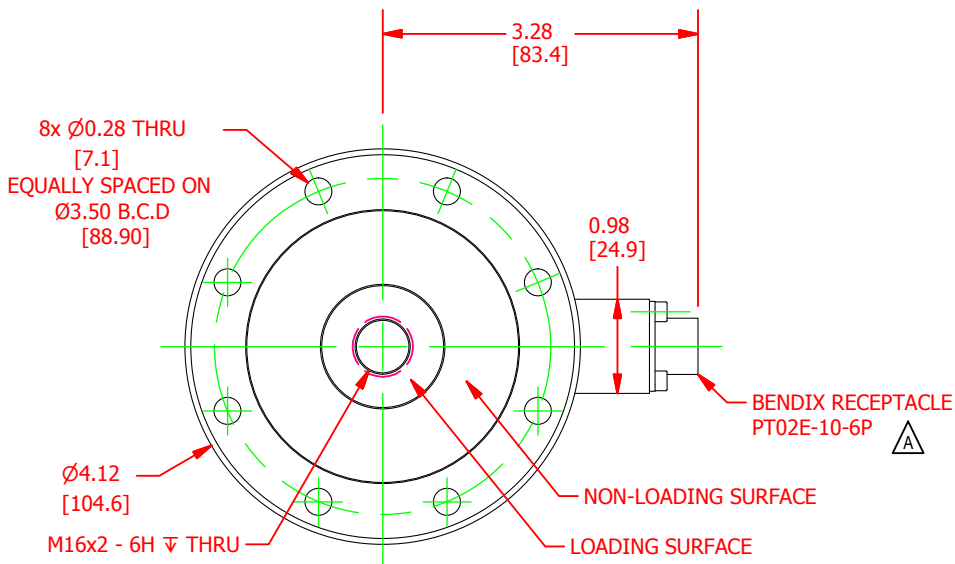


# FUTEK MODEL LCF450

## Low Profile Universal Pancake Load Cell w/ Integrated Amplifier

ITEM NUMBER: See Chart

INCH [mm]		R.O.= Rated Output
CONNECTOR CODE CC1C		
Power Supply (+)	Ground (-)	Current Output (+)
PIN A	PIN B	PIN C



ITEM#	Capacity	Material (Flexure)	Weight
QSH01663	1000 lb	Aluminum	1.4 lb
QSH01676	10000 lb	Stainless Steel	3.6 lb



### SPECIFICATIONS:

RATED OUTPUT	± 8 m A
CAPACITY	See Chart
SAFE OVERLOAD	150% of R.O.
ZERO BALANCE	12 m A
POWER SUPPLY (VDC)	12-24
NONLINEARITY	± 0.1% of R.O.
HYSTERESIS	± 0.2% of R.O.
NONREPEATABILITY	± 0.02% of R.O.
TEMP. SHIFT ZERO	± 0.01% of R.O./°F (± 0.018 of R.O./°C)
TEMP. SHIFT SPAN	± 0.01% of LOAD/°F (± 0.018 of LOAD/°C)
COMPENSATED TEMP.	60 to 160 °F (16 to 71 °C)
OPERATING TEMP	-40 to 180 °F (-40 to 82 °C)
WEIGHT (approx)	See Chart
MATERIAL	See Chart
CONNECTOR: PT02E-10-6P	



CUSTOMER APPROVAL- COMPANY:

## OUTLINE DRAWING

This drawing is submitted solely for the information and exclusive use of the original addressee. It is not to be divulged in whole or in part, by any firm or individual without written permission from:

**FUTEK**  
ADVANCED SENSOR TECHNOLOGY, INC.  
10 THOMAS, IRVINE, CA 92618 USA  
Phone: (949) 465-0900  
Fax: (949) 465-0905

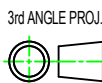
CUSTOMER APPROVAL- NAME / DATE:

STANDARD NOTES: (Unless Otherwise Specified)  
ALL DIMENSIONS ARE IN INCHES  
DRAWING INTERPRETATION DIMS. PER ASME-Y14.5M  
REMOVE BURRS AND BREAK SHARP EDGES .005-.015  
THREADS PER HANDBOOK H-28  
DIMENSIONS ARE SHOWN AFTER PLATING

ANGLE:  
± 1/2°

CHAMFER:  
± 5°

TOLERANCE:  
.X ± 0.1"  
.XX ± 0.01"  
.XXX ± 0.005"



MODEL: **LCF450**

DWG No.: **FO1345-A**

DRAWN BY: *E. Pano*

CREATED DATE: 4/8/2013

APPROVED BY: *R. Walker*

APPROVED DATE: 4/22/2013

CHECKED BY:

CAGE: 1X8M6 SHEET: 1 OF 1

REVISIONS: (Refer to dwg # revision sheet)

A	8/22/2013
---	-----------