

FUTEK MODEL QLA372

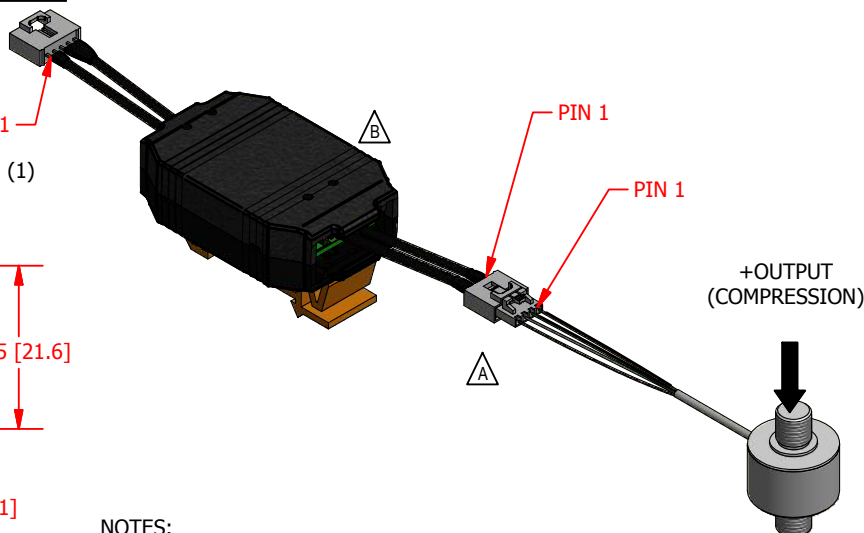
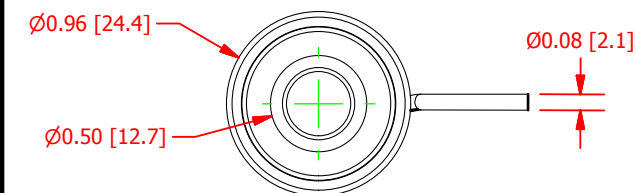
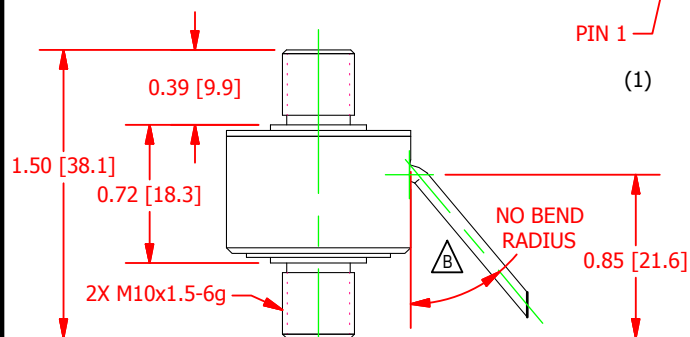
ITEM NUMBER: QSH01693

Custom Water Resistant Tension & Compression Load Cell, w/ External Amplifier



INCH [mm] | R.O.= Rated Output

SENSOR WIRING CODE (WC 1)				
+ Excitation	- Excitation	+ Signal	-Signal	Shield
Pin1- RED	Pin4- BLACK	Pin2- GREEN	Pin3- WHITE	FLOATING
AMPLIFIER WIRING CODE				
Power Supply (+)	Ground	Voltage Output (+)	SHUNT	
PIN 1-RED	Pin 4/5-BLACK	Pin 2- GREEN	Pin 3- WHITE	

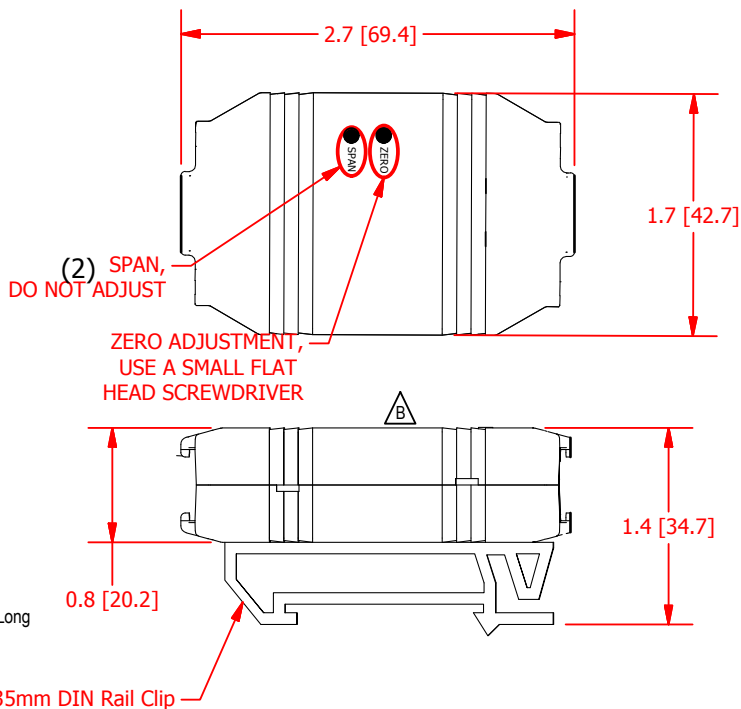


NOTES:

- 1) Shunt Test: Provide 5-15VDC to Pin 3 to simulate approximately 72% of R.O.
- 2) Span Adjustment. DO NOT ADJUST, WILL VOID FACTORY CALIBRATION.

SPECIFICATIONS:

RATED OUTPUT	4 VDC
CAPACITY	3000 lb [13.34 kN]
SAFE OVERLOAD	150% of R.O.
ZERO BALANCE	0.5 VDC
POWER SUPPLY (VDC)	12.5-26 VDC @ 150 mA
SHUNT INPUT (VDC)	5-15 VDC
NONLINEARITY	±0.5% of R.O.
HYSTERESIS	±0.5% of R.O.
NONREPEATABILITY	±0.1% of R.O.
TEMP. SHIFT ZERO	±0.01% of R.O./°F (±0.018 of R.O./°C)
TEMP. SHIFT SPAN	±0.02% of LOAD/°F (±0.036 of LOAD/°C)
COMPENSATED TEMP.	60 to 158 °F (16 to 70 °C)
OPERATING TEMP	-32 to 158 °F (-36 to 70 °C)
MATERIAL (Sensor Flexure)	17-4ph S.S.
IP RATING (SENSOR)	IP64
IP RATING (AMPLIFIER)	IP30
CALIBRATION:	5pt. COMPRESSION; 60.4 KΩ SHUNT CAL VALUE
CALIBRATION TEST EXCITATION	15 VDC
SENSOR CABLE:	29 Awg, 4 Conductor Spiral Shielded Silicone Cable, 6 ft Long
AMPLIFIER CABLE:	26 Awg, Teflon Cable, 2 in Long
AMPLIFIER CONNECTOR (Output)	Molex 70543-0004
AMPLIFIER CONNECTOR (Sensor)	Molex 70543-0003
SENSOR CONNECTOR	Molex 050579404



CUSTOMER APPROVAL- COMPANY:

CUSTOMER APPROVAL- NAME / DATE:

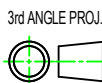
REVISIONS: (Refer to dwg # revision sheet)

A	09/13/13
B	09/27/13

OUTLINE DRAWING

STANDARD NOTES: (Unless Otherwise Specified)

ALL DIMENSIONS ARE IN INCHES
DRAWING INTERPRETATION DIMS. PER ASME-Y14.5M
REMOVE BURRS AND BREAK SHARP EDGES .005 - .015
THREADS PER HANDBOOK H-28
DIMENSIONS ARE SHOWN AFTER PLATING



ANGLE:
± 1/2

CHAMFER:
± 5

TOLERANCE:
.X ± 0.1"
.XX ± 0.01"
.XXX ± 0.005"

This drawing is submitted solely for the information and exclusive use of the original addressee. It is not to be divulged in whole or in part, by any firm or individual without written permission from:

FUTEK
ADVANCED SENSOR TECHNOLOGY, INC.
10 THOMAS, IRVINE, CA 92618 USA
Phone: (949) 465-0900
Fax: (949) 465-0905

MODEL: **QLA372**

DWG No.: **FO1344-B**

DRAWN BY: *E. Pano*

CREATED DATE: *9/6/2013*

APPROVED BY: _____

APPROVED DATE:

CHECKED BY: *J. VARGAS*

CAGE: 1X8M6 SHEET: 1 OF 1