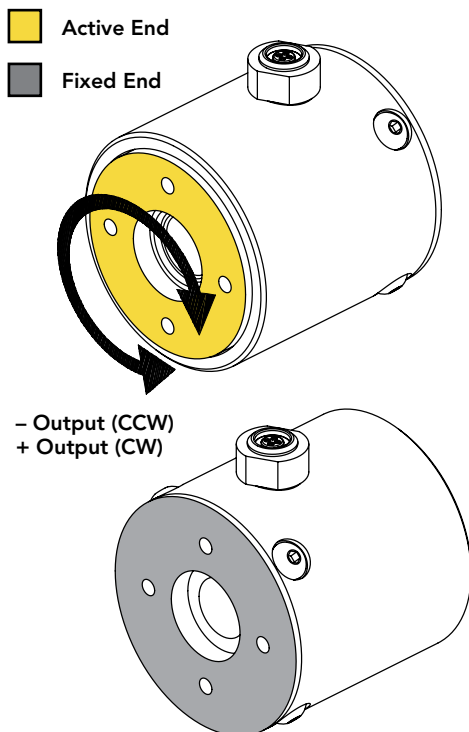




FEATURES

- Easily integrates into OEM applications
- Designed for Torque auditing
- Aluminum construction
- Built-in overload protection on lower ranges
- Strain gauge based



SPECIFICATIONS

PERFORMANCE

Nonlinearity	±0.2% of RO
Hysteresis	±0.2% of RO
Nonrepeatability	±0.05% of RO

ELECTRICAL

Rated Output (RO)	1 mV/V nom (5 in-oz) 2 mV/V nom (10 in-oz to 500 in-lb)
Excitation (VDC or VAC)	18 max
Bridge Resistance	350 Ohm nom (5 to 1000 in-oz) 700 Ohm nom (100 to 500 in-lb)
Connection	4 Pin LEMO® Receptacle (EGG. OB. 304 CLL)
Wiring/Connector Code	CC4

MECHANICAL

Weight (approximate)	9 oz [250 g]
Safe Overload	300% (5 to 400 in-oz) of RO 150% (1000 in-oz to 500 in-lb) of RO
Material	Aluminum
IP Rating	IP40

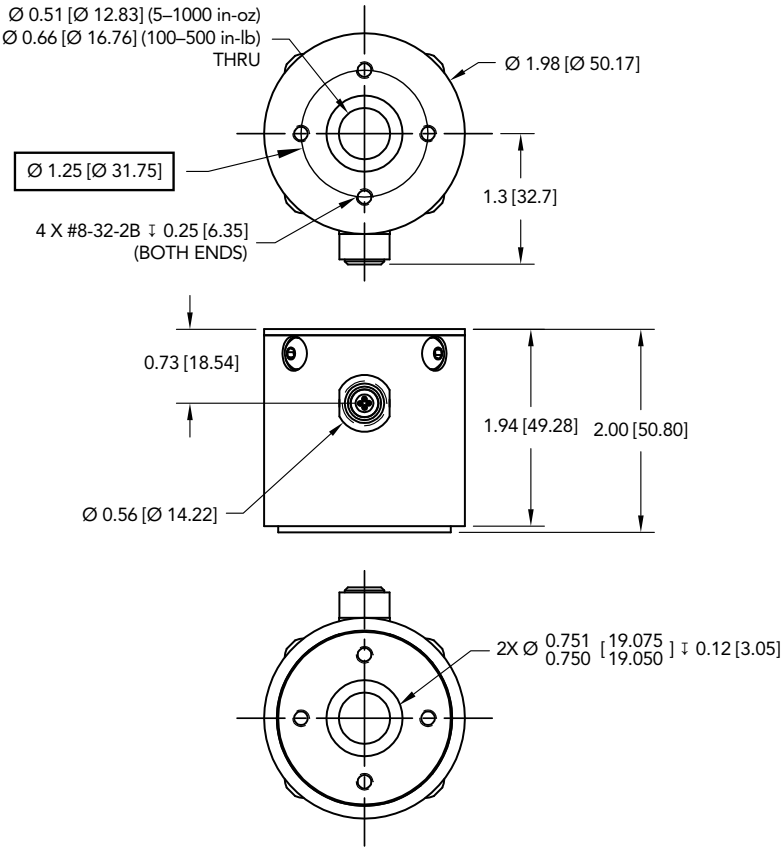
TEMPERATURE

Operating Temperature	-60 to 200°F (-50 to 93°C)
Compensated Temperature	60 to 160°F (15 to 72°C)
Temperature Shift Zero	±0.002% of RO/°F (0.0036% of RO/°C)
Temperature Shift Span	±0.002% of Load/°F (0.0036% of Load/°C)

CALIBRATION

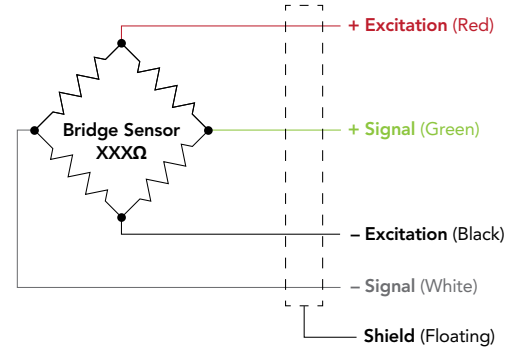
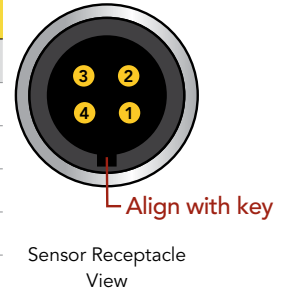
Calibration Test Excitation	10 VDC
Calibration (standard)	5-pt CW
Calibration (available)	5-pt CW & CCW
Shunt Calibration Value	60.4 kOhm (10 to 1000 in-oz) 100 kOhm (5 in-oz, 100 to 500 in-lb)

DIMENSIONS inches [mm]



LEMO 4-PIN

PIN	COLOR	DESCRIPTION
1	Red	+ Excitation
2	Green	+ Signal
3	White	- Signal
4	Black	- Excitation



CAPACITIES

ITEM #	in-oz	Nm	Torsional Stiffness in-oz/rad	Natural Frequency (Hz)
FSH03988	5*	0.04	460	110
FSH03989	10*	0.07	460	110
FSH03990	50*	0.35	3100	300
FSH03991	160*	1.1	16900	440
FSH03992	400*	2.8	53900	1000
FSH03993	1000	7.1	147000	1700
FSH03994	100 in-lb	11	38000 in-lb/rad	3400
FSH03995	200 in-lb	22	51000 in-lb/rad	3900
FSH03996	500 in-lb	56	119000 in-lb/rad	6000

* WITH OVERLOAD PROTECTION
 FOR HIGHER CAPACITIES REFER TO MODELS TFF600–750 AND TDF600–675

Drawing Number: F11439

FUTEK reserves the right to modify its design and specifications without notice.
 Please visit <http://www.futek.com/salesterms> for complete terms and conditions.

10 Thomas, Irvine, CA 92618 USA

Tel: (949) 465-0900

Fax: (949) 465-0905

www.futek.com



RoHS



U.S. Manufacturer