

## Terms and Conditions of Use

This drawing, including all information depicted herein (collectively, "Drawing"), is FUTEK's property and protected under applicable law, including copyright. FUTEK reserves all rights. The Drawing is provided solely for your information and exclusive use. **Except as expressly approved by FUTEK in writing, you may not reproduce or share this Drawing**, in whole or part, with any other firm or individual, or attempt to reverse engineer the Drawing or data contained therein. Any reproduction of this Drawing in whole or part must include this legend.

By accessing the Drawing, you agree that you have read, understand, and agree to abide by the stated Terms and Conditions of Use.

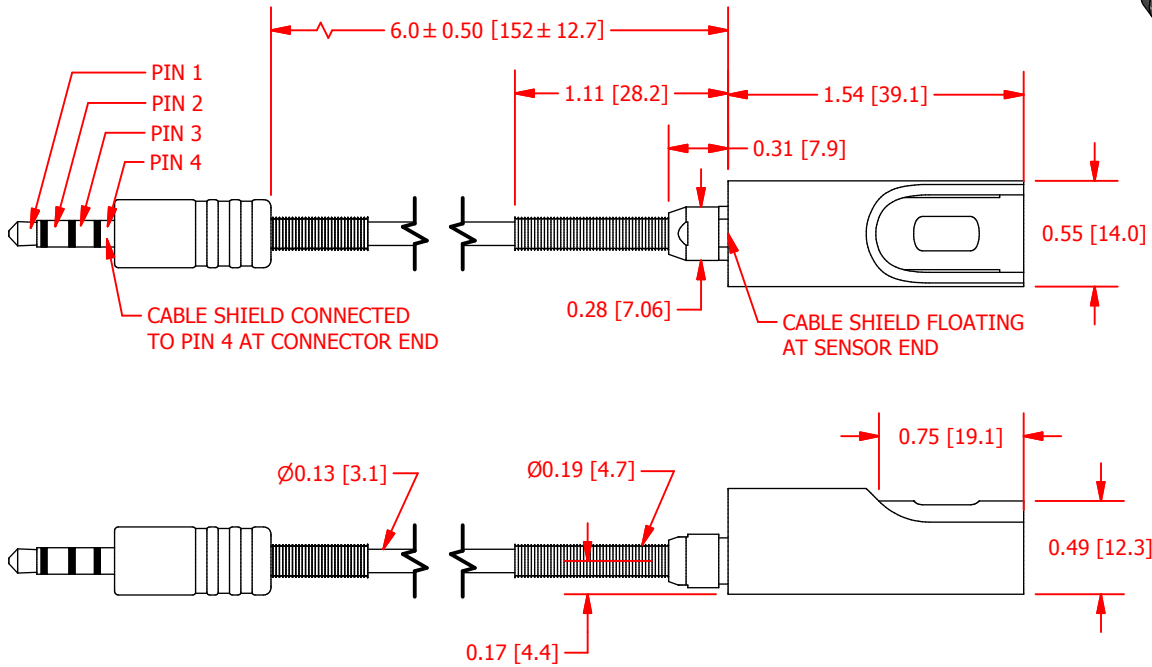
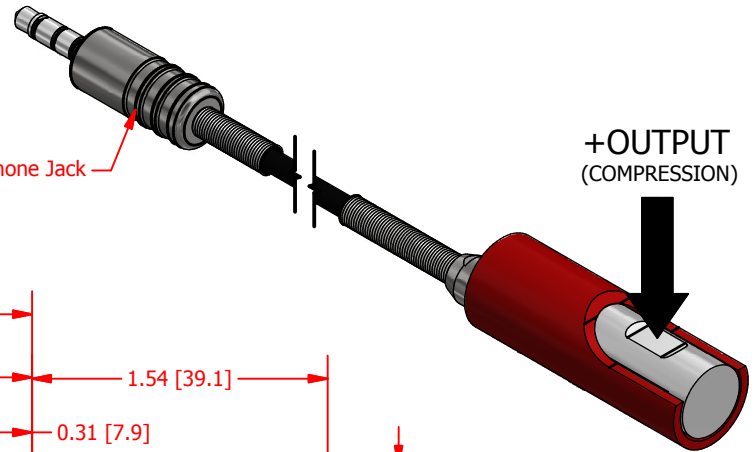
© 2023 FUTEK Advanced Sensor Technology, Inc.

# FUTEK MODEL LMD300

ITEM NUMBER: QSH01735

## PINCH SENSOR WITH 3.5 mm STEREO TRRS HEADPHONE JACK

INCH [mm]		R.O.= Rated Output	
WIRING CODE			
+ Excitation	- Excitation	+ Signal	- Signal
RED	BLACK	GREEN	WHITE
PIN 2	PIN 4	PIN 3	PIN 1
Shield			
See Drawing			



### SPECIFICATIONS:

RATED OUTPUT	2 mV/V
CAPACITY	50 lb [222 N]
SAFE OVERLOAD	200% of R.O.
ZERO BALANCE	±3% of R.O.
EXCITATION (VDC OR VAC)	18 MAX
BRIDGE RESISTANCE	1000 Ω nom
NONLINEARITY	±0.5% of R.O.
TEMP. SHIFT ZERO	±0.01% of R.O./°F (±0.018 of R.O./°C)
TEMP. SHIFT SPAN	±0.02% of LOAD/°F (±0.036 of LOAD/°C)
COMPENSATED TEMP.	60 to 160 °F (16 to 71 °C)
OPERATING TEMP	0 to 160 °F (-18 to 71 °C)
WEIGHT	0.7 oz [20 g]
DEFLECTION	0.005 [0.13] nom
MATERIAL (COVER)	ALUMINUM, RED ANODIZED COVER
CABLE	#28 Awg, 4 Conductor Braided Shielded PVC Cable, 6in Long to 3.5mm Headphone Jack
ACCESSORIES AND RELATED INSTRUMENTS	AVAILABLE
CALIBRATION (STD)	2 pt COMPRESSION; 150KΩ SHUNT CAL. VALUE
CALIBRATION TEST EXCITATION	10 VDC

CUSTOMER APPROVAL- COMPANY:

## OUTLINE DRAWING

**FUTEK**

This drawing, including all information depicted herein (collectively, "Drawing"), is FUTEK's property and protected under applicable law, including copyright. FUTEK reserves all rights. The Drawing is provided solely for your information, and exclusive use. Except as expressly approved by FUTEK in writing, you may not reproduce or share this Drawing, in whole or part, with any other firm or individual, or attempt to reverse engineer the Drawing or data contained therein. Any reproduction of this Drawing in whole or part must include this legend.

CUSTOMER APPROVAL- NAME / DATE:

STANDARD NOTES: (Unless Otherwise Specified)

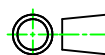
REVISIONS: (Refer to dwg # revision sheet)

ALL DIMENSIONS ARE IN INCHES  
DRAWING INTERPRETATION DIMS. PER ASME-Y14.5M  
REMOVE BURRS AND BREAK SHARP EDGES .005 - .015  
THREADS PER HANDBOOK H-28  
DIMENSIONS ARE SHOWN AFTER PLATING

ANGLE:  
± 1/2°

CHAMFER:  
± 5°

3rd ANGLE PROJ.  
TOLERANCE:  
.X ± 0.1"  
.XX ± 0.01"  
.XXX ± 0.005"



MODEL: **LMD300**

DWG No.: **FO1361**

DRAWN BY: M. Lisiak

CREATED DATE: 2/27/2014

APPROVED BY: R. Walker

APPROVED DATE: 2/28/2014

CHECKED BY:

CAGE: 1X8M6 SHEET: 1 OF 1