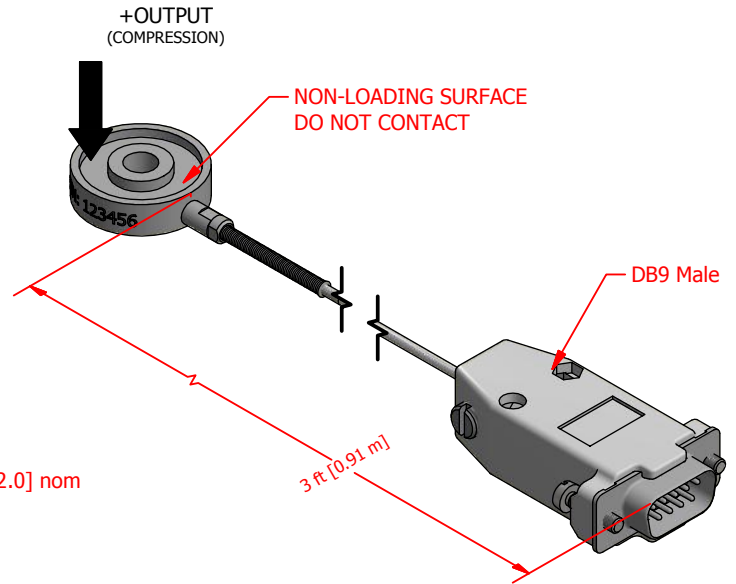
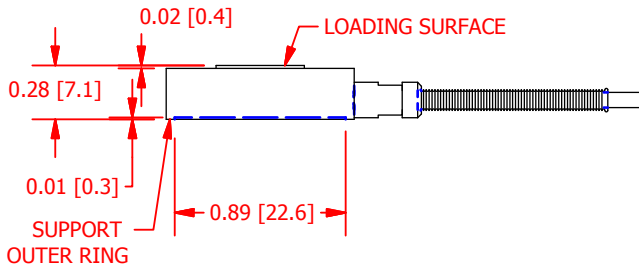
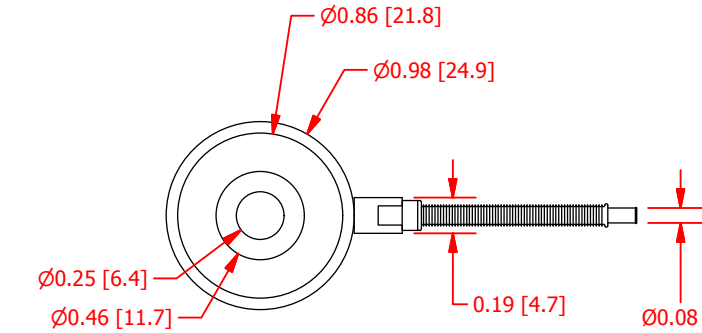


# FUTEK MODEL LTH300

ITEM NUMBER: QSH01754

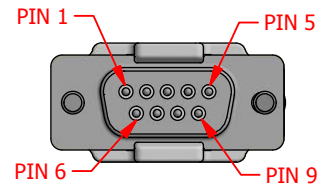
## DONUT LOAD CELL w/ TEDS (IEEE1451.4) RECOGNITION AND DB9 MALE

INCH [mm]		R.O.= Rated Output		
WIRING CODE (CC15)				
+ Excitation	- Excitation	+ Signal	- Signal	
PIN 2	PIN 7	PIN 1	PIN 6	
Shield	TEDS DATA	TEDS GND	+ Sense	-Sense
FLOATING	PIN 5	PIN 9	PIN 4	PIN 8



### SPECIFICATIONS

RATED OUTPUT	0.2 mV/V Nom.
CAPACITY	5 lb [22.2 N]
SAFE OVERLOAD	150% of R.O.
ZERO BALANCE	±30 % of R.O.
EXCITATION (VDC OR VAC)	10 MAX
BRIDGE RESISTANCE	700 Ω nom
NONLINEARITY	±1.0% of R.O.
HYSTERESIS	±1% of R.O.
NONREPEATABILITY	±0.5% of R.O.
TEMP. SHIFT ZERO	±0.2% of R.O./°F (±0.36 of R.O./°C)
TEMP. SHIFT SPAN	±0.1% of LOAD/°F (±0.18 of LOAD/°C)
COMPENSATED TEMP.	60 to 90 °F (16 to 32 °C)
OPERATING TEMP	-40 to 185 °F (-40 to 85 °C)
WEIGHT (approx)	0.1 lb
MATERIAL	17-4 PH S.S
CABLE	Spiral Shielded Cable, 3 ft Long
CONNECTOR	DB9 MALE



DB9 FRONT SIDE VIEW  
SEE WIRING CODE TABLE FOR PIN OUTS

CUSTOMER APPROVAL- COMPANY:

## OUTLINE DRAWING

This drawing is submitted solely for the information and exclusive use of the original addressee. It is not to be divulged in whole or in part, by any firm or individual without written permission from:

**FUTEK**  
ADVANCED SENSOR TECHNOLOGY, INC.  
10 THOMAS, IRVINE, CA 92618 USA  
Phone: (949) 465-0900  
Fax: (949) 465-0905

CUSTOMER APPROVAL- NAME / DATE:

STANDARD NOTES: (Unless Otherwise Specified)

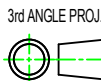
REVISIONS: (Refer to dwg # revision sheet)

ALL DIMENSIONS ARE IN INCHES  
DRAWING INTERPRETATION DIMS. PER ASME-Y14.5M  
REMOVE BURRS AND BREAK SHARP EDGES .005 - .015  
THREADS PER HANDBOOK H-28  
DIMENSIONS ARE SHOWN AFTER PLATING

ANGLE:  
± 1/2°

CHAMFER:  
± 5°

TOLERANCE:  
.X ± 0.1"  
.XX ± 0.01"  
.XXX ± 0.005"



MODEL: **LTH300**

DWG No.: **FO1372**

DRAWN BY: *E. Pano*

CREATED DATE: 6/12/2014

APPROVED BY: *J. Varqas*

APPROVED DATE: 7/9/2014

CHECKED BY:

CAGE: 1X8M6 SHEET: 1 OF 1