

Terms and Conditions of Use

This drawing, including all information depicted herein (collectively, "Drawing"), is FUTEK's property and protected under applicable law, including copyright. FUTEK reserves all rights. The Drawing is provided solely for your information and exclusive use. **Except as expressly approved by FUTEK in writing, you may not reproduce or share this Drawing**, in whole or part, with any other firm or individual, or attempt to reverse engineer the Drawing or data contained therein. Any reproduction of this Drawing in whole or part must include this legend.

By accessing the Drawing, you agree that you have read, understand, and agree to abide by the stated Terms and Conditions of Use.

© 2023 FUTEK Advanced Sensor Technology, Inc.

FUTEK MODEL QLA359

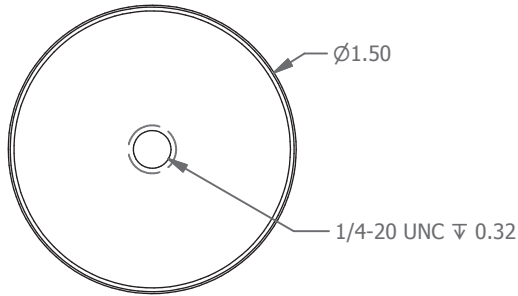
Custom Side Force Load Cell

ITEM NUMBER: QSH01765

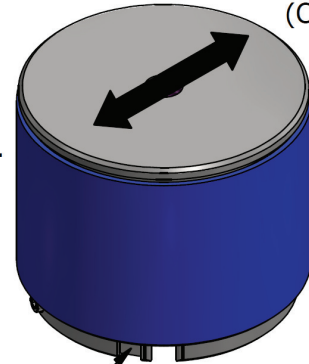
INCH [mm] | R.O.= Rated Output

WIRING CODE			
+Excitation	-Excitation	+Signal	-Signal
RED	BLACK	GREEN	WHITE
Shield			
Floating			

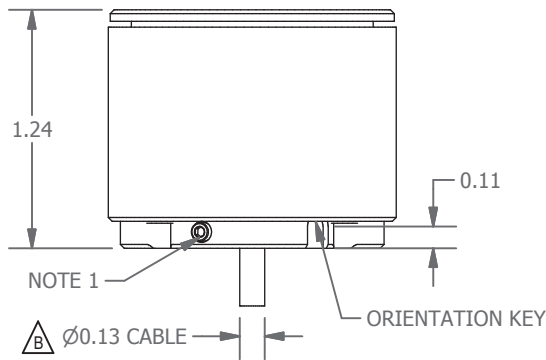
-OUTPUT
(COMPRESSION)



+OUTPUT
(TENSION)

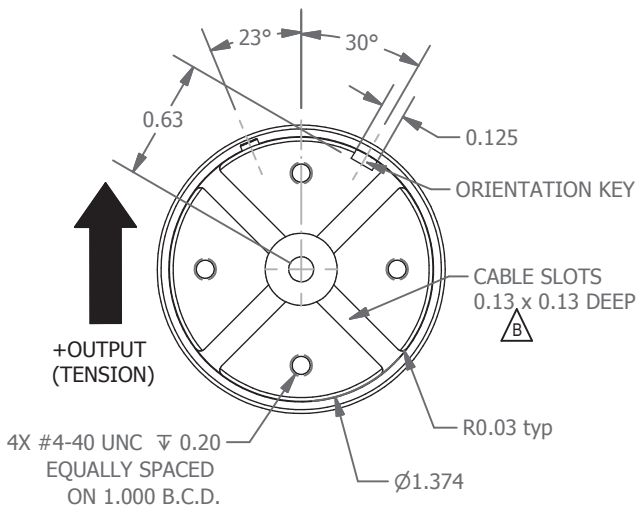


ORIENTATION KEY



SPECIFICATIONS:

RATED OUTPUT	1.5 mV/V
CAPACITY	15 lb
SAFE OVERLOAD	30 lb
ZERO BALANCE	±2% of R.O.
EXCITATION (VDC OR VAC)	15 MAX
BRIDGE RESISTANCE	2000 Ω nom
NONLINEARITY	±0.1% of R.O.
HYSTERESIS	±0.1% of R.O.
NONREPEATABILITY	±0.05% of R.O.
TEMP. SHIFT ZERO	±0.01% of R.O./°F (±0.018 of R.O./°C)
TEMP. SHIFT SPAN	±0.01% of LOAD/°F (±0.018 of LOAD/°C)
COMPENSATED TEMP.	32 to 160 °F (0 to 71°C)
OPERATING TEMP	-40 to 200 °F (-40 to 93°C)
MATERIAL	Aluminum, Blue Anodized Cover
CABLE: 28 AWG, 4 Conductor Braided Shielded PVC Cable, 3 ft Long	



NOTES:

1) DO NOT REMOVE COVER RETAINING SCREW.

CUSTOMER APPROVAL- COMPANY:		OUTLINE DRAWING		FUTEK	
CUSTOMER APPROVAL- NAME / DATE:				STANDARD NOTES: (Unless Otherwise Specified)	
REVISIONS: (Refer to dwg # revision sheet)		ALL DIMENSIONS ARE IN INCHES DRAWING INTERPRETATION DIMS. PER ASME-Y14.5M REMOVE BURRS AND BREAK SHARP EDGES .005 - .015 THREADS PER HANDBOOK H-28 DIMENSIONS ARE SHOWN AFTER PLATING		MODEL: QLA359 DWG No.: FO1320-B DRAWN BY: <i>M.Kolahdooz</i> CREATED DATE: <i>7/7/2012</i> APPROVED BY: <i>R.Walker</i> APPROVED DATE: <i>7/7/2012</i> CHECKED BY: CAGE: 1X8M6 SHEET: 1 OF 1	
A	8/03/2012	ANGLE: ± 1/2° CHAMFER: ± 5° TOLERANCE: .X ± 0.1" .XX ± 0.01" .XXX ± 0.005"			
B	10/20/2014				