

# FUTEK MODEL LTH400

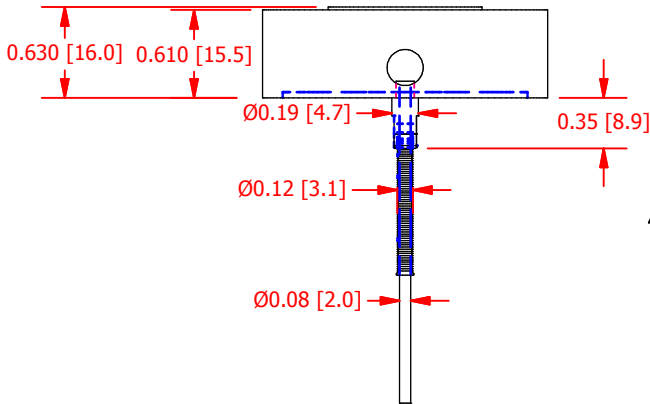
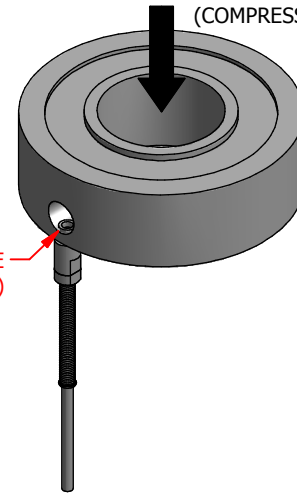
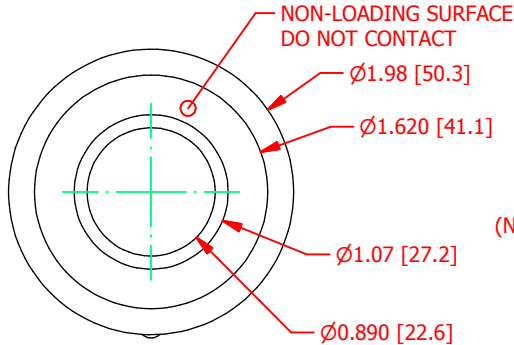
ITEM NUMBER: QSH01798

CUSTOM DONUT LOAD CELL, FOR HIGH PRESSURE AND LARGE TEMPERATURE RANGE, RoHS COMPLIANT

INCH [mm]		R.O.= Rated Output	
WIRING CODE			
+ Excitation	- Excitation	+ Signal	- Signal
RED	BLACK	GREEN	WHITE
Shield			
FLOATING			



+OUTPUT  
(COMPRESSION)

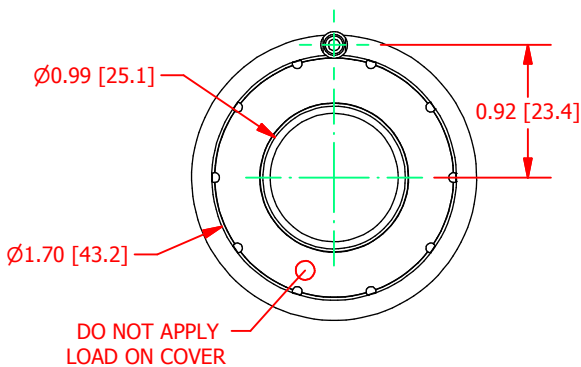


**NOTES:**

- 1) MAX ALLOWABLE PRESSURE 20000 PSI.
- 2) SENSOR TO BE USED IN NON-CONDUCTIVE OIL.
- 3) CALIBRATION TO BE PERFORMED DRY, AT 73°F±10 AND ≈1 ATM PRESSURE.
- 4) CABLE ASSEMBLY PER IPC620 CLASS 2

**SPECIFICATIONS:**

RATED OUTPUT	1.7 mV/V nom.
CAPACITY	350 lb. [1554N]
SAFE OVERLOAD	150 % of R.O.
ZERO BALANCE	±3% of R.O.
EXCITATION (VDC OR VAC)	18 MAX
BRIDGE RESISTANCE	700 Ω nom.
NONLINEARITY	±0.5% of R.O.
HYSTERESIS	±0.5% of R.O.
NONREPEATABILITY	±0.5% of R.O.
TEMP. SHIFT ZERO	±0.01% of R.O./°F (±0.018 of R.O./°C)
TEMP. SHIFT SPAN	±0.01% of LOAD/°F (±0.018 of LOAD/°C)
COMPENSATED TEMP.	70 to 350 °F (21 to 177 °C)
OPERATING TEMP	-60 to 350 °F (-51 to 177 °C)
MATERIAL	STAINLESS STEEL
CABLE: #29 Awg 4 Conductor Spiral Shielded Teflon Cable, 3 ft [0.9 m] Long	
RoHS COMPLIANT	2011/65/EU
CE COMPLIANCE	EN55011:2009 EN 61326-1:2006



CUSTOMER APPROVAL- COMPANY:	
CUSTOMER APPROVAL- NAME / DATE:	
REVISIONS: (Refer to dwg # revision sheet)	
A	5-30-17

## OUTLINE DRAWING

STANDARD NOTES: (Unless Otherwise Specified)  
 ALL DIMENSIONS ARE IN INCHES  
 DRAWING INTERPRETATION DIMS. PER ASME-Y14.5M  
 REMOVE BURRS AND BREAK SHARP EDGES .005 - .015  
 THREADS PER HANDBOOK H-28  
 DIMENSIONS ARE SHOWN AFTER PLATING

ANGLE: ± 1/2°  
 CHAMFER: ± 5°  
 TOLERANCE:  
 .X ± 0.1"  
 .XX ± 0.01"  
 .XXX ± 0.005"

3rd ANGLE PROJ.

This drawing is submitted solely for the information and exclusive use of the original addressee. It is not to be divulged in whole or in part, by any firm or individual without written permission from:

**FUTEK**  
 ADVANCED SENSOR TECHNOLOGY, INC.  
 10 THOMAS, IRVINE, CA 92618 USA  
 Phone: (949) 465-0900  
 Fax: (949) 465-0905

MODEL: <b>LTH400</b>	DWG No.: <b>FO1391-A</b>
DRAWN BY: <i>E. Pano</i>	CREATED DATE: 5/18/2015
APPROVED BY: <i>R. Walker</i>	APPROVED DATE: 7/9/2015
CHECKED BY:	CAGE: 1X8M6 SHEET: 1 OF 1