

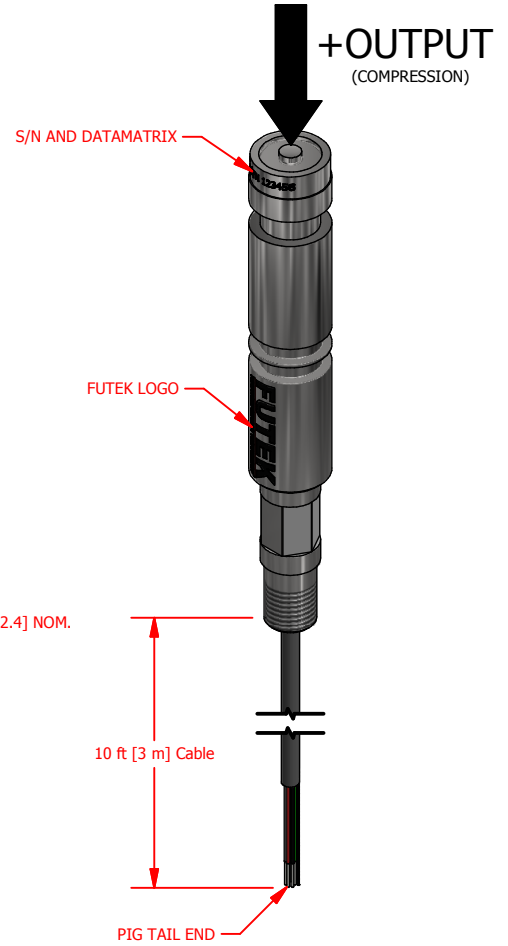
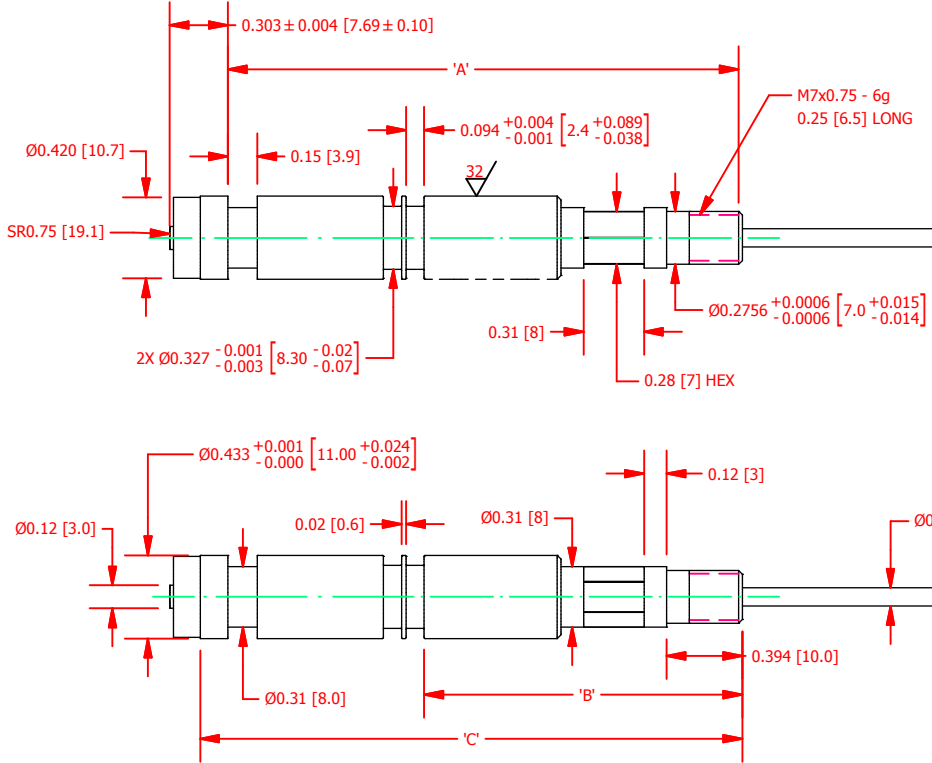
FUTEK MODEL QLA388 SMART COMPRESSION LOAD PROBE CARTRIDGE

71MM & 75MM CABLE EXIT VERSION

ITEM NUMBER: SEE CHART

- Operates Under Pressure Ranges up to 6 Bar
- Supports improvement of Sealed chamber
- Ease of installation and replacement from bottom side

INCH [mm] R.O.= Rated Output			
WIRING CODE			
+ Excitation	- Excitation	+ Signal	- Signal
RED	BLACK	GREEN	WHITE
TEDS DATA	TEDS GND	Shield	
BLUE	YELLOW	FLOATING	



Preliminary Drawing

ITEM #	'A'	'B'	'C'
QSH01816	2.68 [68.1]	1.66 [42.1]	2.82 [71.7]
QSH01817	2.82 [71.7]	1.76 [44.7]	2.97 [75.3]

SPECIFICATIONS:

CAPACITY	100kg
SAFE OVERLOAD	150 % of R.O.
EXCITATION (VDC OR VAC)	7 MAX
OPERATING TEMP	-40 to 185 °F (-40 to 85 °C)
WEIGHT (approx)	0.12 lb [54.4 g]
MATERIAL (sensor body)	17-4 PH S.S.
CABLE: #30 AWG 6 Conductor Braided Shielded Cable, 10 ft [3 m] Long	
CALIBRATION TEST EXCITATION	5 VDC
CALIBRATION	5 pt. COMPRESSION

CUSTOMER APPROVAL- COMPANY:

OUTLINE DRAWING

This drawing is submitted solely for the information and exclusive use of the original addressee. It is not to be divulged in whole or in part, by any firm or individual without written permission from:

FUTEK
 ADVANCED SENSOR TECHNOLOGY, INC.
 10 THOMAS, IRVINE, CA 92618 USA
 Phone: (949) 465-0900
 Fax: (949) 465-0905

CUSTOMER APPROVAL- NAME / DATE:

STANDARD NOTES: (Unless Otherwise Specified)

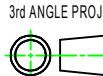
REVISIONS: (Refer to dwg # revision sheet)

ALL DIMENSIONS ARE IN INCHES
 DRAWING INTERPRETATION DIMS. PER ASME-Y14.5M
 REMOVE BURRS AND BREAK SHARP EDGES .005 - .015
 THREADS PER HANDBOOK H-28
 DIMENSIONS ARE SHOWN AFTER PLATING

ANGLE:
± 1/2°

CHAMFER:
± 5°

TOLERANCE:
 .X ± 0.1"
 .XX ± 0.01"
 .XXX ± 0.005"



MODEL: **QLA388** DWG No.: **FO1403**

DRAWN BY: M. Lisiak CREATED DATE: 7/31/2015

APPROVED BY: _____ APPROVED DATE:

CHECKED BY: _____ CAGE: 1X8M6 SHEET: 1 OF 1