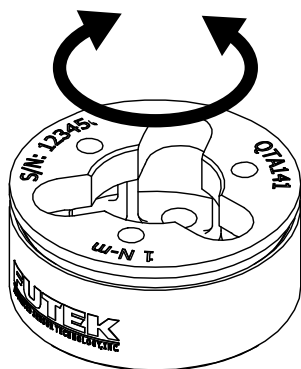




FEATURES

- 5 times smaller than conventional torque sensors
- 10 times more accurate than current loop torque measurement
- Sized to mount to precision servo motors

+ Output (CW) - Output (CCW)



SPECIFICATIONS

PERFORMANCE

Nonlinearity	±0.5% of RO
Nonrepeatability	±0.2% of RO

ELECTRICAL

Rated Output (RO)	1.3 mV/V nom
Excitation (VDC or VAC)	7 max
Bridge Resistance	350 Ohm nom
Connection	#34 AWG, 4 conductor, braided shielded cable 0.5 ft [0.15 m] long
Wiring Code	WC1

MECHANICAL

Capacity	8.9 in-lb [1 Nm]
Weight	0.02 lb [9.1 g]
Safe Overload	150% of RO
Material	Aluminum
IP Rating	IP20

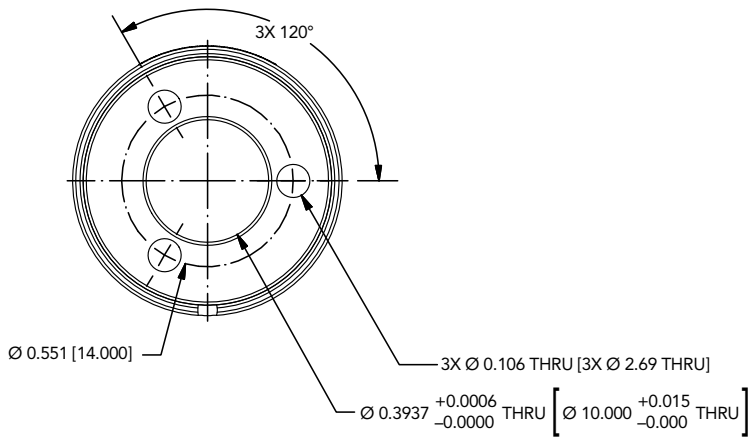
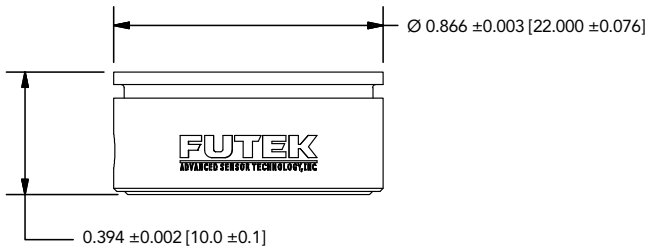
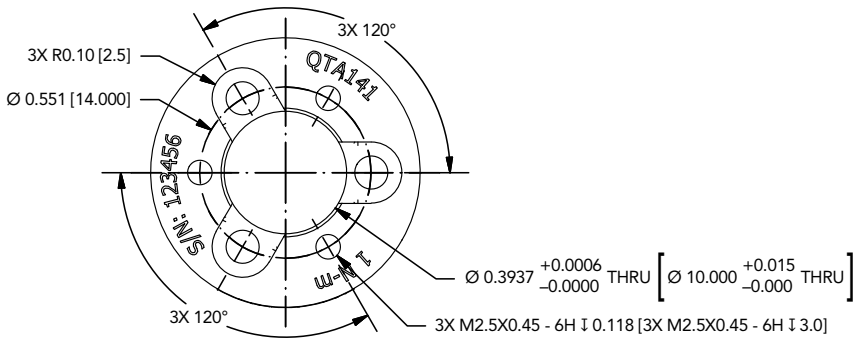
TEMPERATURE

Operating Temperature	-60 to 200°F [-51 to +93°C]
Compensated Temperature	60 to 160°F [16 to 71°C]
Temperature Shift Zero	±0.02% of RO/°F [±0.036% of RO/°C]
Temperature Shift Span	±0.04% of LOAD/°F [±0.072% of LOAD/°C]

CALIBRATION

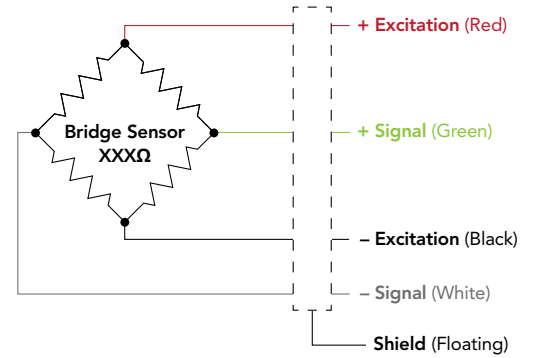
Calibration Test Excitation	5 VDC
Calibration (standard)	Certificate of Conformity
Calibration (available)	5-pt CW & CCW
Shunt Calibration Value	60.4 kOhm

DIMENSIONS inches [mm]



WIRING CODE WC1

RED	+ EXCITATION
BLACK	- EXCITATION
GREEN	+ SIGNAL
WHITE	- SIGNAL
SHIELD	FLOATING



Drawing Number: F11423-A

FUTEK reserves the right to modify its design and specifications without notice. Please visit www.futek.com/salesterms for complete terms and conditions.

10 Thomas, Irvine, CA 92618 USA

Tel: (949) 465-0900

Fax: (949) 465-0905

www.futek.com



U.S. Manufacturer