

FUTEK MODEL LTH500

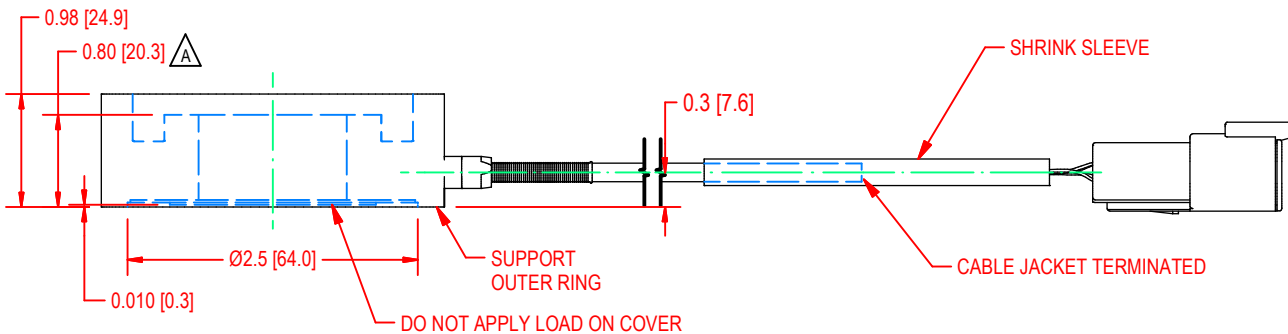
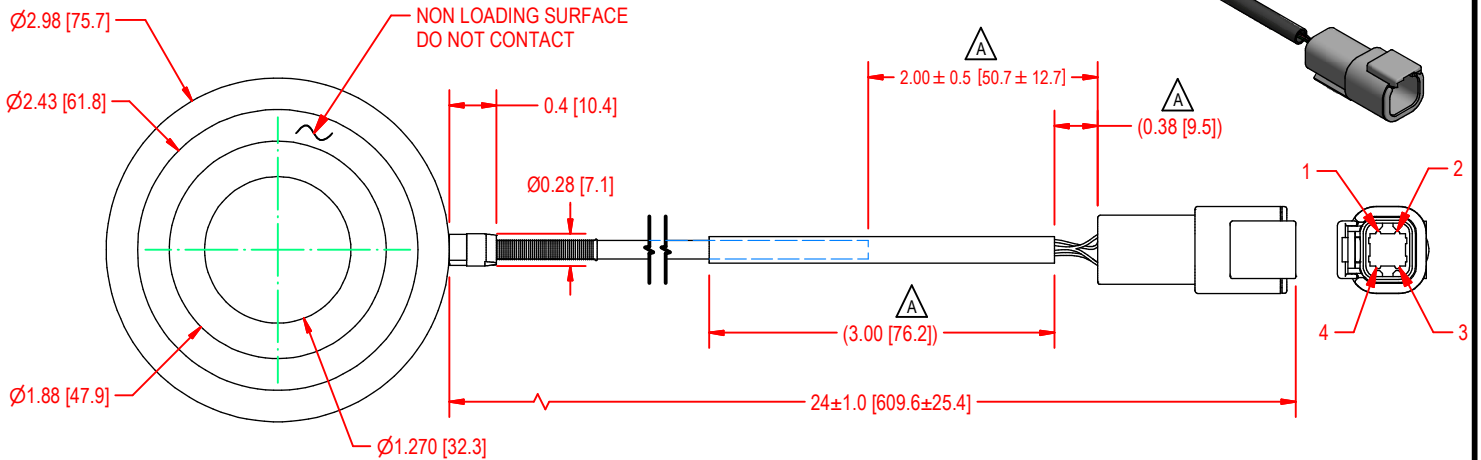
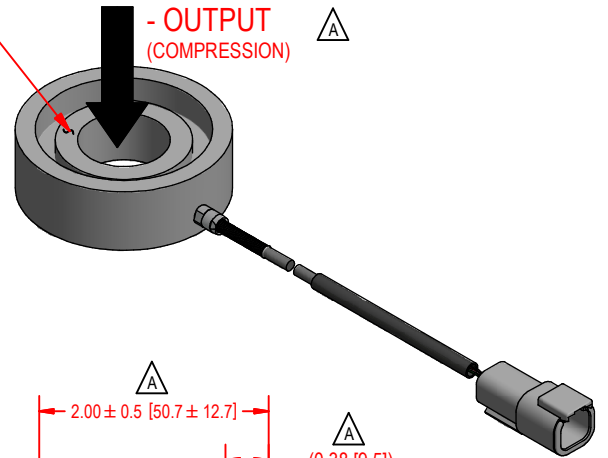
Donut Load Cell with Recessed ID Hub

ITEM NUMBER: QSH01880

LOADING SURFACE - OUTPUT (COMPRESSION)

INCH [mm] | R.O. = Rated Output

CONNECTOR CODE			
+ Excitation PIN 1 (RED)	- Excitation PIN 2 (BLK)	+ Signal PIN 3 (WHT)	- Signal PIN 4 (GRN)



SPECIFICATIONS:

RATED OUTPUT	2 mV/V nom.
CAPACITY	2000 lb. [8880N]
SAFE OVERLOAD	150 % of R.O.
EXCITATION (VDC OR VAC)	18 MAX
BRIDGE RESISTANCE	700 Ω nom.
NONLINEARITY	±0.5% of R.O.
HYSTERESIS	±0.5% of R.O.
NONREPEATABILITY	±0.5% of R.O.
TEMP. SHIFT ZERO	±0.005% of R.O./°F (±0.009 of R.O./°C)
TEMP. SHIFT SPAN	±0.005% of LOAD/°F (±0.009 of LOAD/°C)
COMPENSATED TEMP.	60 to 160 °F (16 to 71 °C)
OPERATING TEMP.	-40 to 200 °F (-40 to 93 °C)
WEIGHT (approx)	1.7 lb [771 g]
MATERIAL	17-4 PH S.S.
CABLE: #24 AWG TEFLON JACKETED CABLE MATED TO DTM04-4P, 4X 0460-202-2031 GOLD OVER NICKEL PINS	

CUSTOMER APPROVAL- COMPANY:

OUTLINE DRAWING

This drawing is submitted solely for the information and exclusive use of the original addressee. It is not to be divulged in whole or in part, by any firm or individual without written permission from:

FUTEK
ADVANCED SENSOR TECHNOLOGY, INC.
10 THOMAS, IRVINE, CA 92618 USA
Phone: (949) 465-0900
Fax: (949) 465-0905

CUSTOMER APPROVAL- NAME / DATE:

STANDARD NOTES: (Unless Otherwise Specified)

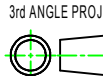
REVISIONS: (Refer to dwg # revision sheet)

ALL DIMENSIONS ARE IN INCHES
DRAWING INTERPRETATION DIMS. PER ASME-Y14.5M
REMOVE BURRS AND BREAK SHARP EDGES .005 - .015
THREADS PER HANDBOOK H-28
DIMENSIONS ARE SHOWN AFTER PLATING

ANGLE:
± 1/2°

CHAMFER:
± 5°

TOLERANCE:
.X ± 0.1"
.XX ± 0.01"
.XXX ± 0.005"



MODEL: LTH500	DWG No.: FO1437-A
DRAWN BY: T. Huynh	CREATED DATE: 12/6/2016
APPROVED BY: R. Walker	APPROVED DATE: 12/13/2016
CHECKED BY:	CAGE: 1X8M6 SHEET: 1 OF 1

A 1/12/17