

## Terms and Conditions of Use

This drawing, including all information depicted herein (collectively, "Drawing"), is FUTEK's property and protected under applicable law, including copyright. FUTEK reserves all rights. The Drawing is provided solely for your information and exclusive use. **Except as expressly approved by FUTEK in writing, you may not reproduce or share this Drawing**, in whole or part, with any other firm or individual, or attempt to reverse engineer the Drawing or data contained therein. Any reproduction of this Drawing in whole or part must include this legend.

By accessing the Drawing, you agree that you have read, understand, and agree to abide by the stated Terms and Conditions of Use.

© 2023 FUTEK Advanced Sensor Technology, Inc.



## FEATURES

- Fast response and low deflection
- Notable Nonlinearity
- Robust cable strain relief
- For use in both tension and compression
- Miniature size

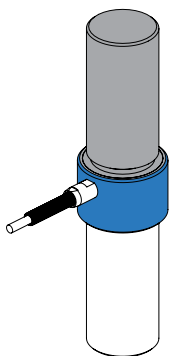
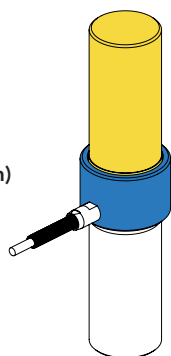
 Non-loading surface, do not contact

 Active End

 Fixed End

+ Output (tension)

- Output (compression)



## SPECIFICATIONS

### PERFORMANCE

Nonlinearity  $\pm 0.2\%$  of RO

Hysteresis  $\pm 0.2\%$  of RO

Nonrepeatability  $\pm 0.1\%$  of RO

### ELECTRICAL

Rated Output (RO) 2 mV/V nom

Excitation (VDC or VAC) 18 max

Bridge Resistance 350 Ohm nom

Insulation Resistance  $\geq 500$  MOhm @ 50 VDC

Connection #28 AWG, 4 conductor, braided shielded PVC cable, 10 ft [3 m] long

Wiring/Connector Code WC1

### MECHANICAL

Weight (approximate) 18 oz [510 g]

Safe Overload 150% of RO

Deflection 0.004 in. [0.102 mm] nom

Material (flexure) 17-4 PH stainless-steel

IP Rating IP64

### TEMPERATURE

Operating Temperature -45 to 200°F (-42 to 93°C)

Compensated Temperature 60 to 160°F (15 to 72°C)

Temperature Shift Zero  $\pm 0.005\%$  of RO/°F (0.01% of RO/°C)

Temperature Shift Span  $\pm 0.005\%$  of Load/°F (0.01% of Load/°C)

### CALIBRATION

Calibration Test Excitation 10 VDC

Calibration (standard) 5-pt Tension

Calibration (available) Compression

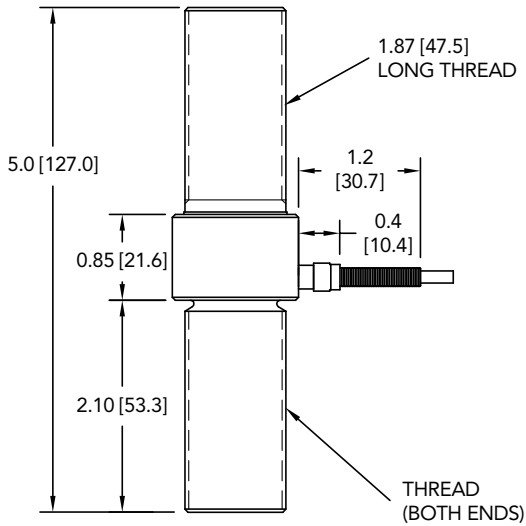
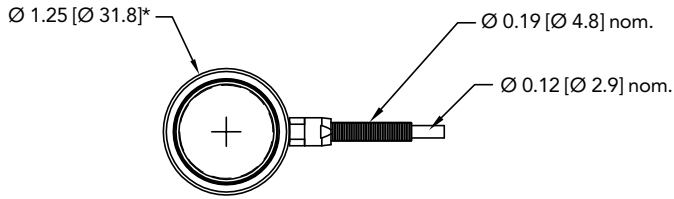
Shunt Calibration Value 60.4 kOhm

### CONFORMITY

RoHS EU 2015/863

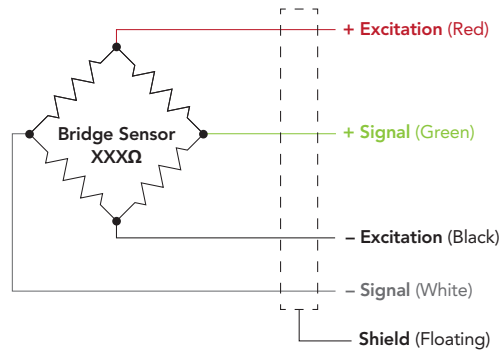
CE EN55011; EN61326-1

**DIMENSIONS** inches [mm]



**WIRING CODE** (WC1 WITH SHIELD)

RED	+ EXCITATION
BLACK	- EXCITATION
GREEN	+ SIGNAL
WHITE	- SIGNAL
SHIELD	FLOATING



**CAPACITIES**

ITEM #	kIb	kN	Thread	Natural Frequency (kHz)
FSH04088	20	88.9	1-14	9.9
FSH04089	20	88.9	M24x3	9.9

Drawing Number: F11438-B

FUTEK reserves the right to modify its design and specifications without notice.  
 Please visit [www.futek.com/salesterms](http://www.futek.com/salesterms) for complete terms and conditions.

10 Thomas, Irvine, CA 92618 USA

Tel: (949) 465-0900  
 Fax: (949) 465-0905

[www.futek.com](http://www.futek.com)



R0HS



U.S. Manufacturer