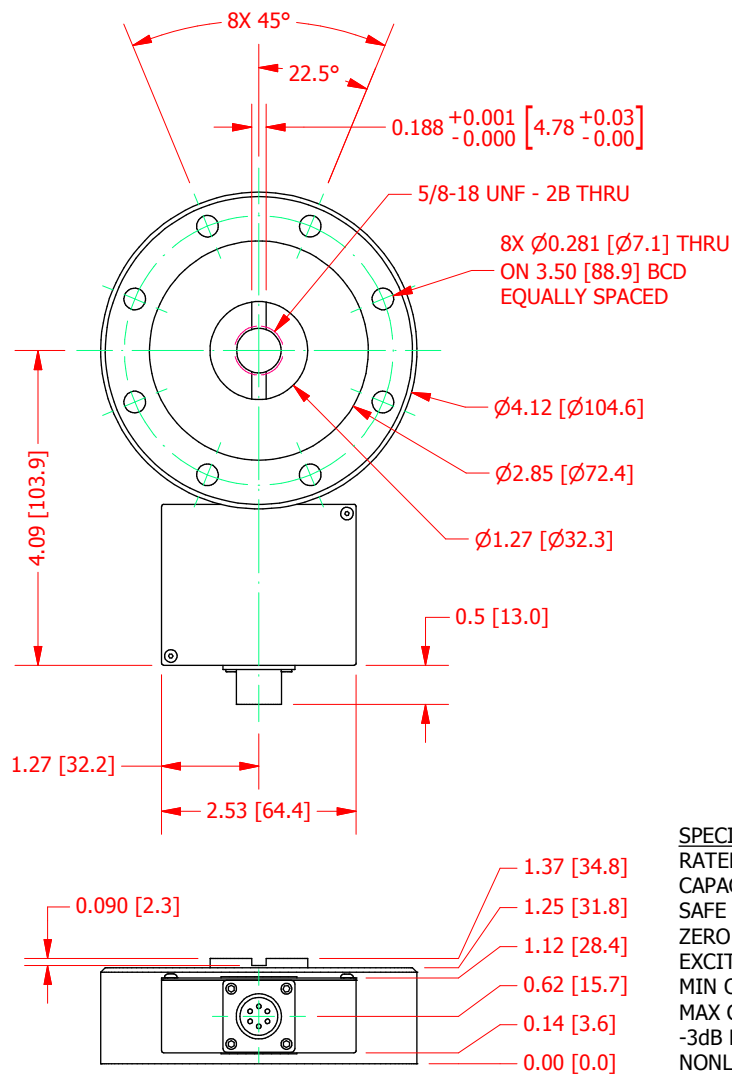
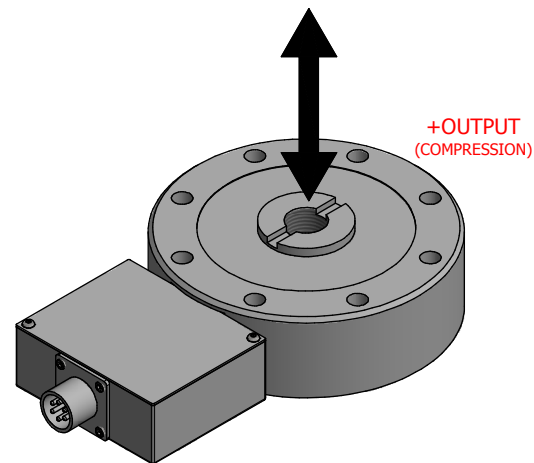


FUTEK MODEL QLA133

ITEM NUMBER: QSH01922

Custom Pancake Load Cell w/ Built in Amplifier (VDC Version)

INCH [mm]		R.O.= Rated Output	
WIRING CODE			
POWER SUPPLY	GROUND	VOLTAGE OUTPUT (+)	VOLTAGE OUTPUT (-)
PIN A	PIN B	PIN C	PIN E



SPECIFICATIONS:

RATED OUTPUT	± 10 VDC NOM.
CAPACITY	150 lb [0.667 kN]
SAFE OVERLOAD	200% of R.O.
ZERO BALANCE	± 1% of R.O.
EXCITATION	14-26 VDC MAX
MIN OUTPUT LOAD IMPEDANCE Δ	660 Ohm
MAX CURRENT	70mA @ FULL LOAD
-3dB BANDWIDTH	1 kHz
NONLINEARITY	± 0.1% of R.O.
HYSTERESIS	± 0.2% of R.O.
NONREPEATABILITY	± 0.02% of R.O.
TEMP. SHIFT ZERO	± 0.001% of R.O./°F (± 0.002 of R.O./°C)
TEMP. SHIFT SPAN	± 0.002% of LOAD/°F (± 0.004 of LOAD/°C)
COMPENSATED TEMP.	60 to 160°F (16 to 71°C)
OPERATING TEMP.	32 to 158°F (0 to 70°C)
MATERIAL	17-4 PH STAINLESS STEEL (FLEXURE)
CONNECTOR: 6 Pin BENDIX Receptacle	(PT02E-10-6P)
RoHS	2011/65/EU

CUSTOMER APPROVAL- COMPANY:

CUSTOMER APPROVAL- NAME / DATE:

REVISIONS: (Refer to dwg # revision sheet)

A	01/05/2018
---	------------

OUTLINE DRAWING

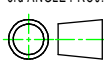
STANDARD NOTES: (Unless Otherwise Specified)

ALL DIMENSIONS ARE IN INCHES
DRAWING INTERPRETATION DIMS. PER ASME-Y14.5M
REMOVE BURRS AND BREAK SHARP EDGES .005 - .015
THREADS PER HANDBOOK H-28
DIMENSIONS ARE SHOWN AFTER PLATING

ANGLE:
± 1/2°

CHAMFER:
± 5°

TOLERANCE:
.X ± 0.1"
.XX ± 0.01"
.XXX ± 0.005"



This drawing is submitted solely for the information and exclusive use of the original addressee. It is not to be divulged in whole or in part, by any firm or individual without written permission from:

FUTEK
ADVANCED SENSOR TECHNOLOGY, INC.
10 THOMAS, IRVINE, CA 92618 USA
Phone: (949) 465-0900
Fax: (949) 465-0905

MODEL: **QLA133** DWG No.: **FO1452-A**

DRAWN BY: S. MICHEL CREATED DATE: 11/14/2017

APPROVED BY: R. WALKER APPROVED DATE:

CHECKED BY: CAGE: 1X8M6 SHEET: 1 OF 1