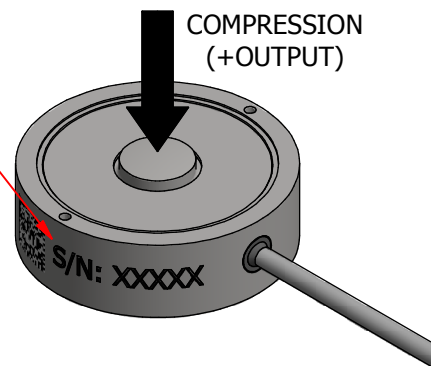


FUTEK MODEL LLB300

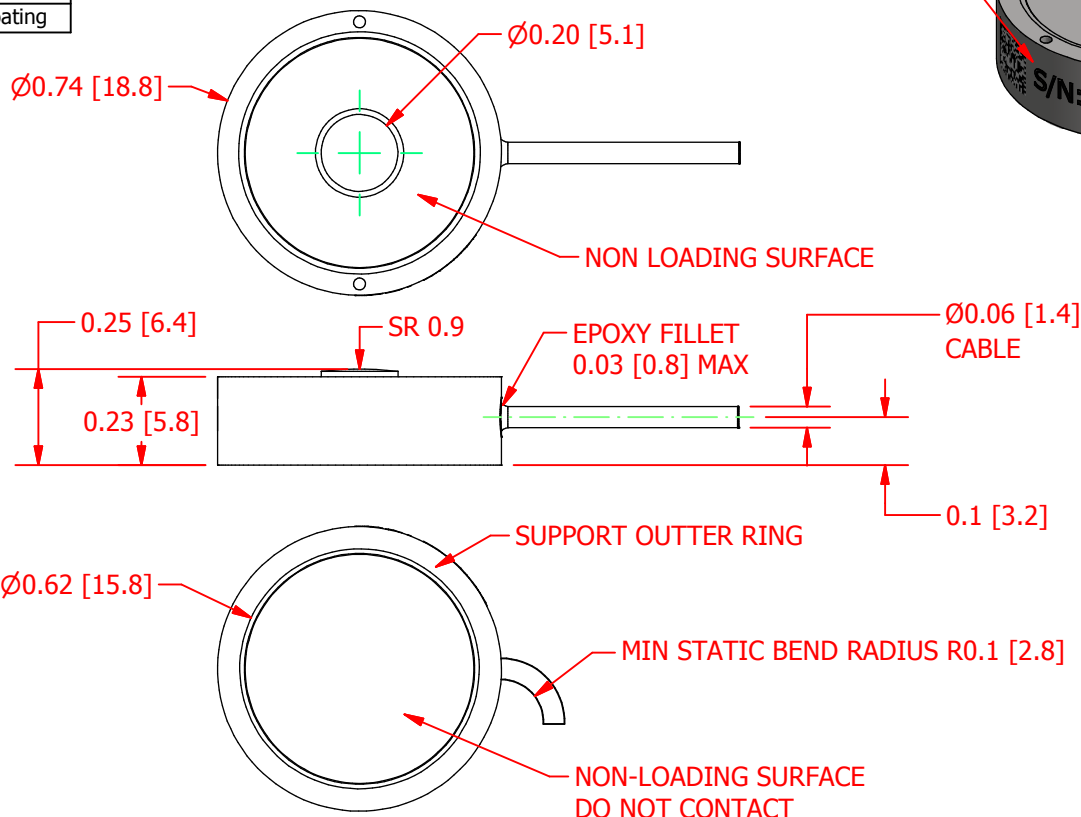
CUSTOM VACUUM RATED LOAD BUTTON

ITEM NUMBER: QSH01938

INCH [mm]		R.O.= Rated Output	
WIRING CODE			
+ Excitation	- Excitation	+ Signal	- Signal
RED	BLACK	GREEN	WHITE
Shield			
Floating			



ENGRAVED ITEM #, CAPACITY, S/N, DATA MATRIX



SPECIFICATIONS:

RATED OUTPUT	1 mV/V nom.
CAPACITY	250 lb. [1110N]
SAFE OVERLOAD	150 % of R.O.
ZERO BALANCE	±3% of R.O.
EXCITATION (VDC OR VAC)	18 MAX
BRIDGE RESISTANCE	700 Ω nom.
NONLINEARITY	±0.2% of R.O.
HYSTERESIS	±0.2% of R.O.
NONREPEATABILITY	±0.1% of R.O.
TEMP. SHIFT ZERO	±0.01% of R.O./°F (±0.018 of R.O./°C)
TEMP. SHIFT SPAN	±0.02% of LOAD/°F (±0.036 of LOAD/°C)
COMPENSATED TEMP.	60 to 250 °F (16 to 121 °C)
OPERATING TEMP	-60 to 250 °F (-51 to 121 °C)
WEIGHT (approx)	1.2 oz [34g]
MATERIAL	17-4 PH S.S.
DEFLECTION	0.0004 [0.013] nom.
CABLE: #34 Awg 4 Conductor Braided Shielded, Red Polyester Cable, 1 ft [0.3 m] Long	
VACUUM RATED	40 TORR ARGON ENVIRONMENT
RoHS	2011/65/EU

OUTLINE DRAWING

This drawing is submitted solely for the information and exclusive use of the original addressee. It is not to be divulged in whole or in part, by any firm or individual without written permission from:

FUTEK
ADVANCED SENSOR TECHNOLOGY, INC.
10 THOMAS, IRVINE, CA 92618 USA
Phone: (949) 465-0900
Fax: (949) 465-0905

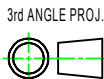
MODEL: LLB300	DWG No.: FO1447
DRAWN BY: M. Lisiak	CREATED DATE: 9/22/2017
APPROVED BY: R. Walker	APPROVED DATE: 9/22/2017
CHECKED BY:	CAGE: 1X8M6 SHEET: 1 OF 1

STANDARD NOTES: (Unless Otherwise Specified)
ALL DIMENSIONS ARE IN INCHES
DRAWING INTERPRETATION DIMS. PER ASME-Y14.5M
REMOVE BURRS AND BREAK SHARP EDGES .005 - .015
THREADS PER HANDBOOK H-28
DIMENSIONS ARE SHOWN AFTER PLATING

ANGLE:
± 1/2°

CHAMFER:
± 5°

TOLERANCE:
.X ± 0.1"
.XX ± 0.01"
.XXX ± 0.005"



3rd ANGLE PROJ.

REVISIONS: (Refer to dwg # revision sheet)

CUSTOMER APPROVAL- COMPANY:

CUSTOMER APPROVAL- NAME / DATE: