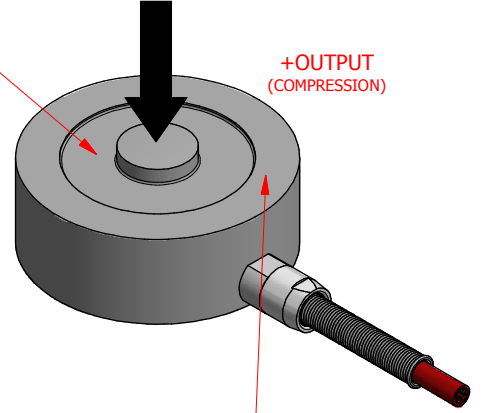
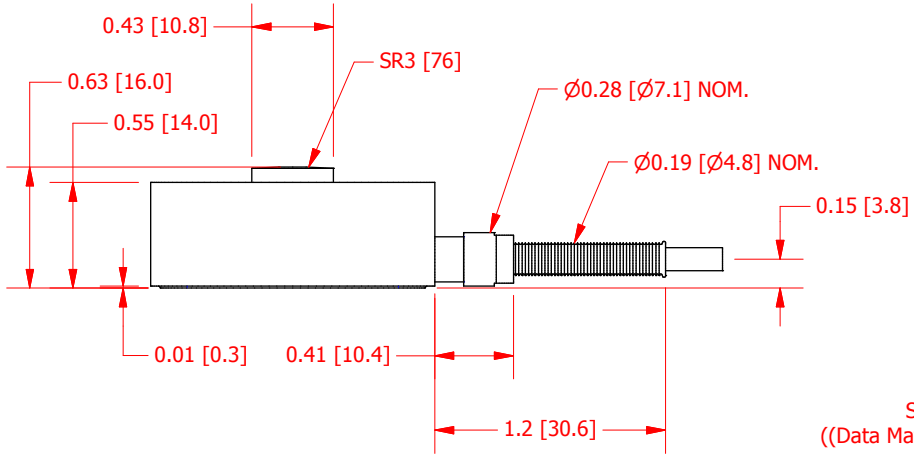


FUTEK MODEL QLA129

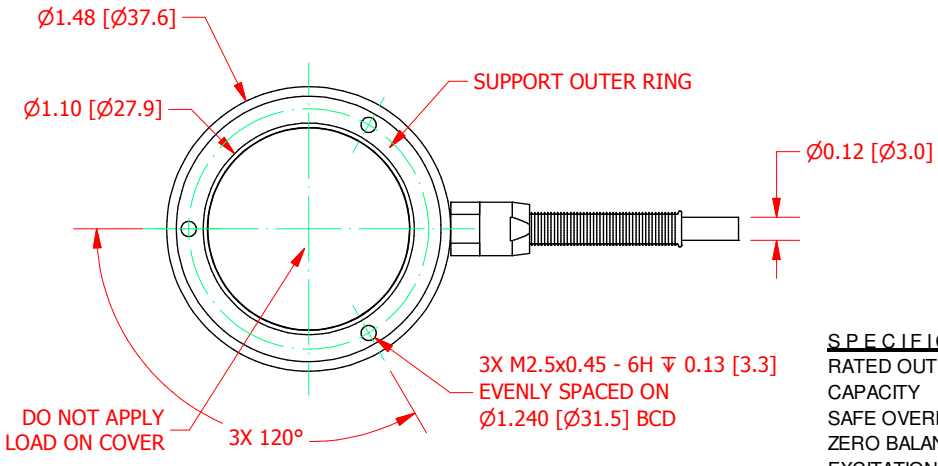
ITEM NUMBER: QSH01942

Custom Load Button w/ Threaded Mounting Holes For Special Operating Range, RoHS Compliant

INCH [mm]		R.O.= Rated Output	
WIRING CODE			
+ Excitation	- Excitation	+Signal	-Signal
RED	BLACK	GREEN	WHITE
Shield			
FLOATING			



S/N, CAPACITY & ITEM NUMBER
((Data Matrix) 123456 -50K N QSH01942)



SPECIFICATIONS:

RATED OUTPUT	1 mV/V ± 2%
CAPACITY	11261 lb. [50000 N]
SAFE OVERLOAD	150 % of R.O.
ZERO BALANCE	±3% of R.O.
EXCITATION (VDC OR VAC)	18 MAX
BRIDGE RESISTANCE	700 Ω nom.
NONLINEARITY	±0.5% of R.O.
HYSTERESIS	±0.5% of R.O.
NONREPEATABILITY	±0.1% of R.O.
TEMP. SHIFT ZERO	±0.01% of R.O./°F (±0.018 of R.O./°C)
TEMP. SHIFT SPAN	±0.02% of LOAD/°F (±0.036 of LOAD/°C)
COMPENSATED TEMP.	-60 to 250 °F (-51 to 121 °C)
OPERATING TEMP	-60 to 250 °F (-51 to 121 °C)
MATERIAL	17-4 PH S.S.
CABLE: 26 AWG. 4 Conductor Braided Shielded Teflon Cable, 7ft [2.1m] Long	
RoHS	2011/65/EU

CUSTOMER APPROVAL- COMPANY:
CUSTOMER APPROVAL- NAME / DATE:
REVISIONS: (Refer to dwg # revision sheet)

OUTLINE DRAWING

STANDARD NOTES: (Unless Otherwise Specified)
 ALL DIMENSIONS ARE IN INCHES
 DRAWING INTERPRETATION DIMS. PER ASME-Y14.5M
 REMOVE BURRS AND BREAK SHARP EDGES .005 - .015
 THREADS PER HANDBOOK H-28
 DIMENSIONS ARE SHOWN AFTER PLATING

ANGLE: ± 1/2°
 CHAMFER: ± 5°
 TOLERANCE:
 .X ± 0.1"
 .XX ± 0.01"
 .XXX ± 0.005"

3rd ANGLE PROJ.

This drawing is submitted solely for the information and exclusive use of the original addressee. It is not to be divulged in whole or in part, by any firm or individual without written permission from:

FUTEK
 ADVANCED SENSOR TECHNOLOGY, INC.
 10 THOMAS, IRVINE, CA 92618 USA
 Phone: (949) 465-0900
 Fax: (949) 465-0905

MODEL: QLA129	DWG No.: FO1453
DRAWN BY: S. MICHEL	CREATED DATE: 11/14/2017
APPROVED BY: R. WALKER	APPROVED DATE:
CHECKED BY:	CAGE: 1X8M6 SHEET: 1 OF 1