

Terms and Conditions of Use

This drawing, including all information depicted herein (collectively, "Drawing"), is FUTEK's property and protected under applicable law, including copyright. FUTEK reserves all rights. The Drawing is provided solely for your information and exclusive use. **Except as expressly approved by FUTEK in writing, you may not reproduce or share this Drawing**, in whole or part, with any other firm or individual, or attempt to reverse engineer the Drawing or data contained therein. Any reproduction of this Drawing in whole or part must include this legend.

By accessing the Drawing, you agree that you have read, understand, and agree to abide by the stated Terms and Conditions of Use.

© 2023 FUTEK Advanced Sensor Technology, Inc.

FUTEK MODEL QTA143

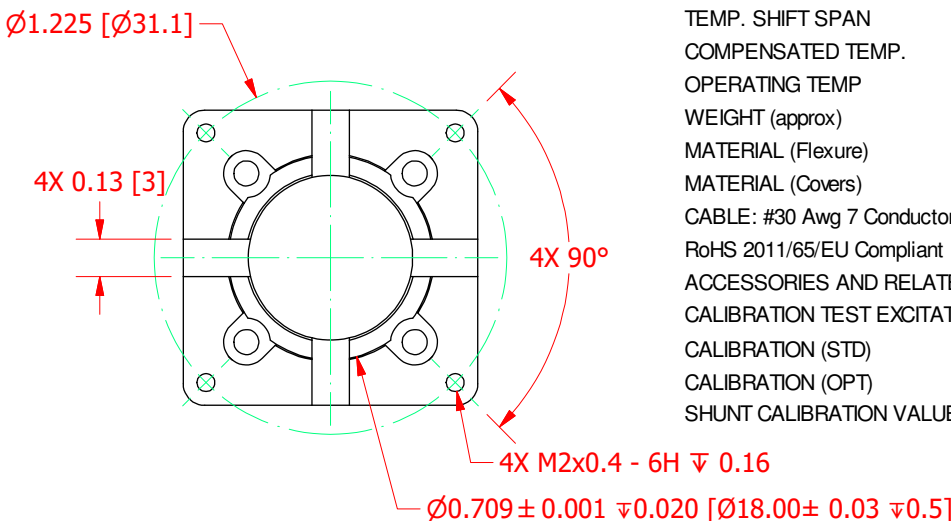
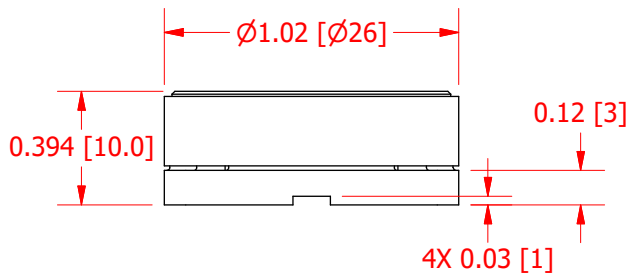
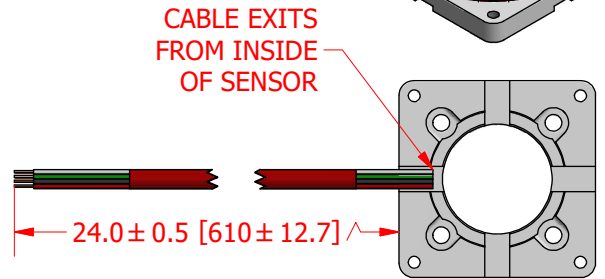
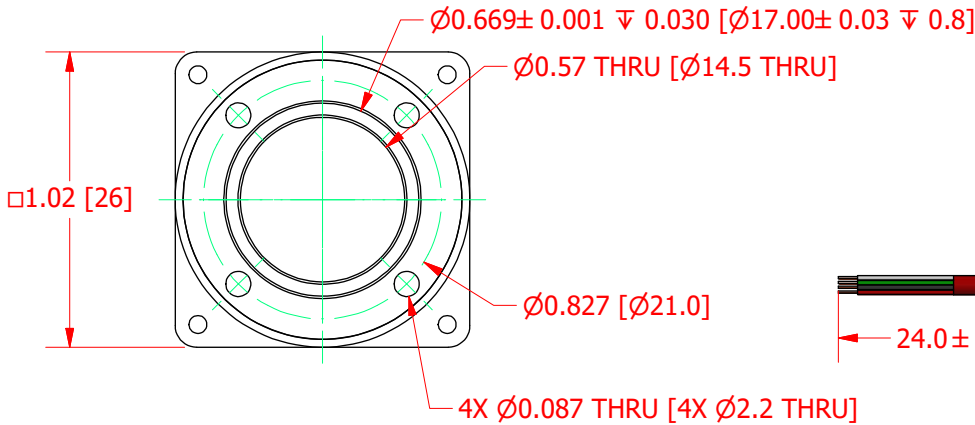
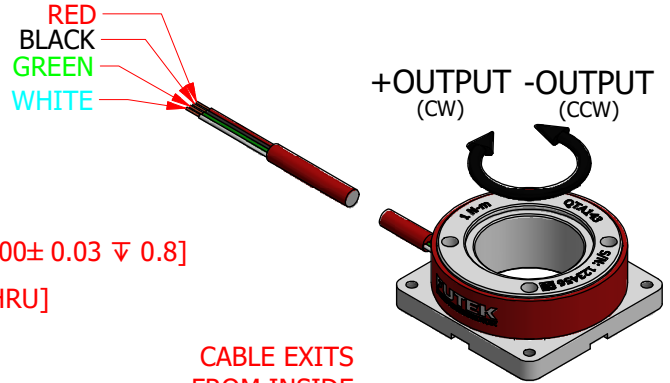
CUSTOM MICRO REACTION TORQUE SENSOR

ITEM NUMBER: QSH01946



INCH [mm]		R.O. = Rated Output	
WIRING CODE (WC1)			
+ EXCITATION	- EXCITATION	+ SIGNAL	- SIGNAL
RED	BLACK	GREEN	WHITE
SHIELDED	N/C	N/C	N/C
FLOATING	BLUE*	ORANGE*	BROWN*

* UNUSED CONDUCTORS TRIMMED AT PIGTAIL END



SPECIFICATIONS:

RATED OUTPUT	1.13 mV/V nom.
CAPACITY	0.75 N-m
SAFE OVERLOAD	200% of R.O.
ZERO BALANCE	±3% of R.O.
EXCITATION (VDC OR VAC)	10 max
BRIDGE RESISTANCE	2000 Ω nom.
NONLINEARITY	±0.5% of R.O.
HYSTERESIS	±0.5% of R.O.
NONREPEATABILITY	±0.2% of R.O.
TEMP. SHIFT ZERO	±0.002% of R.O./°F (0.004% of R.O./°C)
TEMP. SHIFT SPAN	±0.04% of Load/°F (0.072% of Load/°C)
COMPENSATED TEMP.	60 to 160°F (16 to 71 °C)
OPERATING TEMP	-60 to 200°F (-51 to 93°C)
WEIGHT (approx)	0.02 lb [9.1 g]
MATERIAL (Flexure)	ALUMINUM
MATERIAL (Covers)	ALUMINUM
CABLE: #30 Awg 7 Conductor Braided Shielded Red Polyester Cable, 24 in [610 mm] Long	
RoHS 2011/65/EU Compliant	
ACCESSORIES AND RELATED INSTRUMENTS AVAILABLE	
CALIBRATION TEST EXCITATION	5 VDC
CALIBRATION (STD)	Certificate of Conformance
CALIBRATION (OPT)	5 pt. CW & CCW
SHUNT CALIBRATION VALUE	432 kΩ

CUSTOMER APPROVAL- COMPANY:

CUSTOMER APPROVAL- NAME / DATE:

REVISIONS: (Refer to dwg # revision sheet)

OUTLINE DRAWING

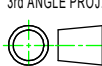
STANDARD NOTES: (Unless Otherwise Specified)

ALL DIMENSIONS ARE IN INCHES
DRAWING INTERPRETATION DIMS. PER ASME-Y14.5
REMOVE BURRS AND BREAK SHARP EDGES .005 - .015
THREADS PER HANDBOOK H-28
DIMENSIONS ARE SHOWN AFTER PLATING

ANGLE:
± 1/2°

CHAMFER:
± 5°

TOLERANCE:
.X ± 0.1"
.XX ± 0.01"
.XXX ± 0.005"



FUTEK

This drawing, including all information depicted herein (collectively, "Drawing"), is FUTEK's property and protected under applicable law, including copyright. FUTEK reserves all rights. The Drawing is provided solely for your information and exclusive use. **Except as expressly approved by FUTEK in writing, you may not reproduce or share this Drawing** in whole or part, with any other firm or individual, or attempt to reverse engineer the Drawing or data contained therein. Any reproduction of this Drawing in whole or part must include this legend.

MODEL: QTA143	DWG No.: FO1500
DRAWN BY: J. RUIZ	CREATED DATE: 6/4/2019
APPROVED BY: J. PARK	APPROVED DATE: 6/25/2019
CHECKED BY:	CAGE: 1X8M6 SHEET: 1 OF 1