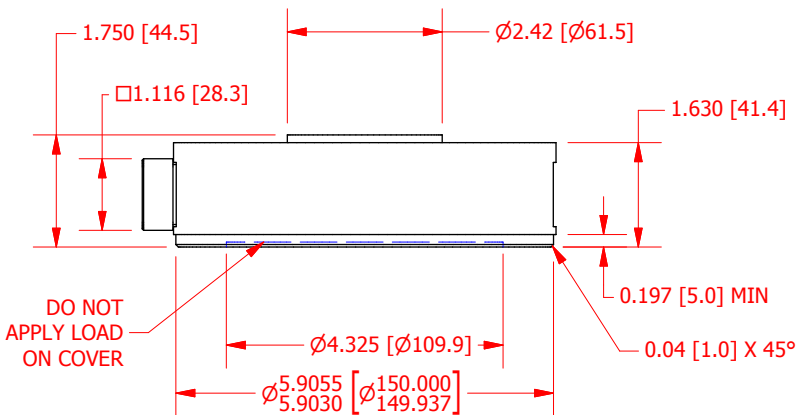
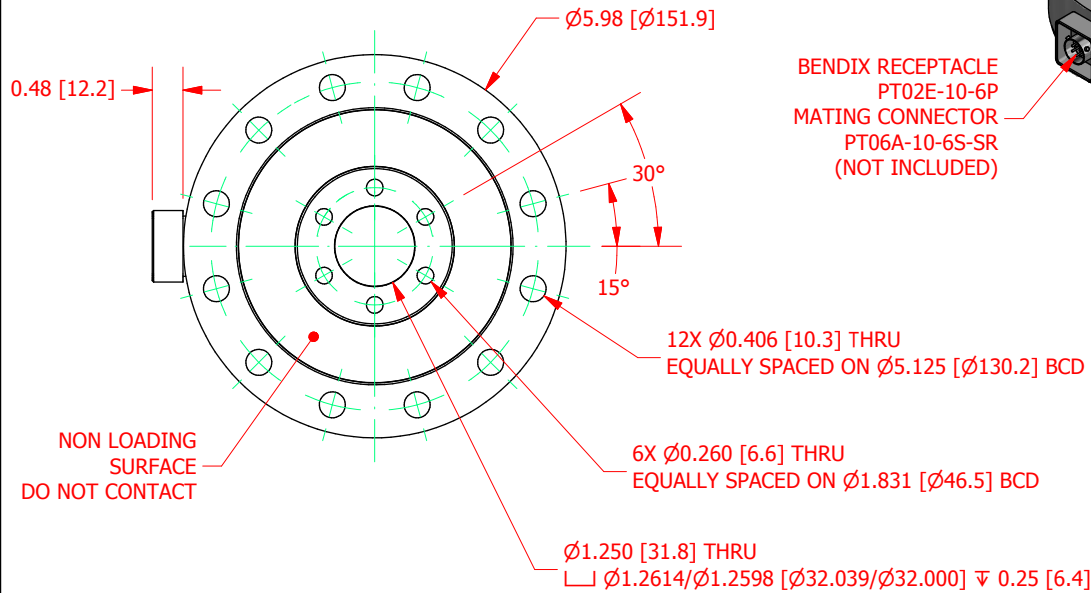
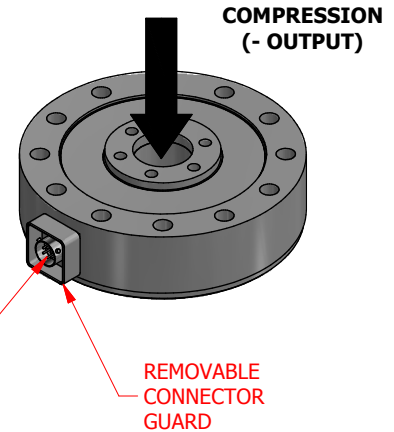


# FUTEK MODEL LCF500

ITEM NUMBER: QSH01956

Custom Low Profile Compression  
Pancake Load Cell, 32 mm ID w/ 6x  
6 mm Loading Flange Bolt Pattern

INCH [mm]		R.O.= Rated Output	
WIRING CODE CC1			
+ Excitation	- Excitation	+Signal	-Signal
RED PIN A	BLACK PIN B	GREEN PIN C	WHITE PIN D
+Sense	-Sense		
ORANGE PIN E	BLUE PIN F		



### SPECIFICATIONS:

RATED OUTPUT	2 mV/V nom.
CAPACITY	20000 lb. [88800N]
SAFE OVERLOAD	150 % of R.O.
EXCITATION (VDC OR VAC)	20 MAX
BRIDGE RESISTANCE	350 Ω nom.
NONLINEARITY	±0.1% of R.O.
HYSTERESIS	±0.2% of R.O.
NONREPEATABILITY	±0.02% of R.O.
TEMP. SHIFT ZERO	±0.001% of R.O./°F (±0.002 of R.O./°C)
TEMP. SHIFT SPAN	±0.002% of LOAD/°F (±0.004 of LOAD/°C)
COMPENSATED TEMP.	60 to 160 °F (16 to 71 °C)
OPERATING TEMP	-60 to 200 °F (-51 to 93 °C)
WEIGHT (approx)	9 lb [4.1 kg]
MATERIAL	17-4 PH S.S.
DEFLECTION	0.002 [0.05] nom.
CONNECTOR	6 Pin BENDIX Receptacle (PT02E-10-6P)
ACCESSORIES AND RELATED INSTRUMENTS AVAILABLE	5-pt COMPRESSION
CALIBRATION (STD)	5-pt COMPRESSION
SHUNT CALIBRATION VALUE	60.4 kΩhm
IP RATING	IP 65

CUSTOMER APPROVAL- COMPANY:

## OUTLINE DRAWING

This drawing is submitted solely for the information and exclusive use of the original addressee. It is not to be divulged in whole or in part, by any firm or individual without written permission from:

**FUTEK**  
ADVANCED SENSOR TECHNOLOGY, INC.  
10 THOMAS, IRVINE, CA 92618 USA  
Phone: (949) 465-0900  
Fax: (949) 465-0905

CUSTOMER APPROVAL- NAME / DATE:

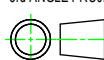
STANDARD NOTES: (Unless Otherwise Specified)

ALL DIMENSIONS ARE IN INCHES  
DRAWING INTERPRETATION DIMS. PER ASME-Y14.5M  
REMOVE BURRS AND BREAK SHARP EDGES .005 - .015  
THREADS PER HANDBOOK H-28  
DIMENSIONS ARE SHOWN AFTER PLATING

ANGLE:  
± 1/2°

CHAMFER:  
± 5°

TOLERANCE:  
.X ± 0.1"  
.XX ± 0.01"  
.XXX ± 0.005"



3rd ANGLE PROJ.

MODEL: **LCF500**

DWG No.: **FO1454**

DRAWN BY: S. MICHEL

CREATED DATE: 11/27/2017

APPROVED BY: R. WALKER

APPROVED DATE: 11/28/2017

CHECKED BY:

CAGE: 1X8M6 SHEET: 1 OF 1

REVISIONS: (Refer to dwg # revision sheet)

--	--