

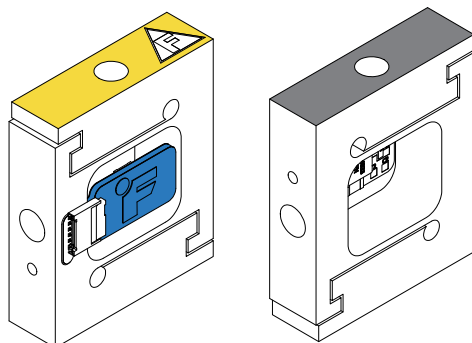
**FEATURES**

- OEM version, Integrated FPC style connector
- Heat treated stainless-steel flexure design for optimal fatigue life and off center loading capabilities
- High performance tension and compression load cell
- Light weight, miniature size
- Integrated overload protection
- Notable nonrepeatability

 **Non-loading surface, do not contact**

 **Active End**

 **Fixed End**



**SPECIFICATIONS**

**PERFORMANCE**

Nonlinearity	±0.1% of RO
Hysteresis	±0.1% of RO
Nonrepeatability	±0.05% of RO

**ELECTRICAL**

Rated Output (RO)	1 mV/V nom (250 g) 2 mV/V nom (1 - 100 lb)
Excitation (VDC or VAC)	10 max
Bridge Resistance	350 Ohm nom
Insulation Resistance	≥500 MOhm @ 50 VDC

Connection	7 Pin FPC Connector HIROSE FH53M-7S-0.25SHW(99)
------------	---

**MECHANICAL**

Weight (approximate)	0.3 oz [9 g]
Safe Overload	1000% of RO (1-25 lb) 200% tension only (50-100 lb)
Material	17-4 PH stainless-steel body

**TEMPERATURE**

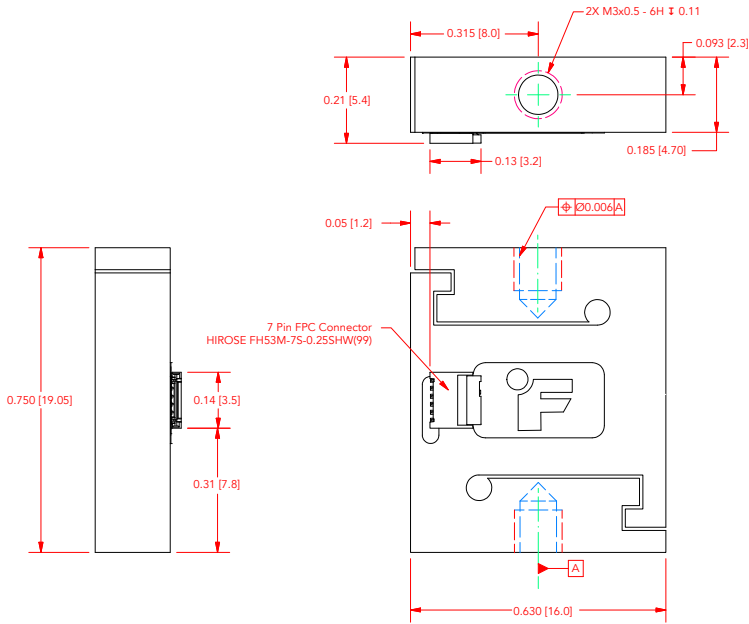
Operating Temperature	-60 to 200°F [-50 to 93°C]
Compensated Temperature	60 to 160°F [15 to 72°C]
Temperature Shift Zero	±0.005% of RO/°F [0.009% of RO/°C]
Temperature Shift Span	±0.005% of Load/°F [0.009% of Load/°C]

**CALIBRATION**

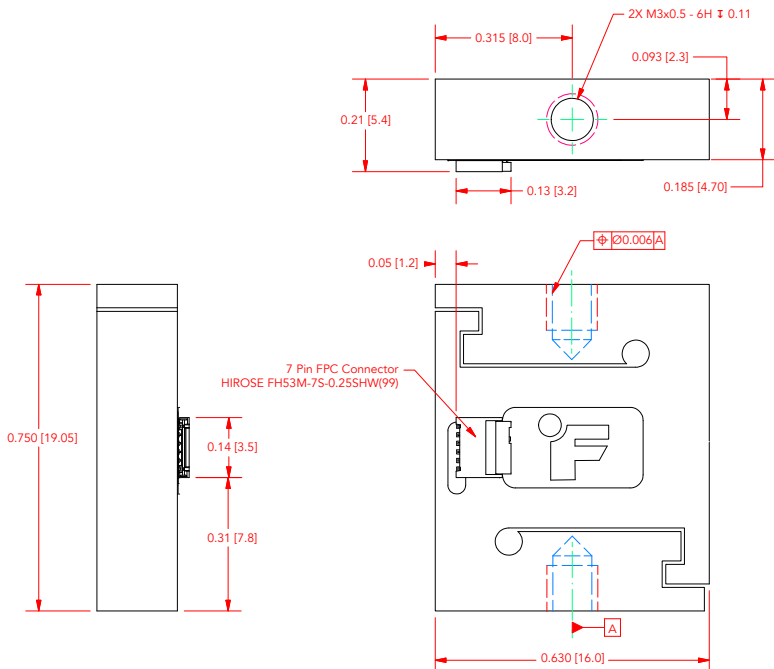
Calibration Test Excitation	5 VDC
Calibration (standard)	Certificate of Conformance
Calibration (available)	5-pt Tension and Compression
Shunt Calibration Value	100 kOhm (250 g) 60.4 kOhm (1-100 lb)

**DIMENSIONS** inches [mm]

**LOWER CAPACITIES (250 g – 25 lb)**



**HIGHER CAPACITIES (50 lb, 100 lb)**

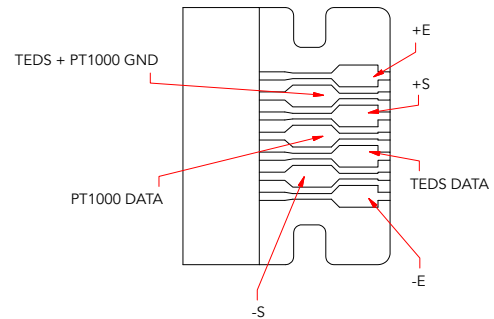


**CAPACITIES**

ITEM #	lb	N	Deflection (in)	Natural Frequency (Hz)
QSH01998	250 g	2.5	0.003	690
QSH01999	1	4.5	0.005	690
QSH02000	2	8.9	0.004	1180
QSH02001	5	22.2	0.003	2180
QSH02002	10	44.5	0.003	3010
QSH02003	25	111	0.003	5380
QSH02004	50	222	0.003	6620
QSH02005	100	445	0.004	8250

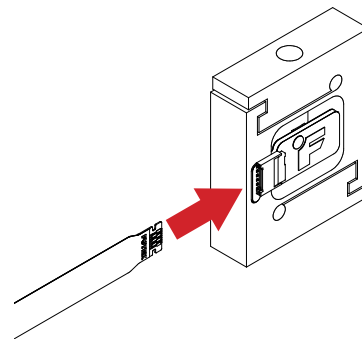
**CONNECTION**

**Mating Flex Circuit Connections**



Refer to HRS  
FH53M-7S-0.25SHW(99) Document  
EDC-364112-99-00 for full dimensional details

**Mating Load Cell Flex Circuit (Not Included)**



Drawing Number: FI1508

FUTEK reserves the right to modify its design and specifications without notice. Please visit [www.futek.com/salesterms](http://www.futek.com/salesterms) for complete terms and conditions.

10 Thomas, Irvine, CA 92618 USA

Tel: (949) 465-0900

Fax: (949) 465-0905

[www.futek.com](http://www.futek.com)



U.S. Manufacturer