

Terms and Conditions of Use

This drawing, including all information depicted herein (collectively, "Drawing"), is FUTEK's property and protected under applicable law, including copyright. FUTEK reserves all rights. The Drawing is provided solely for your information and exclusive use. **Except as expressly approved by FUTEK in writing, you may not reproduce or share this Drawing**, in whole or part, with any other firm or individual, or attempt to reverse engineer the Drawing or data contained therein. Any reproduction of this Drawing in whole or part must include this legend.

By accessing the Drawing, you agree that you have read, understand, and agree to abide by the stated Terms and Conditions of Use.

© 2023 FUTEK Advanced Sensor Technology, Inc.

FUTEK MODEL LSM300

SPECIAL PARALLELOGRAM LOAD CELL W/OVERLOAD PROTECTION AND PRECISION ALIGNMENT FEATURE

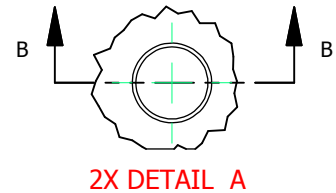
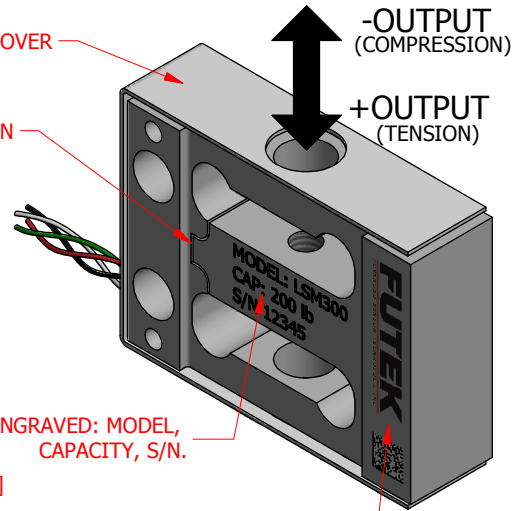
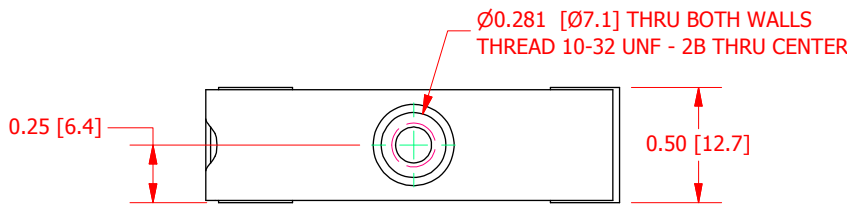
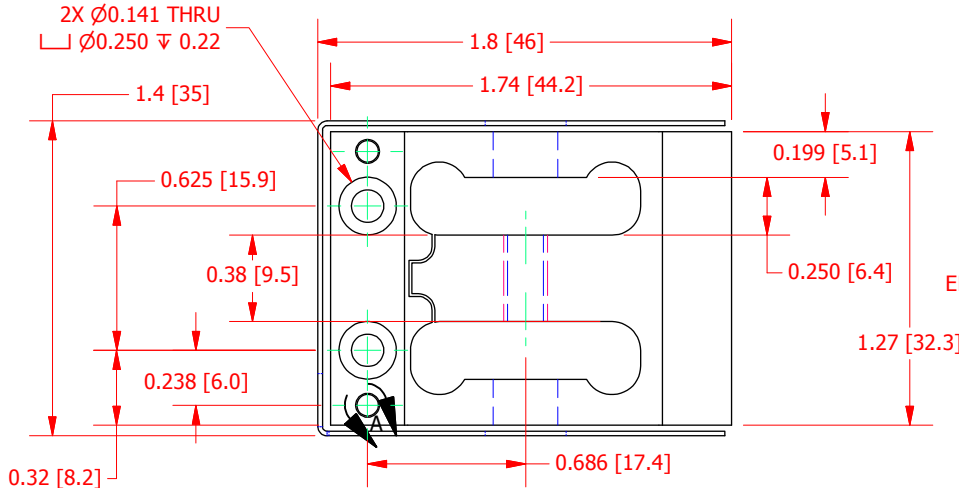
ITEM NUMBER: QSH02044

INCH [mm] | R.O.= Rated Output

WIRING CODE*

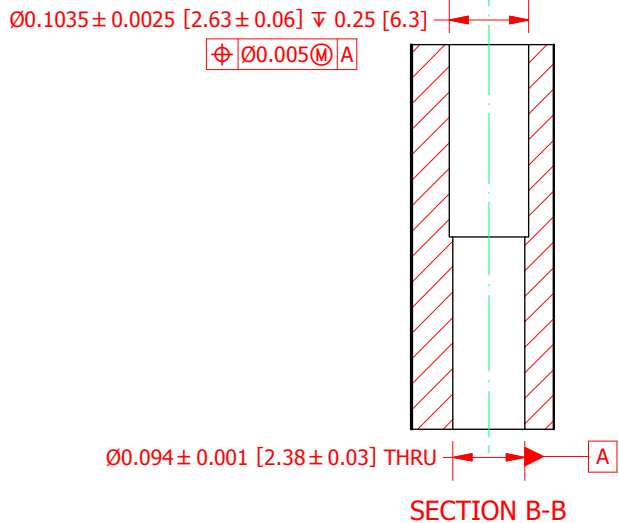
+ Excitation	- Excitation	+Signal	-Signal
GREEN	BLACK	WHITE	RED

*COLOR CODE FOR THIS SENSOR IS NOT FUTEK STANDARD



SPECIFICATIONS:

RATED OUTPUT	2 mV/V nom.
CAPACITY	200 lb. [888N]
SAFE OVERLOAD	200 % of R.O.
ZERO BALANCE	±3% of R.O.
EXCITATION (VDC OR VAC)	18 MAX
BRIDGE RESISTANCE	1000 Ω nom.
NONLINEARITY	±0.06% of R.O.
HYSTERESIS	±0.06% of R.O.
NONREPEATABILITY	±0.02% of R.O.
CREEP	±0.025% of R.O.
TEMP. SHIFT ZERO	±0.005% of R.O./°F (±0.009 of R.O./°C)
TEMP. SHIFT SPAN	±0.005% of LOAD/°F (±0.009 of LOAD/°C)
COMPENSATED TEMP.	60 to 160 °F (16 to 71 °C)
OPERATING TEMP	-60 to 200 °F (-51 to 93 °C)
WEIGHT (approx)	0.2 lb [90.7 g]
MATERIAL	17-4 PH S.S.
CABLE: #29 Awg 4 Conductor, Spiral Teflon Cable, 6in [152mm] Long	
CALIBRATION TEST EXCITATION	10 VDC
CALIBRATION (STD)	2 pt. TENSION, 150 kOhm SHUNT CAL. VALUE



CUSTOMER APPROVAL- COMPANY:

OUTLINE DRAWING

This drawing, including all information depicted herein (collectively, "Drawing"), is FUTEK's property and protected under applicable law, including copyright. FUTEK reserves all rights. The Drawing is provided solely for your information and exclusive use. Except as expressly approved by FUTEK in writing, you may not reproduce or share this Drawing, in whole or part, with any other firm or individual, or attempt to reverse engineer the Drawing or data contained therein. Any reproduction of this Drawing in whole or part must include this legend.

FUTEK

MODEL: LSM300	DWG No.: FO1487
DRAWN BY: M. Lisiak	CREATED DATE: 10/11/2018
APPROVED BY: R. Walker	APPROVED DATE: 10/12/2018
CHECKED BY:	CAGE: 1X8M6 SHEET: 1 OF 1

CUSTOMER APPROVAL- NAME / DATE:

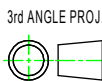
STANDARD NOTES: (Unless Otherwise Specified)

ALL DIMENSIONS ARE IN INCHES
DRAWING INTERPRETATION DIMS. PER ASME-Y14.5
REMOVE BURRS AND BREAK SHARP EDGES .005 - .015
THREADS PER HANDBOOK H-28
DIMENSIONS ARE SHOWN AFTER PLATING

ANGLE:
± 1/2°

CHAMFER:
± 5°

TOLERANCE:
.X ± 0.1"
.XX ± 0.01"
.XXX ± 0.005"



REVISIONS: (Refer to dwg # revision sheet)