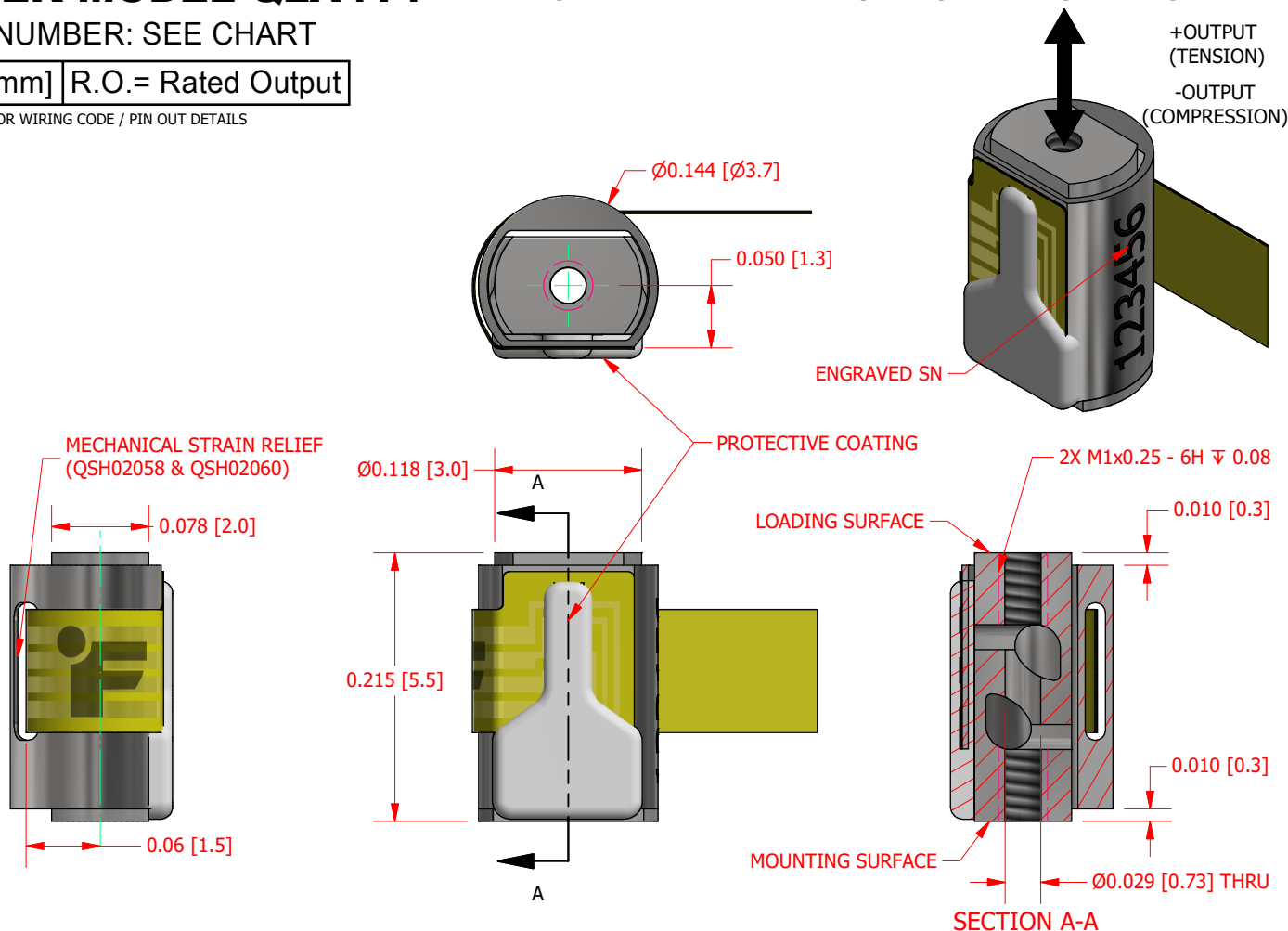


FUTEK MODEL QLA414 NANO IN-LINE THRU HOLE LOAD CELL

ITEM NUMBER: SEE CHART

INCH [mm] | R.O.= Rated Output

*SEE PAGE 2 FOR WIRING CODE / PIN OUT DETAILS



SPECIFICATIONS:

RATED OUTPUT	0.5mV/Vnom
CAPACITY	5 lb. [22.2N]
SAFE OVERLOAD	400% of R.O.
EXCITATION (VDC OR VAC)	2 MAX
BRIDGE RESISTANCE	250 Ω nom
NONLINEARITY	±0.5% of R.O.
HYSTERESIS	±0.5% of R.O.
OPERATING TEMP	-60 to 200 °F (-51 to 93 °C)
WEIGHT (approx)	0.01oz [0.3g]
MATERIAL	17-4 PH.S.S.
DEFLECTION	0.0005 [0.013] nom.
CABLE: SEE CHART	
CALIBRATION TEST EXCITATION	2VDC
CALIBRATION (STD)	5pt. TENSION & COMPRESSION

AVAILABLE INTERCONNECT OPTIONS

(SEE PAGE 2 FOR INTECONNECT DETAILS)

QSH02058	QSH02059	QSH02060

ITEM #	CABLE
QSH02058	0.5MM PITCH FPC FLEX, 3.8 [96] LONG, HORIZONTAL EXIT
QSH02059	0.5MM PITCH FPC FLEX, 4 [100] LONG, VERTICAL EXIT
QSH02060	4X # 36AWG TEFLON WIRES, 3IN LONG, COLOR CODED

CUSTOMER APPROVAL- COMPANY:

CUSTOMER APPROVAL- NAME / DATE:

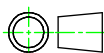
REVISIONS: (Refer to dwg # revision sheet)

OUTLINE DRAWING

STANDARD NOTES: (Unless Otherwise Specified)

ALL DIMENSIONS ARE IN INCHES
DRAWING INTERPRETATION DIMS. PER ASME-Y14.5
REMOVE BURRS AND BREAK SHARP EDGES .005 - .015
THREADS PER HANDBOOK H-28
DIMENSIONS ARE SHOWN AFTER PLATING

3rd ANGLE PROJ.



ANGLE:
± 1/2°

CHAMFER:
± 5°

TOLERANCE:
.X ± 0.1"
.XX ± 0.01"
.XXX ± 0.005"

This drawing is submitted solely for the information and exclusive use of the original addressee. It is not to be divulged in whole or in part, by any firm or individual without written permission from:

FUTEK

ADVANCED SENSOR TECHNOLOGY, INC.
10 THOMAS, IRVINE, CA 92618 USA
Phone: (949) 465-0900
Fax: (949) 465-0905

MODEL: **QLA414**

DWG No.: **FO1496**

DRAWN BY: M. Lisiak

CREATED DATE: 2/20/2019

APPROVED BY: R. Walker

APPROVED DATE: 2/21/2019

CHECKED BY:

CAGE: 1X8M6 SHEET: 1 OF 2

FUTEK MODEL QLA414 NANO IN-LINE THRU HOLE LOAD CELL

ITEM NUMBER: SEE CHART

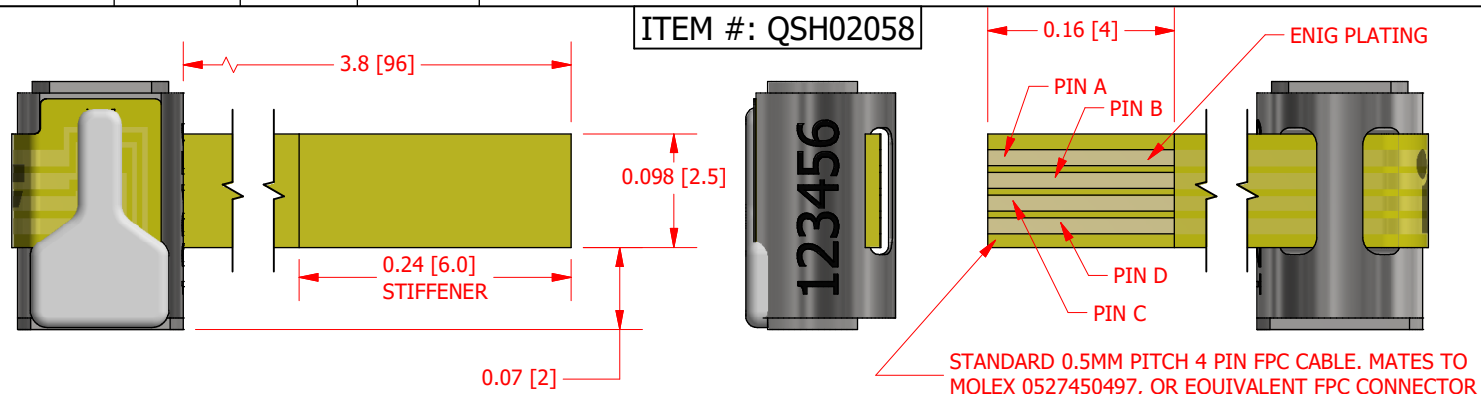
INCH [mm] | R.O.= Rated Output

WIRING CODE

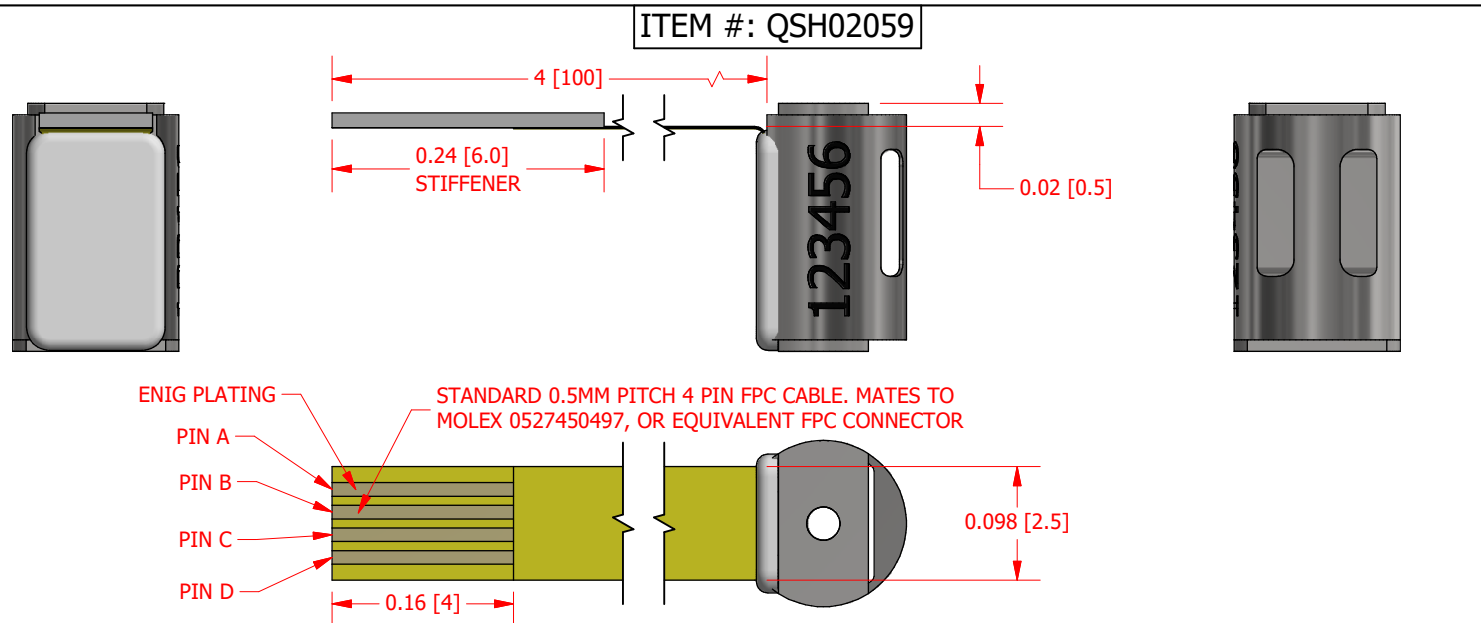
+ Excitation	- Signal	-Excitation	+Signal
RED PIN A	WHITE PIN B	BLACK PIN C	GREEN PIN D

INTERCONNECT OPTIONS

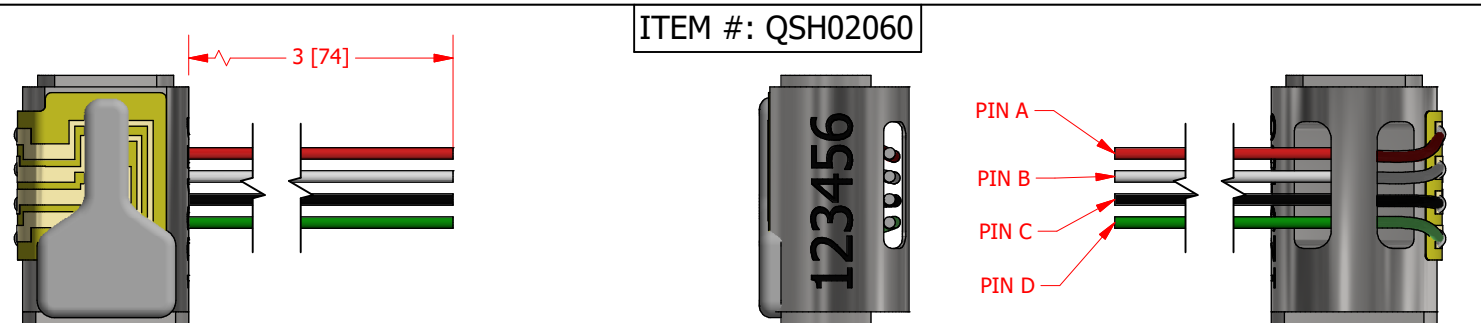
ITEM #: QSH02058



ITEM #: QSH02059



ITEM #: QSH02060



CUSTOMER APPROVAL- COMPANY:

CUSTOMER APPROVAL- NAME / DATE:

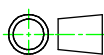
REVISIONS: (Refer to dwg # revision sheet)

OUTLINE DRAWING

STANDARD NOTES: (Unless Otherwise Specified)

ALL DIMENSIONS ARE IN INCHES
DRAWING INTERPRETATION DIMS. PER ASME-Y14.5
REMOVE BURRS AND BREAK SHARP EDGES .005 - .015
THREADS PER HANDBOOK H-28
DIMENSIONS ARE SHOWN AFTER PLATING

3rd ANGLE PROJ.



ANGLE:
± 1/2°

CHAMFER:
± 5°

TOLERANCE:
.X ± 0.1"
.XX ± 0.01"
.XXX ± 0.005"

This drawing is submitted solely for the information and exclusive use of the original addressee. It is not to be divulged in whole or in part, by any firm or individual without written permission from:

FUTEK

ADVANCED SENSOR TECHNOLOGY, INC.
10 THOMAS, IRVINE, CA 92618 USA
Phone: (949) 465-0900
Fax: (949) 465-0905

MODEL: **QLA414**

DWG No.: **FO1496**

DRAWN BY: M. Lisiak

CREATED DATE: 2/20/2019

APPROVED BY: R. Walker

APPROVED DATE: 2/21/2019

CHECKED BY:

CAGE: 1X8M6 SHEET: 2 OF 2