

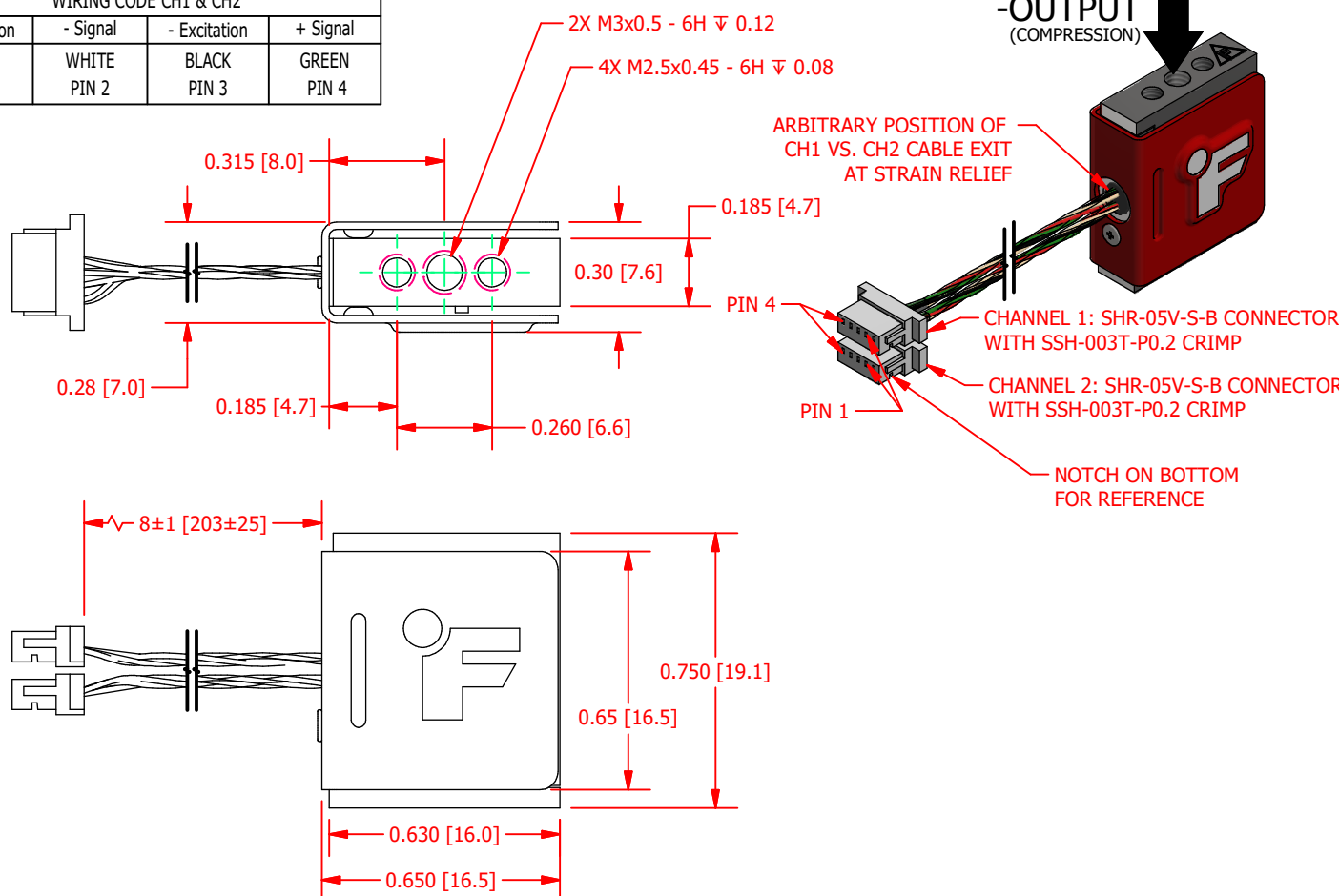
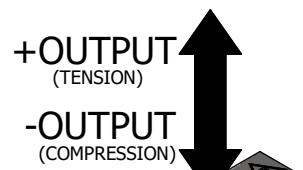
FUTEK MODEL LSB201

CUSTOM DUAL BRIDGE JR S-BEAM LOAD CELL

ITEM NUMBER: QSH02061

INCH [mm] | R.O. = Rated Output

WIRING CODE CH1 & CH2			
+ Excitation	- Signal	- Excitation	+ Signal
RED PIN 1	WHITE PIN 2	BLACK PIN 3	GREEN PIN 4



SPECIFICATIONS:

RATED OUTPUT	1 mV/V nom.
CAPACITY	CH1: 50N, CH2: 50N
SAFE OVERLOAD	800N
ZERO BALANCE	±3% of R.O.
EXCITATION (VDC OR VAC)	10 MAX
BRIDGE RESISTANCE	350 Ω nom
NONLINEARITY	±0.1% of R.O.
HYSTERESIS	±0.1% of R.O.
NONREPEATABILITY	±0.05% of R.O.
TEMP. SHIFT ZERO	±0.01% of R.O./°F (±0.018 of R.O./°C)
TEMP. SHIFT SPAN	±0.01% of LOAD/°F (±0.018 of Load/°C)
COMPENSATED TEMP.	60 to 160°F (15 to 72 °C)
OPERATING TEMP	-60 to 200°F (-50 to -93 °C)
WEIGHT (approx)	0.5 oz [14 g]
MATERIAL	17-4ph S.S. Flexure, Anodized Aluminum (Cover)
CABLE: #29 AWG, 4 Conductor Spiral Teflon Cable, 8" Long with 5 pin SHR-05V-S-B Connector	

PRELIMINARY DRAWING

CUSTOMER APPROVAL- COMPANY:	<h2 style="color: green;">OUTLINE DRAWING</h2>	<p><i>This drawing is submitted solely for the information and exclusive use of the original addressee. It is not to be divulged in whole or in part, by any firm or individual without written permission from:</i></p> <p>FUTEK ADVANCED SENSOR TECHNOLOGY, INC. 10 THOMAS, IRVINE, CA 92618 USA Phone: (949) 465-0900 Fax: (949) 465-0905</p>
CUSTOMER APPROVAL- NAME / DATE:		
REVISIONS: (Refer to dwg # revision sheet)	<p>STANDARD NOTES: (Unless Otherwise Specified)</p> <p>ALL DIMENSIONS ARE IN INCHES DRAWING INTERPRETATION DIMS. PER ASME-Y14.5M REMOVE BURRS AND BREAK SHARP EDGES .005 - .015 THREADS PER HANDBOOK H-28 DIMENSIONS ARE SHOWN AFTER PLATING</p> <p>3rd ANGLE PROJ.</p> <p>ANGLE: ± 1/2" CHAMFER: ± 5" TOLERANCE: .X ± 0.1" .XX ± 0.01" .XXX ± 0.005"</p>	<p>MODEL: LSB201 DWG No.: FO1498</p> <p>DRAWN BY: M. Lisiak CREATED DATE: 4/2/2019</p> <p>APPROVED BY: APPROVED DATE:</p> <p>CHECKED BY: CAGE: 1X8M6 SHEET: 1 OF 1</p>