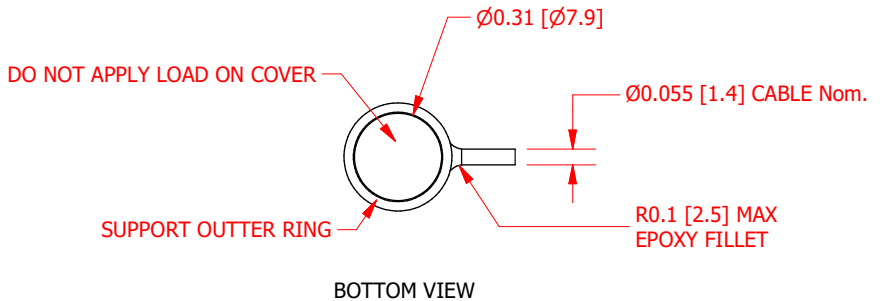
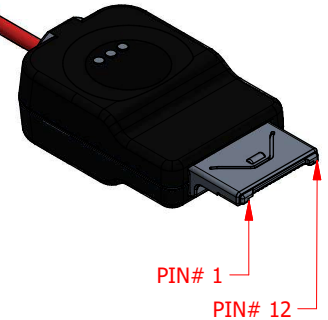
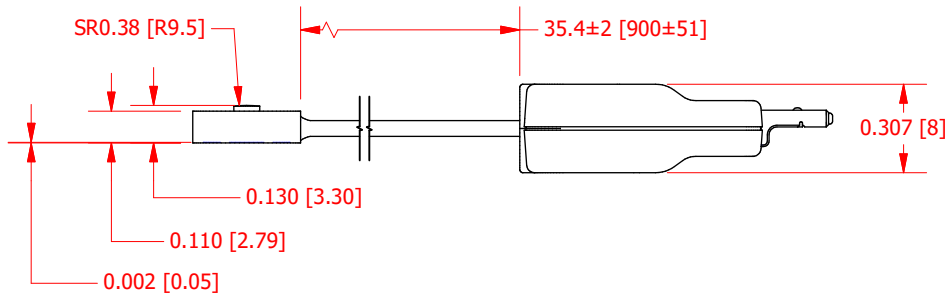
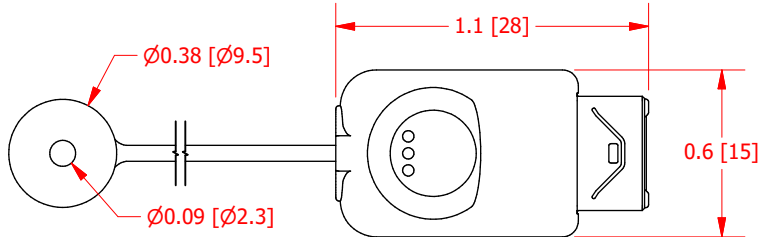
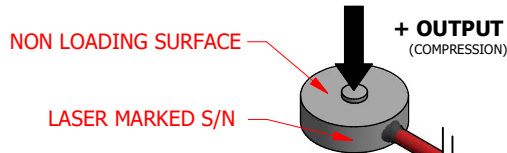


FUTEK MODEL LLB130

CUSTOM SUBMINIATURE LOAD BUTTON LOAD CELL WITH LX40-12P HIROSE CONNECTOR

ITEM NUMBER: QSH02098

INCH [mm]		R.O.= Rated Output	
WIRING CODE			
+ Excitation	- Excitation	+Signal	-Signal
Pin 11	Pin 12	Pin 1	Pin 2



SPECIFICATIONS:

RATED OUTPUT	2 mV/V nom. Δ
CAPACITY	10 lb Δ
SAFE OVERLOAD	150 % of R.O.
ZERO BALANCE	±3% of R.O.
EXCITATION (VDC OR VAC)	7 MAX
BRIDGE RESISTANCE	350 Ω nom.
NONLINEARITY	±0.5% of R.O.
HYSTERESIS	±0.5% of R.O.
NONREPEATABILITY	±0.1% of R.O.
TEMP. SHIFT ZERO	±0.02% of R.O./°F (±0.036 of R.O./°C)
TEMP. SHIFT SPAN	±0.02% of LOAD/°F (±0.036 of LOAD/°C)
COMPENSATED TEMP.	60 to 160 °F (16 to 71 °C)
OPERATING TEMP	-60 to 200 °F (-51 to 93 °C)
WEIGHT (approx)	0.02 lb [8.5 g]
MATERIAL	17-4 P.H.S.S.
DEFLECTION	0.0003 [0.008] nom.
CABLE: #34 AWG 4 Conductor Braided Shielded Cable with Red Polyester Jacket, 900 mm long	
RoHS Lead Free	(EU) 2016/863

OUTLINE DRAWING

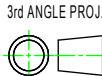
STANDARD NOTES: (Unless Otherwise Specified)

ALL DIMENSIONS ARE IN INCHES
DRAWING INTERPRETATION DIMS. PER ASME-Y14.5
REMOVE BURRS AND BREAK SHARP EDGES .005 - .015
THREADS PER HANDBOOK H-28
DIMENSIONS ARE SHOWN AFTER PLATING

ANGLE:
± 1/2°

CHAMFER:
± 5°

TOLERANCE:
.X ± 0.1"
.XX ± 0.01"
.XXX ± 0.005"



This drawing is submitted solely for the information and exclusive use of the original addressee. It is not to be divulged in whole or in part, by any firm or individual without written permission from:

FUTEK
ADVANCED SENSOR TECHNOLOGY, INC.
10 THOMAS, IRVINE, CA 92618 USA
Phone: (949) 465-0900
Fax: (949) 465-0905

MODEL: LLB130	DWG No.: F01513-A
DRAWN BY: S. VOSOUGH	CREATED DATE: 9/25/2019
APPROVED BY: M. LISIAK	APPROVED DATE: 10/4/2019
CHECKED BY:	CAGE: 1X8M6 SHEET: 1 OF 1

CUSTOMER APPROVAL- COMPANY:	
CUSTOMER APPROVAL- NAME / DATE:	
REVISIONS: (Refer to dwg # revision sheet)	
A	10/8/2019