

FUTEK MODEL QTA141

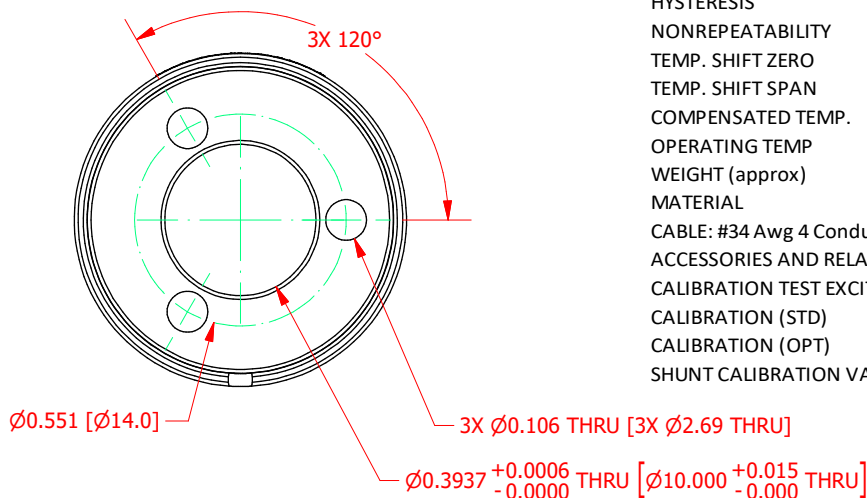
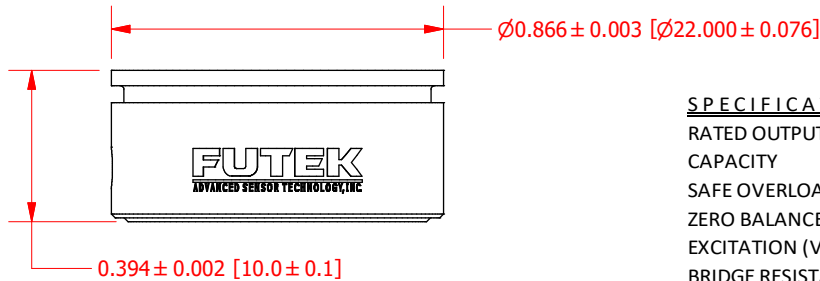
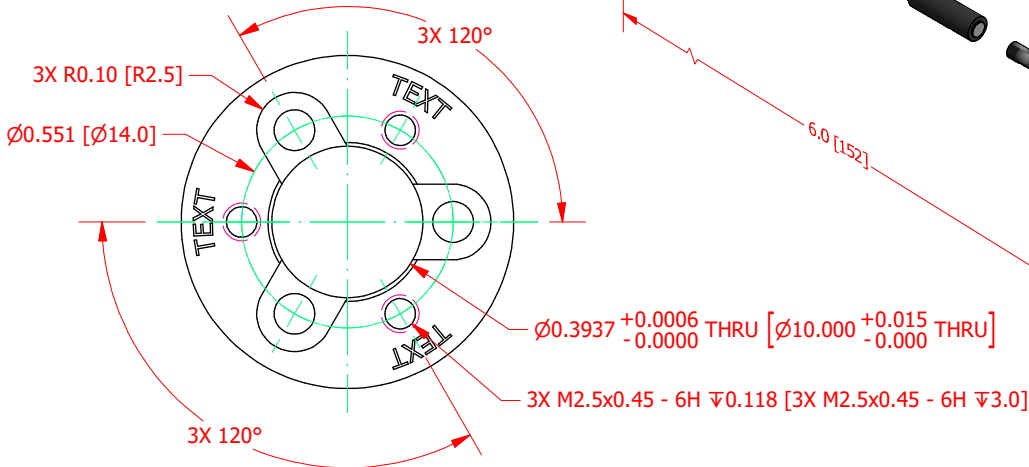
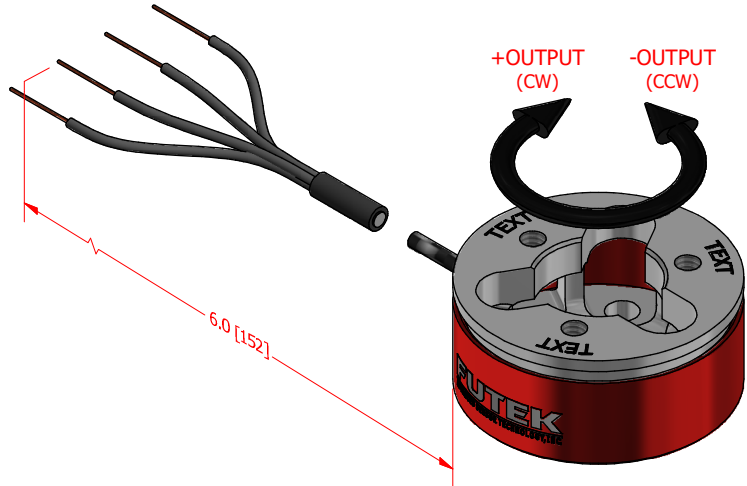
ITEM NUMBER: QSH02117

CUSTOM MICRO REACTION TORQUE SENSOR

INCH [mm] | R.O.= Rated Output

WIRING CODE

+ Excitation	- Excitation	+Signal	-Signal
RED	BLACK	GREEN	WHITE
Shield			
FLOATING			



SPECIFICATIONS:

RATED OUTPUT	1.0 mV/V nom.
CAPACITY	13.3 in.-lb. [1.5 N-m]
SAFE OVERLOAD	200 % of R.O.
ZERO BALANCE	±3% of R.O.
EXCITATION (VDC OR VAC)	7 MAX
BRIDGE RESISTANCE	1000 Ω nom.
NONLINEARITY	±0.5% of R.O.
HYSTERESIS	±0.5% of R.O.
NONREPEATABILITY	±0.2% of R.O.
TEMP. SHIFT ZERO	±0.02% of R.O./°F (±0.036 of R.O./°C)
TEMP. SHIFT SPAN	±0.04% of LOAD/°F (±0.072 of LOAD/°C)
COMPENSATED TEMP.	60 to 160 °F (16 to 71 °C)
OPERATING TEMP	-60 to 200 °F (-51 to 93 °C)
WEIGHT (approx)	0.02 lb [9.1 g]
MATERIAL	ALUMINUM
CABLE: #34 Awg 4 Conductor Braided Shielded Cable, 0.5 ft [0.15 m] Long	
ACCESSORIES AND RELATED INSTRUMENTS AVAILABLE	
CALIBRATION TEST EXCITATION	5 VDC
CALIBRATION (STD)	C of C
CALIBRATION (OPT)	5 pt. CW & CCW
SHUNT CALIBRATION VALUE	301 KOHM

CUSTOMER APPROVAL- COMPANY:

CUSTOMER APPROVAL- NAME / DATE:

REVISIONS: (Refer to dwg # revision sheet)

OUTLINE DRAWING

STANDARD NOTES: (Unless Otherwise Specified)

ALL DIMENSIONS ARE IN INCHES

DRAWING INTERPRETATION DIMS. PER ASME-Y14.5

REMOVE BURRS AND BREAK SHARP EDGES .005 - .015

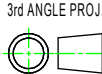
THREADS PER HANDBOOK H-28

DIMENSIONS ARE SHOWN AFTER PLATING

ANGLE:
± 1/2°

CHAMFER:
± 5°

TOLERANCE:
.X ± 0.1"
.XX ± 0.01"
.XXX ± 0.005"



This drawing is submitted solely for the information and exclusive use of the original addressee. It is not to be divulged in whole or in part, by any firm or individual without written permission from:

FUTEK

ADVANCED SENSOR TECHNOLOGY, INC.

10 THOMAS, IRVINE, CA 92618 USA

Phone: (949) 465-0900

Fax: (949) 465-0905

MODEL: **QTA141**

DWG No.: **FO1526**

DRAWN BY: J. RUIZ

CREATED DATE: 1/24/2020

APPROVED BY: J. PARK

APPROVED DATE: 3/11/2020

CHECKED BY:

CAGE: 1X8M6 SHEET: 1 OF 1