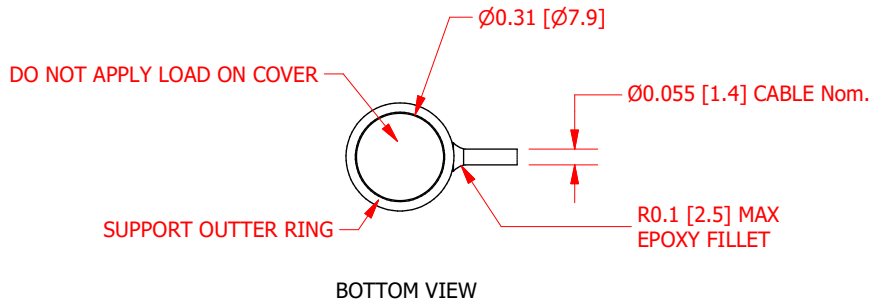
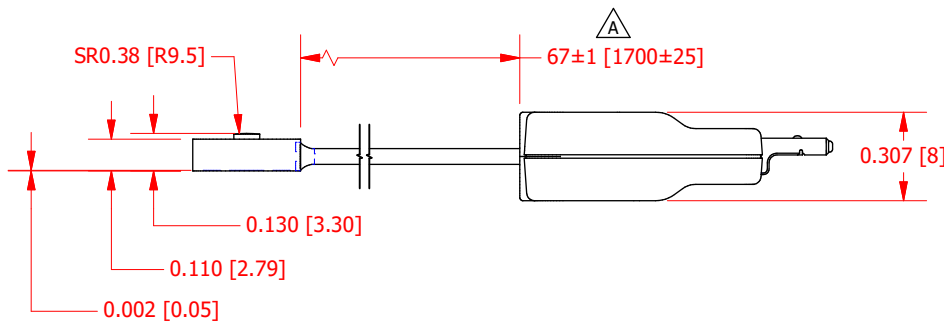
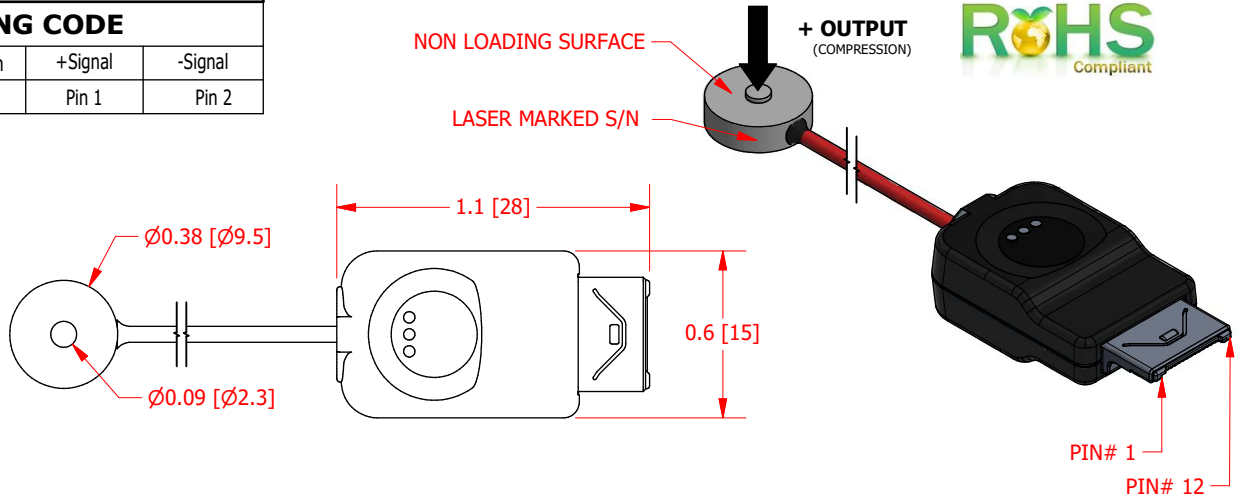


FUTEK MODEL

ITEM NUMBER: QSH02152

CUSTOM SUBMINIATURE LOAD BUTTON LOAD CELL WITH LX40-12P HIROSE CONNECTOR

INCH [mm]		R.O.= Rated Output	
WIRING CODE			
+ Excitation	- Excitation	+Signal	-Signal
Pin 11	Pin 12	Pin 1	Pin 2



SPECIFICATIONS:

RATED OUTPUT	2 mV/V nom
CAPACITY	10 lb
SAFE OVERLOAD	150 % of R.O.
ZERO BALANCE	±3% of R.O.
EXCITATION (VDC OR VAC)	7 MAX
BRIDGE RESISTANCE	350 Ω nom
NONLINEARITY	±0.5% of R.O.
HYSTERESIS	±0.5% of R.O.
NONREPEATABILITY	±0.1% of R.O.
TEMP. SHIFT ZERO	±0.02% of R.O./°F (±0.036 of R.O./°C)
TEMP. SHIFT SPAN	±0.02% of LOAD/°F (±0.036 of LOAD/°C)
COMPENSATED TEMP.	60 to 160 °F (16 to 71 °C)
OPERATING TEMP	-60 to 200 °F (-51 to 93 °C)
WEIGHT (approx)	0.02 lb [8.5 g]
MATERIAL	17-4 PH.S.S.
DEFLECTION	0.0003 [0.008] nom

CABLE: #34 AWG 4 Conductor Braided Shielded Cable with Red Polyester Jacket, 1700 mm long \triangle
 RoHS Lead Free (EU) 2016/863

CUSTOMER APPROVAL- COMPANY:	<h1>OUTLINE DRAWING</h1>	This drawing is submitted solely for the information and exclusive use of the original addressee. It is not to be divulged in whole or in part, by any firm or individual without written permission from: FUTEK ADVANCED SENSOR TECHNOLOGY, INC. 10 THOMAS, IRVINE, CA 92618 USA Phone: (949) 465-0900 Fax: (949) 465-0905
CUSTOMER APPROVAL- NAME / DATE:		
REVISIONS: (Refer to dwg # revision sheet)	STANDARD NOTES: (Unless Otherwise Specified) ALL DIMENSIONS ARE IN INCHES DRAWING INTERPRETATION DIMS. PER ASME-Y14.5 REMOVE BURRS AND BREAK SHARP EDGES .005 - .015 THREADS PER HANDBOOK H-28 DIMENSIONS ARE SHOWN AFTER PLATING 3rd ANGLE PROJ.	MODEL: _____ DWG No.: FO1538-A
A 2/9/2021	ANGLE: ± 1/2" CHAMFER: ± 5" TOLERANCE: .X ± 0.1" .XX ± 0.01" .XXX ± 0.005"	DRAWN BY: M.LISIAK APPROVED BY: S.VOSOUGH CHECKED BY: _____
		CREATED DATE: 5/21/2020 APPROVED DATE: 5/21/2020 CAGE: 1X8M6 SHEET: 1 OF 1