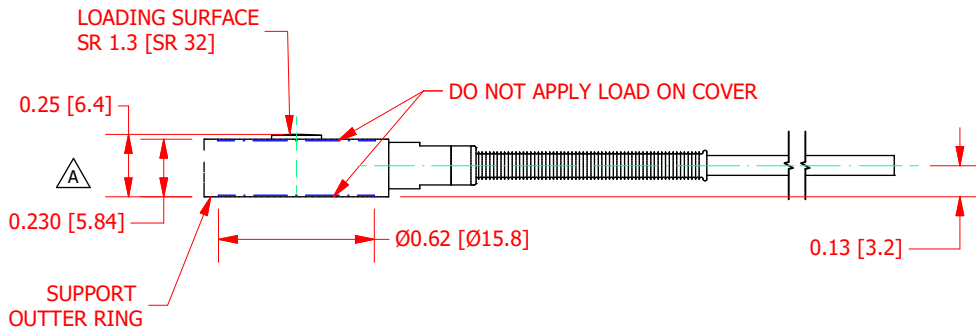
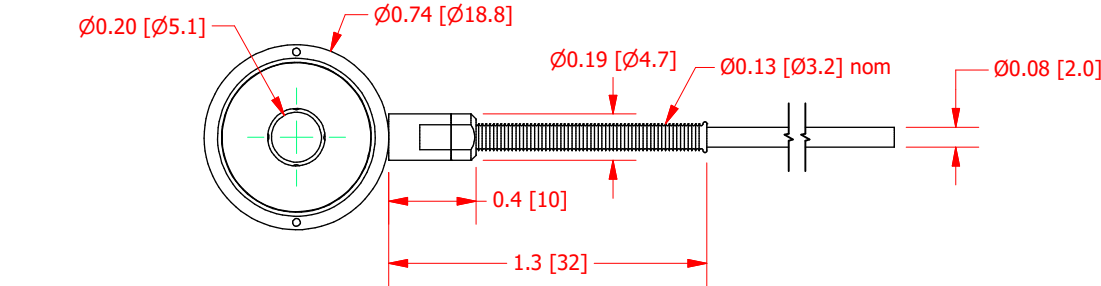
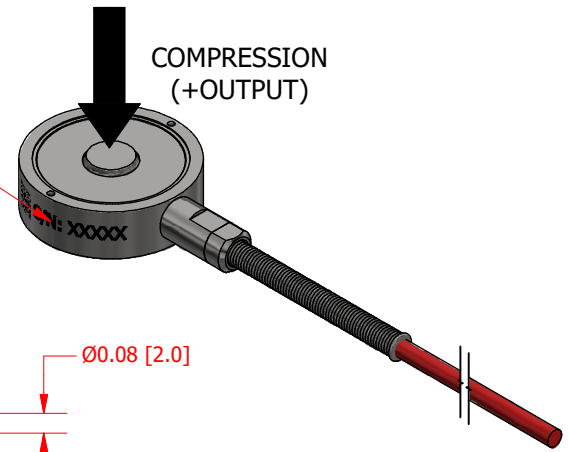


FUTEK MODEL LLB300 CUSTOM SUBMINIATURE LOAD BUTTON

COLD & VACUUM RATED

ITEM NUMBER: QSH02165

INCH [mm]		R.O.= Rated Output	
WIRING CODE			
+ Excitation	- Excitation	+Signal	-Signal
RED	BLACK	GREEN	WHITE
Shield			
FLOATING			



SPECIFICATIONS:

RATED OUTPUT	2 mV/V nom.
CAPACITY	1000 lb. [4440N]
SAFE OVERLOAD	150 % of R.O.
ZERO BALANCE	±3% of R.O.
EXCITATION (VDC OR VAC)	18 MAX
BRIDGE RESISTANCE	700 Ω nom.
NONLINEARITY	±0.5% of R.O.
HYSTERESIS	±0.5% of R.O.
NONREPEATABILITY	±0.1% of R.O.
TEMP. SHIFT ZERO	±0.01% of R.O./°F (±0.018 of R.O./°C)
TEMP. SHIFT SPAN	±0.02% of LOAD/°F (±0.036 of LOAD/°C)
COMPENSATED TEMP.	-49 to 122 °F (-45 to 50 °C)
OPERATING TEMP	-67 to 167 °F (-55 to 75 °C)
WEIGHT (approx)	0.08 lb [34 g]
MATERIAL	15-5 PH.S.S.
DEFLECTION	0.001 [0.025] nom.
CABLE: #29 AWG 4 Conductor Spiral Shielded Teflon Cable, 10 ft [3 m] Long	

CUSTOMER APPROVAL- COMPANY:	<h1>OUTLINE DRAWING</h1>	<p><i>This drawing is submitted solely for the information and exclusive use of the original addressee. It is not to be divulged in whole or in part, by any firm or individual without written permission from:</i></p> <p>FUTEK ADVANCED SENSOR TECHNOLOGY, INC. 10 THOMAS, IRVINE, CA 92618 USA Phone: (949) 465-0900 Fax: (949) 465-0905</p>
CUSTOMER APPROVAL- NAME / DATE:		
REVISIONS: (Refer to dwg # revision sheet)	<p>STANDARD NOTES: (Unless Otherwise Specified)</p> <p>ALL DIMENSIONS ARE IN INCHES</p> <p>DRAWING INTERPRETATION DIMS. PER ASME-Y14.5</p> <p>REMOVE BURRS AND BREAK SHARP EDGES .005 - .015</p> <p>THREADS PER HANDBOOK H-28</p> <p>DIMENSIONS ARE SHOWN AFTER PLATING</p> <p>3rd ANGLE PROJ.</p> <p>ANGLE: ± 1/2°</p> <p>CHAMFER: ± 5°</p> <p>TOLERANCE: .X ± 0.1" .XX ± 0.01" .XXX ± 0.005"</p>	<p>MODEL: LLB300 DWG No.: FO1543-A</p> <p>DRAWN BY: M. Lisiak CREATED DATE: 8/19/2020</p> <p>APPROVED BY: S. Vosough APPROVED DATE: 8/19/2020</p> <p>CHECKED BY: CAGE: 1X8M6 SHEET: 1 OF 1</p>
A 9/2/2020		