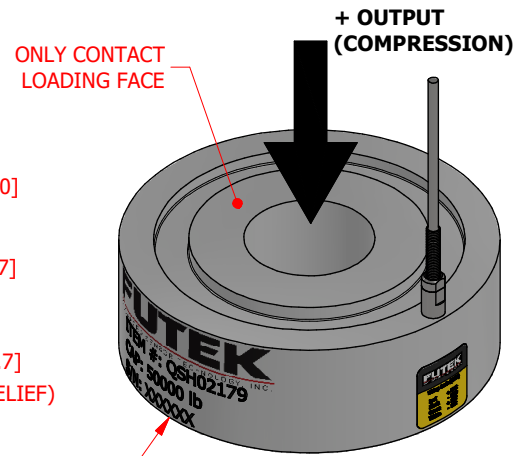
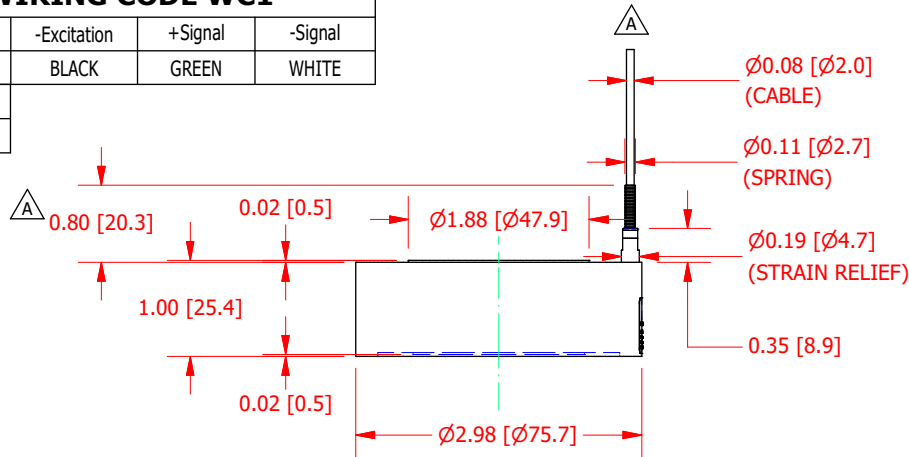


# FUTEK MODEL LTH500

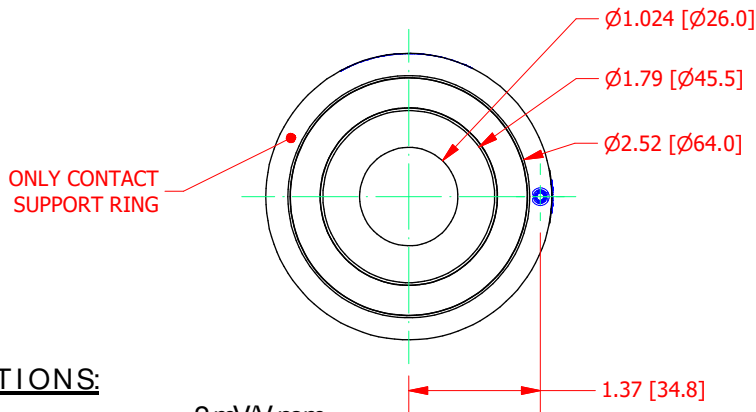
## Thru Hole Donut Load Cell with Axial Cable Exit

ITEM NUMBER: QSH02179

INCH [mm]		R.O.= Rated Output	
<b>WIRING CODE WC1</b>			
+ Excitation	-Excitation	+Signal	-Signal
RED	BLACK	GREEN	WHITE
Shield			
FLOATING			



LASER MARK THE FOLLOWING:  
FUTEK LOGO/ICON, ITEM #, CAPACITY, S/N



### SPECIFICATIONS:

RATED OUTPUT	2 mV/V nom.
CAPACITY	50000 lb. [222000N]
SAFE OVERLOAD	150 % of R.O.
EXCITATION (VDC OR VAC)	18 MAX
BRIDGE RESISTANCE	700 Ω nom.
NONLINEARITY	±0.5% of R.O.
HYSTERESIS	±0.5% of R.O.
NONREPEATABILITY	±0.5% of R.O.
TEMP. SHIFT ZERO	±0.005% of R.O./°F (±0.009 of R.O./°C)
TEMP. SHIFT SPAN	±0.005% of LOAD/°F (±0.009 of LOAD/°C)
COMPENSATED TEMP.	60 to 160 °F (16 to 71 °C)
OPERATING TEMP	-40 to 200 °F (-40 to 93 °C)
WEIGHT (approx)	1.38 lb [627.6 g] $\triangle$
MATERIAL	17-4 PH.S.S.
DEFLECTION	0.002" [0.051mm] nom.
CABLE: #29 Awg, 4 Conductor Spiral Shielded Cable , 10 ft [3 m] Long	

CUSTOMER APPROVAL- COMPANY:	
CUSTOMER APPROVAL- NAME / DATE:	
REVISIONS: (Refer to dwg # revision sheet)	
A	11/20/2020

## OUTLINE DRAWING

STANDARD NOTES: (Unless Otherwise Specified)

ALL DIMENSIONS ARE IN INCHES  
DRAWING INTERPRETATION DIMS. PER ASME-Y14.5  
REMOVE BURRS AND BREAK SHARP EDGES .005 - .015

THREADS PER HANDBOOK H-28  
DIMENSIONS ARE SHOWN AFTER PLATING

3rd ANGLE PROJ.

ANGLE: ± 1/2°  
CHAMFER: ± 5°  
TOLERANCE:  
.X ± 0.1"  
.XX ± 0.01"  
.XXX ± 0.005"

This drawing is submitted solely for the information and exclusive use of the original addressee. It is not to be divulged in whole or in part, by any firm or individual without written permission from:

## FUTEK

ADVANCED SENSOR TECHNOLOGY, INC.  
10 THOMAS, IRVINE, CA 92618 USA  
Phone: (949) 465-0900  
Fax: (949) 465-0905

MODEL: <b>LTH500</b>	DWG No.: <b>FO1548-A</b>
DRAWN BY: Y. GUERRERO	CREATED DATE: 11/17/2020
APPROVED BY: R. WALKER	APPROVED DATE: 11/19/2020
CHECKED BY:	CAGE: 1X8M6 SHEET: 1 OF 1