

FUTEK MODEL QTA138

ITEM NUMBER: QSH01843

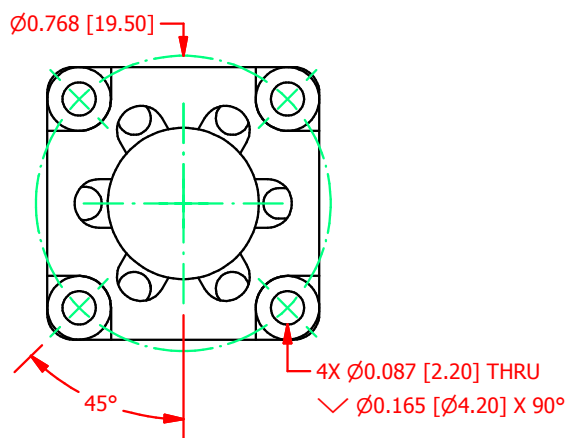
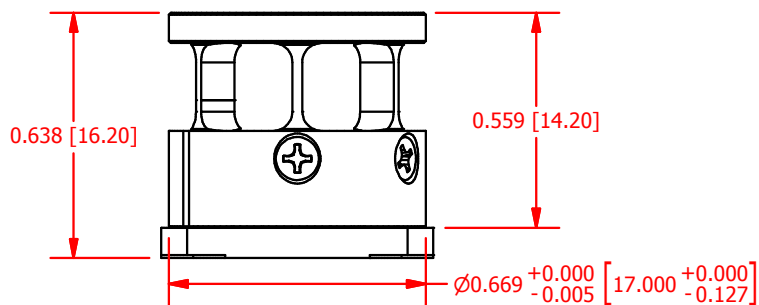
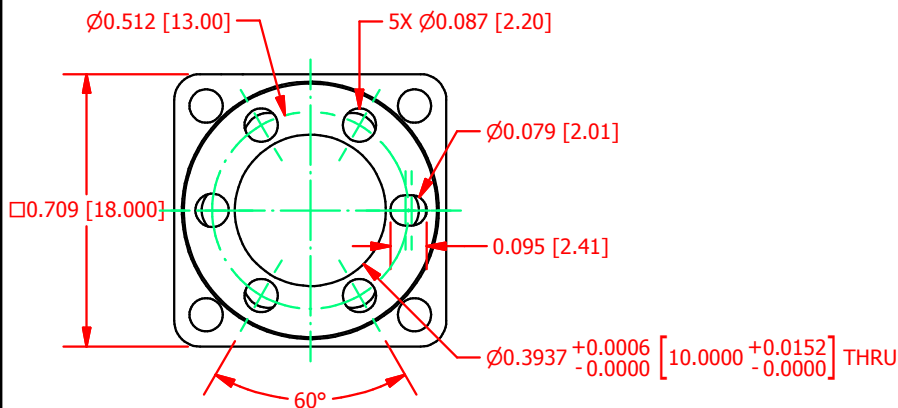
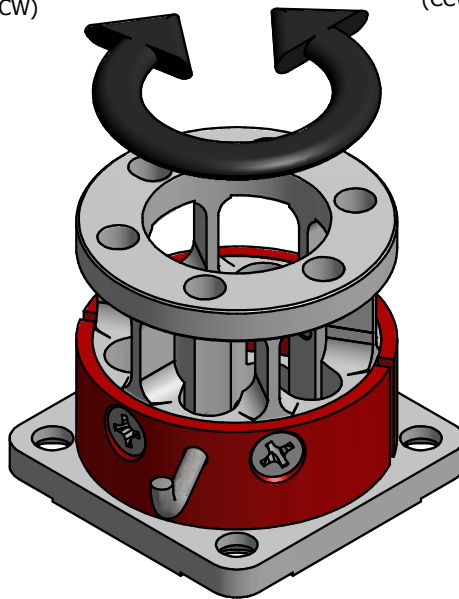
CUSTOM MINIATURE REACTION TORQUE SENSOR



INCH [mm]		R.O. = Rated Output	
WIRING CODE			
+ EXCITATION	- EXCITATION	+ SIGNAL	- SIGNAL
RED	BLACK	GREEN	WHITE
SHIELD			
FLOATING			

+ OUTPUT (CW)

- OUTPUT (CCW)



SPECIFICATIONS:

RATED OUTPUT	1 mV/V nom.
CAPACITY	3.1 lb. [0.35Nm]
SAFE OVERLOAD	150 % of R.O.
ZERO BALANCE	±3% of R.O.
EXCITATION (VDC OR VAC)	7 MAX
BRIDGE RESISTANCE	350 Ω nom.
NONLINEARITY	±0.5% of R.O.
HYSTERESIS	±0.5% of R.O.
NONREPEATABILITY	±0.2% of R.O.
TEMP. SHIFT ZERO	±0.2% of R.O./°F (±0.36 of R.O./°C)
TEMP. SHIFT SPAN	±0.4% of LOAD/°F (±0.72 of LOAD/°C)
COMPENSATED TEMP.	60 to 160 °F (16 to 71 °C)
OPERATING TEMP	-60 to 80 °F (-51 to 93 °C)
WEIGHT (approx)	0.021 lb [9.1 g]
MATERIAL (Flexure)	Aluminum 2024-T4
MATERIAL (Cover)	Anodized Aluminum
CABLE: #34 Awg 4 Conductor Braided Shielded Cable, 0.5 ft [0.15 m] Long	
ACCESSORIES AND RELATED INSTRUMENTS AVAILABLE	
CALIBRATION TEST EXCITATION	5 VDC
CALIBRATION (STD)	C of C
CALIBRATION (OPT)	5 pt. CW & CCW

Preliminary Drawing

CUSTOMER APPROVAL- COMPANY:	
CUSTOMER APPROVAL- NAME / DATE:	
REVISIONS: (Refer to dwg # revision sheet)	

OUTLINE DRAWING

STANDARD NOTES: (Unless Otherwise Specified)

ALL DIMENSIONS ARE IN INCHES
DRAWING INTERPRETATION DIMS. PER ASME-Y14.5M
REMOVE BURRS AND BREAK SHARP EDGES .005 - .015
THREADS PER HANDBOOK H-28
DIMENSIONS ARE SHOWN AFTER PLATING

3rd ANGLE PROJ.

ANGLE: ± 1/2"
CHAMFER: ± 5"
TOLERANCE:
.X ± 0.1"
.XX ± 0.01"
.XXX ± 0.005"

This drawing is submitted solely for the information and exclusive use of the original addressee. It is not to be divulged in whole or in part, by any firm or individual without written permission from:

FUTEK
ADVANCED SENSOR TECHNOLOGY, INC.
10 THOMAS, IRVINE, CA 92618 USA
Phone: (949) 465-0900
Fax: (949) 465-0905

MODEL: QTA138	DWG No.: FO1421
DRAWN BY: G. ZINZUN	CREATED DATE: 4/1/2016
APPROVED BY: _____	APPROVED DATE:
CHECKED BY:	CAGE: 1X8M6 SHEET: 1 OF 1