

Terms and Conditions of Use

This drawing, including all information depicted herein (collectively, "Drawing"), is FUTEK's property and protected under applicable law, including copyright. FUTEK reserves all rights. The Drawing is provided solely for your information and exclusive use. **Except as expressly approved by FUTEK in writing, you may not reproduce or share this Drawing**, in whole or part, with any other firm or individual, or attempt to reverse engineer the Drawing or data contained therein. Any reproduction of this Drawing in whole or part must include this legend.

By accessing the Drawing, you agree that you have read, understand, and agree to abide by the stated Terms and Conditions of Use.

© 2023 FUTEK Advanced Sensor Technology, Inc.



FEATURES

- 5 times smaller than conventional torque sensors
- 10 times more accurate than current loop torque measurement
- Sized to mount to precision servo motors

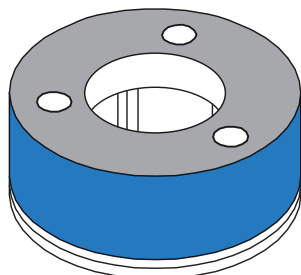
 Non-loading surface, do not contact

 Active End

 Fixed End

+ Output (CW)

- Output (CCW)



SPECIFICATIONS

PERFORMANCE

Nonlinearity $\pm 0.5\%$ of RO

Nonrepeatability $\pm 0.2\%$ of RO

ELECTRICAL

Rated Output (RO) 1.6 mV/V nom [1 Nm]
1.4 mV/V nom [2 Nm]

Excitation (VDC or VAC) 7 max

Bridge Resistance 350 Ohm nom [1 Nm]
1000 Ohm nom [2 Nm]

Connection #34 AWG, 4 conductor, braided shielded cable
0.5 ft [0.15 m] long

Wiring Code WC1

MECHANICAL

Weight 0.02 lb [9.1 g]

Safe Overload 150% of RO [1 Nm]
150% of RO [2 Nm]

Material Aluminum

IP Rating IP20

TEMPERATURE

Operating Temperature -60 to 200°F [-51 to +93°C]

Compensated Temperature 60 to 160°F [16 to 71°C]

Temperature Shift Zero $\pm 0.02\%$ of RO/°F [$\pm 0.036\%$ of RO/°C]

Temperature Shift Span $\pm 0.04\%$ of LOAD/°F [$\pm 0.072\%$ of LOAD/°C]

CALIBRATION

Calibration Test Excitation 5 VDC

Calibration (standard) Certificate of Conformity

Calibration (available) 5-pt CW & CCW

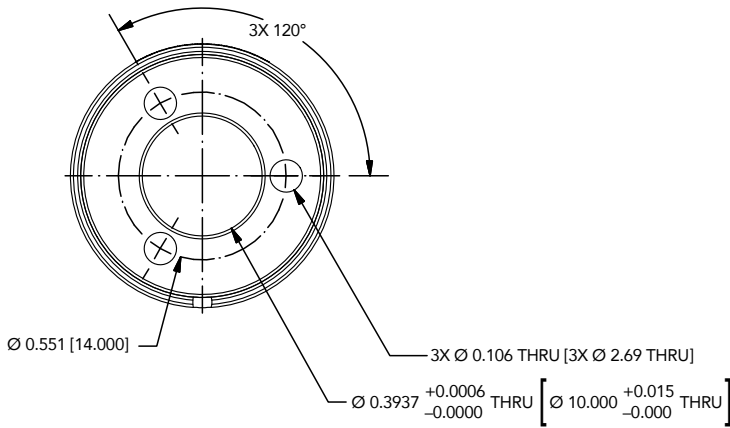
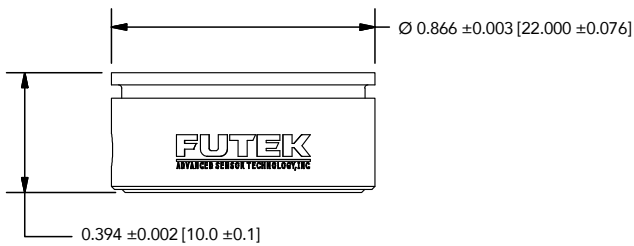
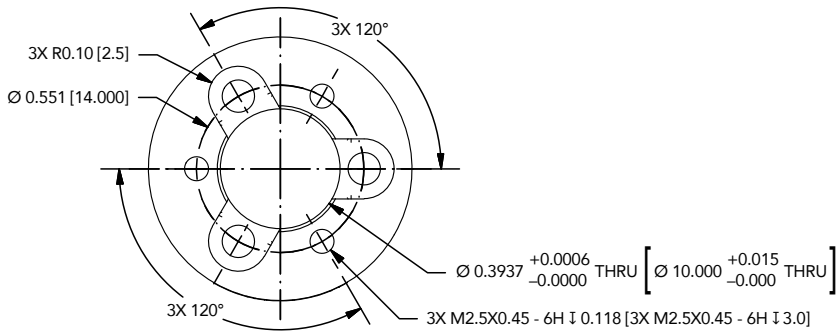
Shunt Calibration Value 60.4 kOhm [1 Nm]
200 kOhm [2 Nm]

CONFORMITY

RoHS EU 2015/863

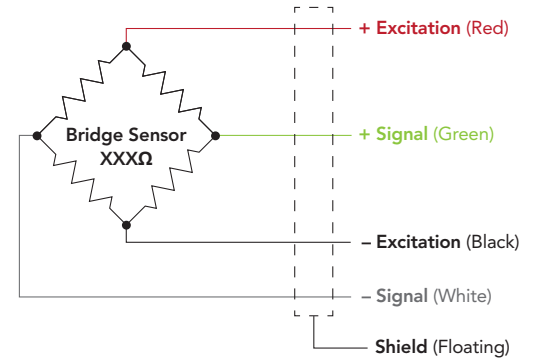
CE EN55011; EN61326-1

DIMENSIONS inches [mm]



WIRING CODE WC1

RED	+ EXCITATION
BLACK	- EXCITATION
GREEN	+ SIGNAL
WHITE	- SIGNAL
SHIELD	FLOATING



CAPACITIES

ITEM #	in-lb	Nm	Torsional Stiffness (in-lb/rad)	Natural Frequency (Hz)
QSH02113	8.9	1	3600	7700
QSH02116	17.7	2	10600	13550

Drawing Number: F11423-C

FUTEK reserves the right to modify its design and specifications without notice. Please visit www.futek.com/salesterms for complete terms and conditions.

10 Thomas, Irvine, CA 92618 USA
Tel: (949) 465-0900

www.futek.com



R0HS



U.S. Manufacturer