

Terms and Conditions of Use

This drawing, including all information depicted herein (collectively, "Drawing"), is FUTEK's property and protected under applicable law, including copyright. FUTEK reserves all rights. The Drawing is provided solely for your information and exclusive use. **Except as expressly approved by FUTEK in writing, you may not reproduce or share this Drawing**, in whole or part, with any other firm or individual, or attempt to reverse engineer the Drawing or data contained therein. Any reproduction of this Drawing in whole or part must include this legend.

By accessing the Drawing, you agree that you have read, understand, and agree to abide by the stated Terms and Conditions of Use.

© 2023 FUTEK Advanced Sensor Technology, Inc.

FUTEK MODEL QTA142

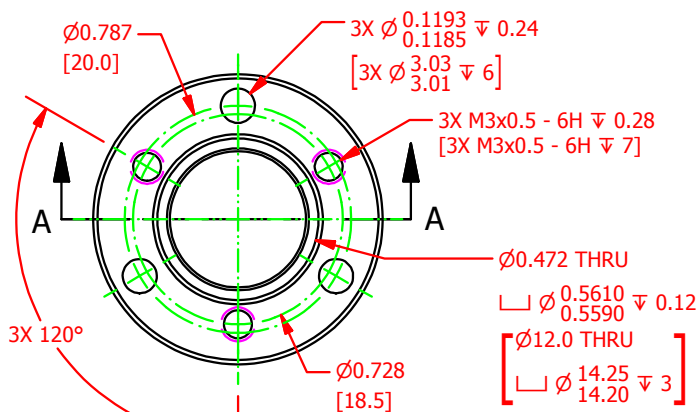
CUSTOM HIGH TEMPERATURE REACTION TORQUE SENSOR

ITEM NUMBER: QSH01864

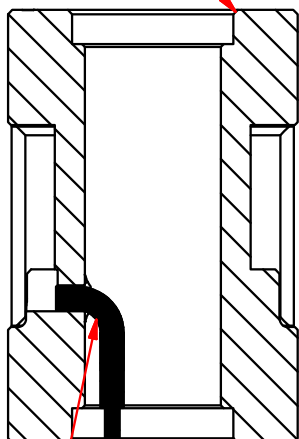


-OUTPUT (CCW) +OUTPUT (CW)

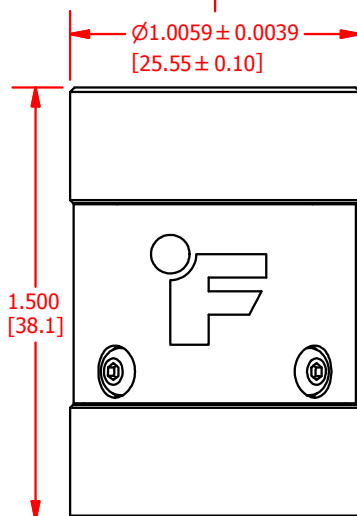
INCH [mm]		R.O. = Rated Output	
WIRING CODE (WC1)			
+ Excitation	-Excitation	+ Signal	- Signal
RED	BLACK	GREEN	WHITE
Shield			
Floating			



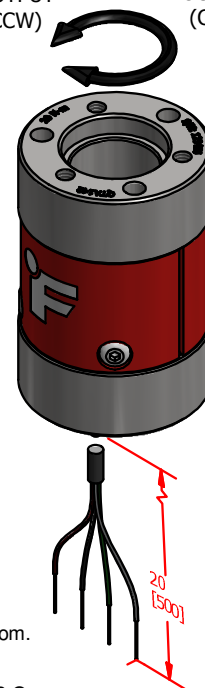
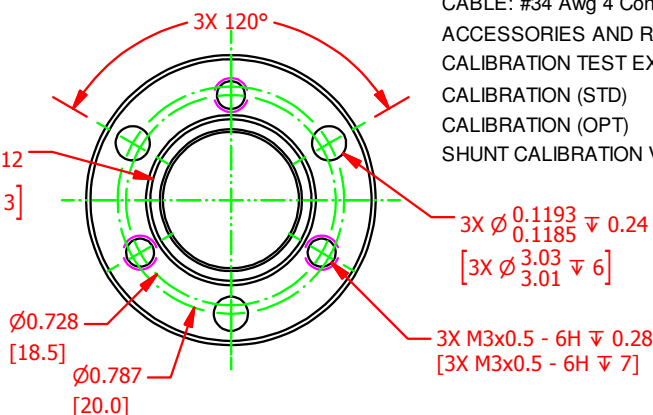
4X 0.02 X 45°
[4X 0.4 X 45°]



R0.112 [2.8] Cable Exit
SECTION A-A
(0.050) [1.3]



0.5610 +/- 0.12
0.5590 +/- 0.12
14.25 +/- 3
14.20 +/- 3



SPECIFICATIONS:

RATED OUTPUT	2 mV/V nom.
CAPACITY	20 N-m
SAFE OVERLOAD	150% of R.O.
ZERO BALANCE	±3% of R.O.
EXCITATION (VDC OR VAC)	10 max
BRIDGE RESISTANCE	700 Ω nom.
NONLINEARITY	±0.2% of R.O.
HYSTERESIS	±0.2% of R.O.
NONREPEATABILITY	±0.1% of R.O.
TEMP. SHIFT ZERO	±0.01% of R.O./°F (0.018% of R.O./°C)
TEMP. SHIFT SPAN	±0.01% of Load/°F (0.018% of Load/°C)
COMPENSATED TEMP.	60 to 365°F (15 to 185°C)
OPERATING TEMP	-60 to 365°F (-50 to 185°C)
WEIGHT (approx)	3 oz [85 g]
MATERIAL (Flexure)	Stainless steel
MATERIAL (Cover)	Anodized Aluminum
CABLE: #34 Awg 4 Conductor Braided Shielded Cable, 20 in [0.5 m] Long	
ACCESSORIES AND RELATED INSTRUMENTS AVAILABLE	
CALIBRATION TEST EXCITATION	5 VDC
CALIBRATION (STD)	Certificate of Conformance
CALIBRATION (OPT)	5 pt. CW & CCW
SHUNT CALIBRATION VALUE	100 kΩ

CUSTOMER APPROVAL- COMPANY:

OUTLINE DRAWING

FUTEK

This drawing, including all information depicted herein (collectively, "Drawing"), is FUTEK's property and protected under applicable law, including copyright. FUTEK reserves all rights. The Drawing is provided solely for your information and exclusive use. Except as expressly approved by FUTEK in writing, you may not reproduce or share this Drawing in whole or part with any other firm or individual, or attempt to reverse engineer the Drawing or data contained therein. Any reproduction of this Drawing in whole or part must include this legend.

CUSTOMER APPROVAL- NAME / DATE:

STANDARD NOTES: (Unless Otherwise Specified)

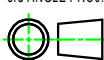
REVISIONS: (Refer to dwg # revision sheet)

ALL DIMENSIONS ARE IN INCHES
DRAWING INTERPRETATION DIMS. PER ASME-Y14.5M
REMOVE BURRS AND BREAK SHARP EDGES .005 - .015
THREADS PER HANDBOOK H-28
DIMENSIONS ARE SHOWN AFTER PLATING

ANGLE:
± 1/2°

CHAMFER:
± 5°

TOLERANCE:
.X ± 0.1"
.XX ± 0.01"
.XXX ± 0.005"



MODEL: **QTA142**

DWG No.: **FO1431-A**

DRAWN BY: J. RUIZ

CREATED DATE: 8/24/2016

APPROVED BY: J. PARK

APPROVED DATE: 8/31/2016

CHECKED BY:

CAGE: 1X8M6 SHEET: 1 OF 1

A 9/6/2016